

# MAPEPROOF FBH DRAWING LIST

## VERTICAL APPLICATIONS

### *MAPEPROOF FBH / MAPETHENE TIE-IN*

- FBH-1A FOUNDATION WALL - FLOOR SLAB AT FOOTING LEVEL (OPTION 1)
- FBH-1B FOUNDATION WALL - FLOOR SLAB AT FOOTING LEVEL (OPTION 2)
- FBH-1C FOUNDATION WALL - FLOOR SLAB AT FOOTING LEVEL WITH INSULATION.
- FBH-1D FOUNDATION WALL / MAT SLAB.
- FBH-1E FOUNDATION WALL - ELEVATED FLOOR SLAB (OPTION 1)
- FBH-1F FOUNDATION WALL - ELEVATED FLOOR SLAB (OPTION 2)

### *MAPEPROOF FBH / MASEAL TIE-IN*

- FBH-1G FOUNDATION WALL - FLOOR SLAB AT FOOTING LEVEL (OPTION 1)
- FBH-1H FOUNDATION WALL - FLOOR SLAB AT FOOTING LEVEL (OPTION 2)
- FBH-1I FOUNDATION WALL - FLOOR SLAB AT FOOTING LEVEL WITH INSULATION.
- FBH-1J FOUNDATION WALL / MAT SLAB.
- FBH-1K FOUNDATION WALL - ELEVATED FLOOR SLAB (OPTION 1)
- FBH-1L FOUNDATION WALL - ELEVATED FLOOR SLAB (OPTION 2)

### *SUPPORTIVE EXCAVATION FBH*

- FBH-1M BLINDSIDE WALL / SLAB TRANSITION.
- FBH-1N LAGGING WITH SOLDIER BEAM.
- FBH-1O SEACANT PILES AUGERED OR CAISSON SHEET PILES.
- FBH-1P SHEET PILES

## HORIZONTAL APPLICATIONS

- FBH-2A UNDERSLAB APPLICATION ON COMPACTED STONE.
- FBH-2B UNDERSLAB APPLICATION ON COMPACTED EARTH.
- FBH-2C UNDERSLAB APPLICATION ON MUD SLAB.
- FBH-2D UNDERSLAB APPLICATION ON DRAINAGE COMPOSITE.

## JOINTS

- FBH-3A CONCRETE WALL CONSTRUCTION JOINT.
- FBH-3B CONCRETE SLAB CONSTRUCTION JOINT.

## CORNERS

- FBH-4A WALL OUTSIDE CORNER.
- FBH-4B ALTERNATE WALL OUTSIDE CORNER.

## END LAPS

- FBH-5A END LAP - VERTICAL OR HORIZONTAL.

## PENETRATIONS

- FBH-6A SLAB PENETRATION.
- FBH-6B WALL PENETRATION.
- FBH-6C REBAR, THREADED-ROD, NELSON STUD.
- FBH-6D STRAIGHT EDGE PENETRATION / TERMINATION (RAKER, WALTER, BEAM, COLUMN)

## TIE-BACK COVERS

- FBH-7A PRE-FABRICATED METAL TIE-BACK COVER SPECS.
- FBH-7B PRE-FABRICATED METAL TIE-BACK COVER INSTALLATION.

## PILE CAPS / PILE HEADS

- FBH-8A PILE CAP - NON-HYDROSTATIC.
- FBH-8B PILE CAP - HYDROSTATIC.
- FBH-8C PILE HEAD - NON-HYDROSTATIC.
- FBH-8D PILE HEAD - HYDROSTATIC.

## MISC.TIE-IN DETAILS

- FBH-9A DECK / FOUNDATION WALL MAPETHENE TO MAPEPROOF FBH TIE-IN.
- FBH-9B FOUNDATION WALL MAPETHENE TO MAPEPROOF FBH TIE-IN.
- FBH-9C MAPEPROOF FBH TIE-IN TO EXISTING MAPETHENE OR MAPEPROOF FBH.

**POLYGLASS**



**polyglass.us**

1111 West Newport Center Drive  
Deerfield Beach, FL 33442  
Technical Service: (866) 794-9659  
technical@polyglass.com

Description:

# MAPEPROOF FBH DRAWING LIST

DETAILS ARE INTENDED TO BE A GUIDE FOR WATERPROOFING INSTALLATION ONLY

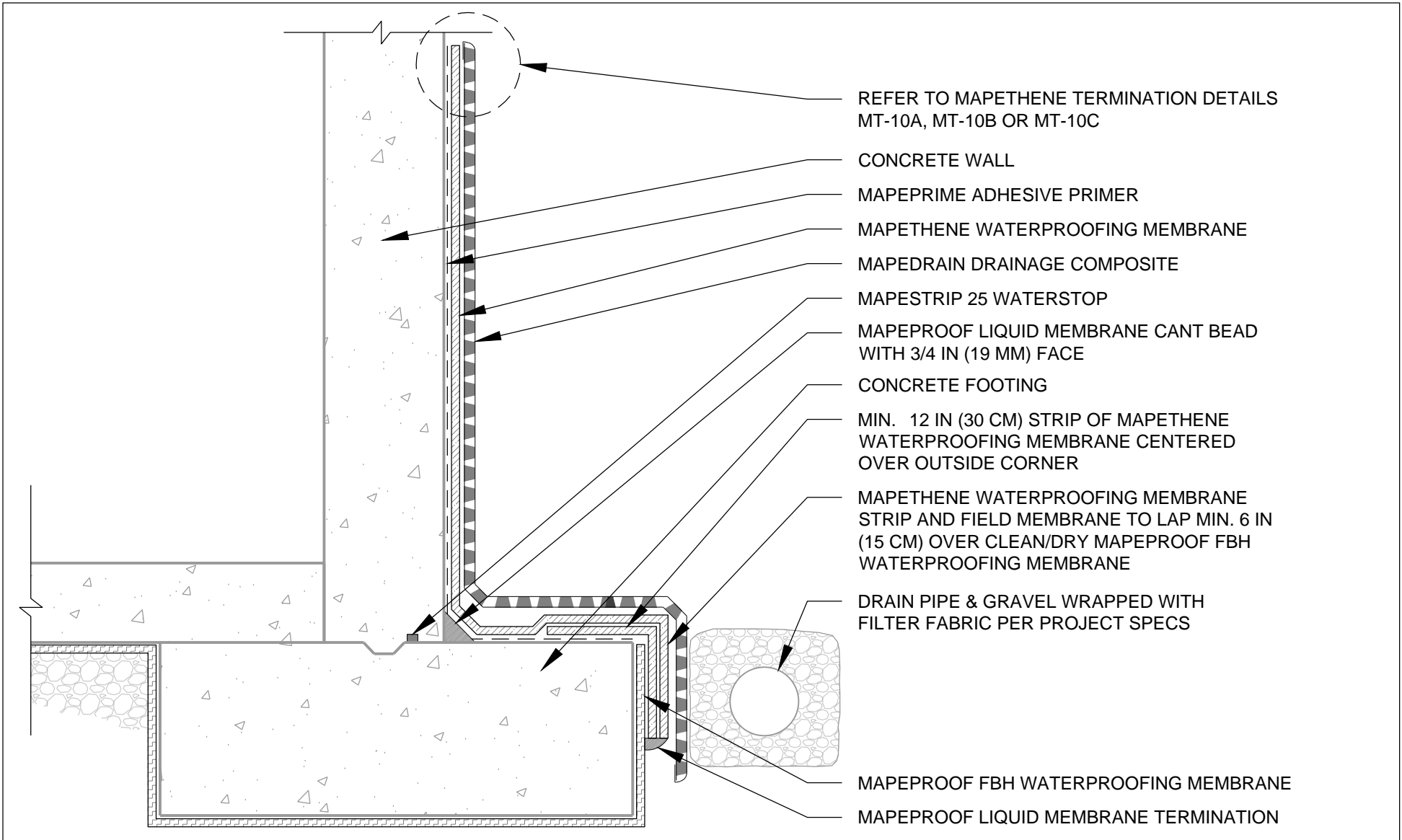
Supersedes: ----

Date: 11/26/24

Drawing Number:

**FBH-00**

DRAWING NOT TO SCALE



**POLYGLASS**  
 MAPEI GROUP  
 polyglass.us  
 1111 West Newport Center Drive  
 Deerfield Beach, FL 33442  
 Technical Service: (866) 794-9659  
 technical@polyglass.com

**Description:**

**FOUNDATION WALL - FLOOR SLAB AT FOOTING LEVEL (OPTION 1)**

DETAILS ARE INTENDED TO BE A GUIDE FOR WATERPROOFING INSTALLATION ONLY

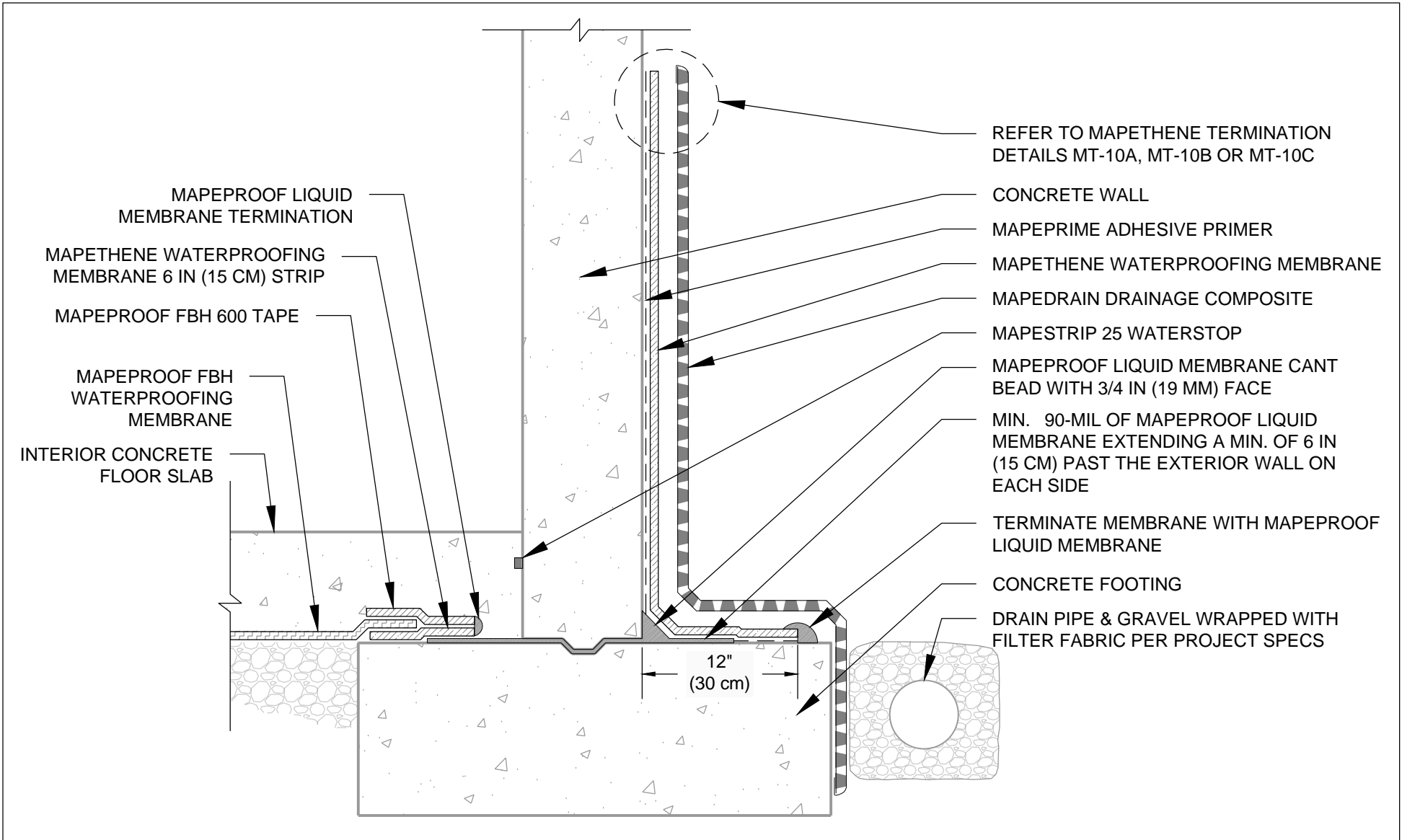
**Supersedes:** ----

**Date:** 11/26/24

**Drawing Number:**

**FBH-1A**

DRAWING NOT TO SCALE



MAPEPROOF LIQUID MEMBRANE TERMINATION

MAPETHENE WATERPROOFING MEMBRANE 6 IN (15 CM) STRIP

MAPEPROOF FBH 600 TAPE

MAPEPROOF FBH WATERPROOFING MEMBRANE

INTERIOR CONCRETE FLOOR SLAB

REFER TO MAPETHENE TERMINATION DETAILS MT-10A, MT-10B OR MT-10C

CONCRETE WALL

MAPEPRIME ADHESIVE PRIMER

MAPETHENE WATERPROOFING MEMBRANE

MAPEDRAIN DRAINAGE COMPOSITE

MAPESTRIP 25 WATERSTOP

MAPEPROOF LIQUID MEMBRANE CANT BEAD WITH 3/4 IN (19 MM) FACE

MIN. 90-MIL OF MAPEPROOF LIQUID MEMBRANE EXTENDING A MIN. OF 6 IN (15 CM) PAST THE EXTERIOR WALL ON EACH SIDE

TERMINATE MEMBRANE WITH MAPEPROOF LIQUID MEMBRANE

CONCRETE FOOTING

DRAIN PIPE & GRAVEL WRAPPED WITH FILTER FABRIC PER PROJECT SPECS

12" (30 cm)

**POLYGLASS**



**polyglass.us**

1111 West Newport Center Drive  
Deerfield Beach, FL 33442  
Technical Service: (866) 794-9659  
technical@polyglass.com

Description:

**FOUNDATION WALL - FLOOR SLAB AT FOOTING LEVEL (OPTION 2)**

DETAILS ARE INTENDED TO BE A GUIDE FOR WATERPROOFING INSTALLATION ONLY

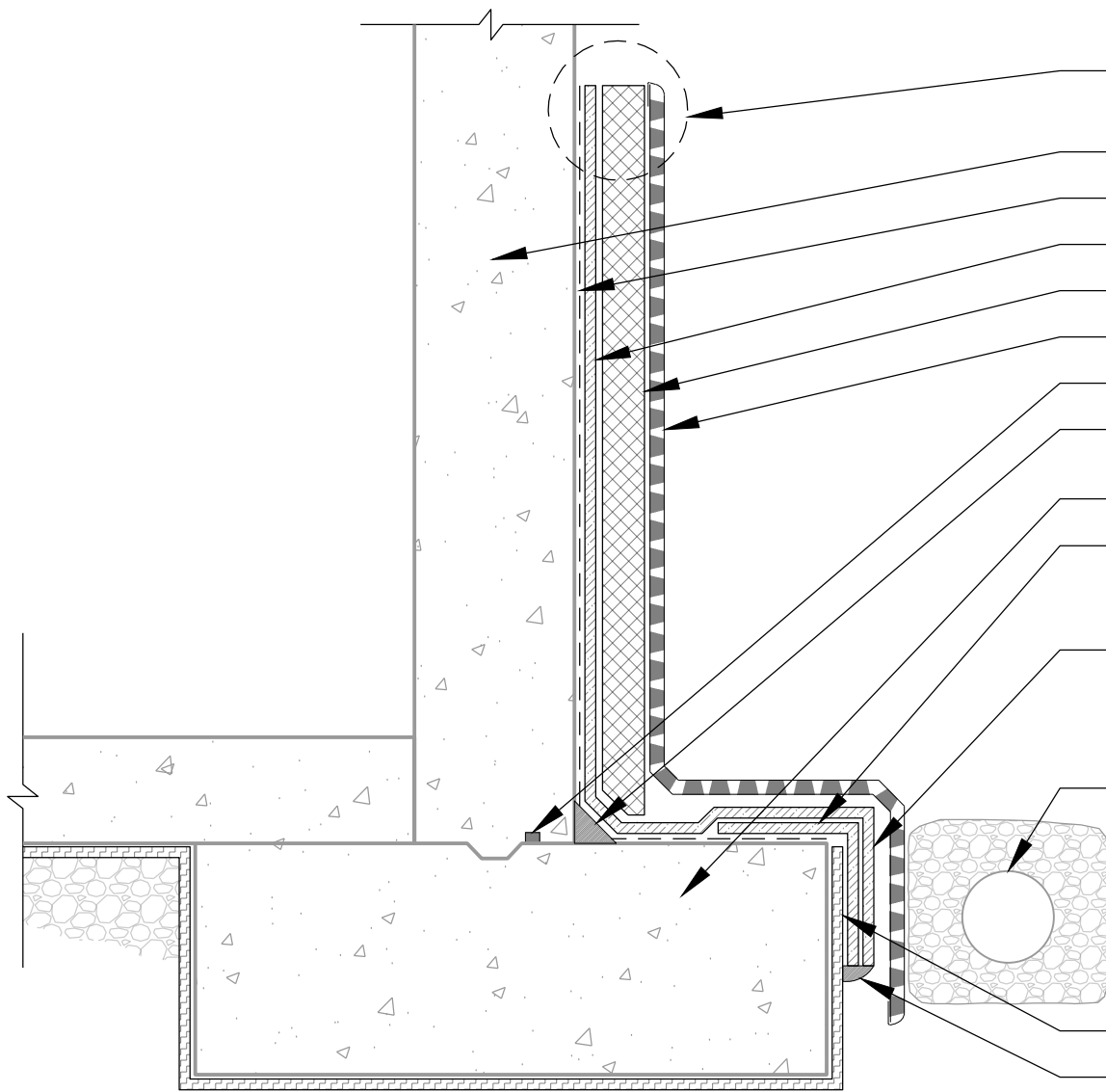
Supersedes: ----

Date: 11/26/24

Drawing Number:

**FBH-1B**

DRAWING NOT TO SCALE



- REFER TO MAPETHENE TERMINATION DETAILS MT-10A, MT-10B OR MT-10C
- CONCRETE WALL
- MAPEPRIME ADHESIVE PRIMER
- MAPETHENE WATERPROOFING MEMBRANE
- RIGID INSULATION
- MAPESTRIP 25 WATERSTOP
- MAPEPROOF LIQUID MEMBRANE CANT BEAD WITH 3/4 IN (19 MM) FACE
- CONCRETE FOOTING
- MIN. 12 IN (30 CM) STRIP OF MAPETHENE WATERPROOFING MEMBRANE CENTERED OVER OUTSIDE CORNER
- MAPETHENE WATERPROOFING MEMBRANE STRIP AND FIELD MEMBRANE TO LAP MIN. 6 IN (15 CM) OVER CLEAN/DRY MAPEPROOF FBH WATERPROOFING MEMBRANE
- DRAIN PIPE & GRAVEL WRAPPED WITH FILTER FABRIC PER PROJECT SPECS
- MAPEPROOF FBH WATERPROOFING MEMBRANE
- MAPEPROOF LIQUID MEMBRANE TERMINATION

**POLYGLASS**



**polyglass.us**

1111 West Newport Center Drive  
Deerfield Beach, FL 33442  
Technical Service: (866) 794-9659  
technical@polyglass.com

**Description:**

## FOUNDATION WALL - FLOOR SLAB AT FOOTING LEVEL WITH INSULATION

DETAILS ARE INTENDED TO BE A GUIDE FOR WATERPROOFING INSTALLATION ONLY

**Supersedes:**

----

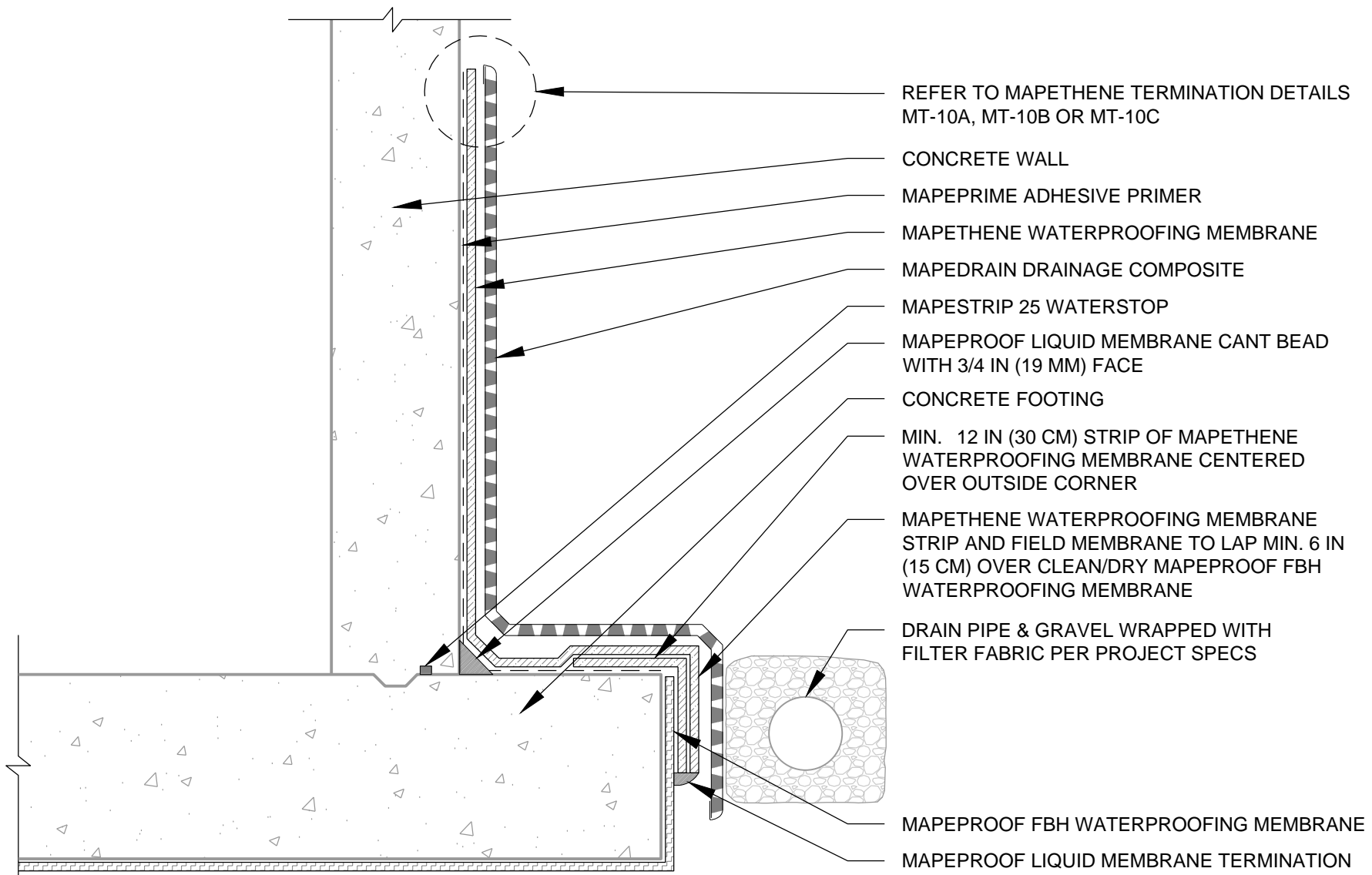
**Date:**

11/26/24

**Drawing Number:**

**FBH-1C**

DRAWING NOT TO SCALE



**POLYGLASS**



**polyglass.us**

1111 West Newport Center Drive  
Deerfield Beach, FL 33442  
Technical Service: (866) 794-9659  
technical@polyglass.com

**Description:**

## FOUNDATION WALL - MAT SLAB

DETAILS ARE INTENDED TO BE A GUIDE FOR WATERPROOFING INSTALLATION ONLY

**Supersedes:**

----

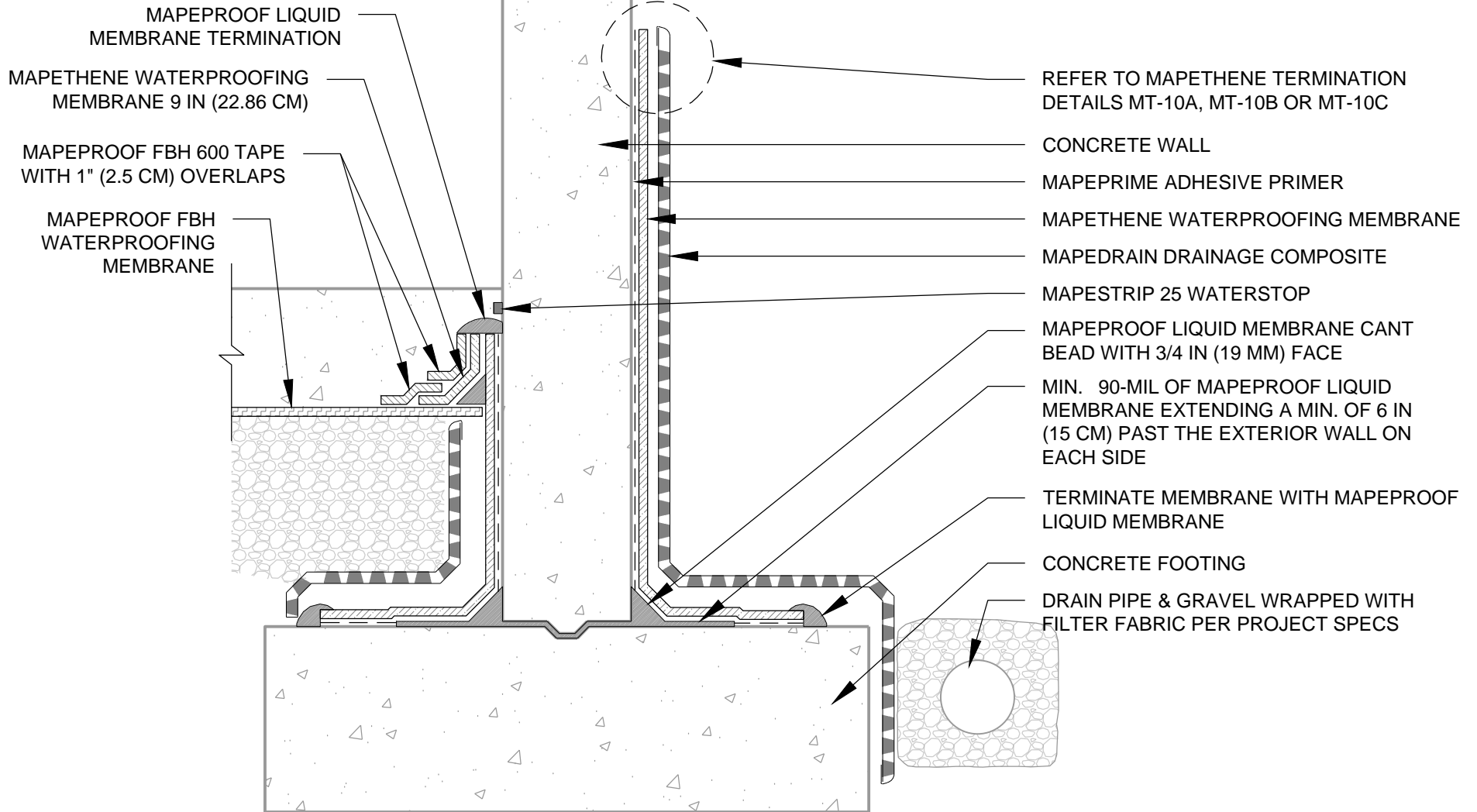
**Date:**

11/26/24

**Drawing Number:**

**FBH-1D**

DRAWING NOT TO SCALE



**POLYGLASS**



**polyglass.us**

1111 West Newport Center Drive  
Deerfield Beach, FL 33442  
Technical Service: (866) 794-9659  
technical@polyglass.com

**Description:**

## FOUNDATION WALL ELEVATED FLOOR SLAB (OPTION 1)

DETAILS ARE INTENDED TO BE A GUIDE FOR WATERPROOFING INSTALLATION ONLY

**Supersedes:**

----

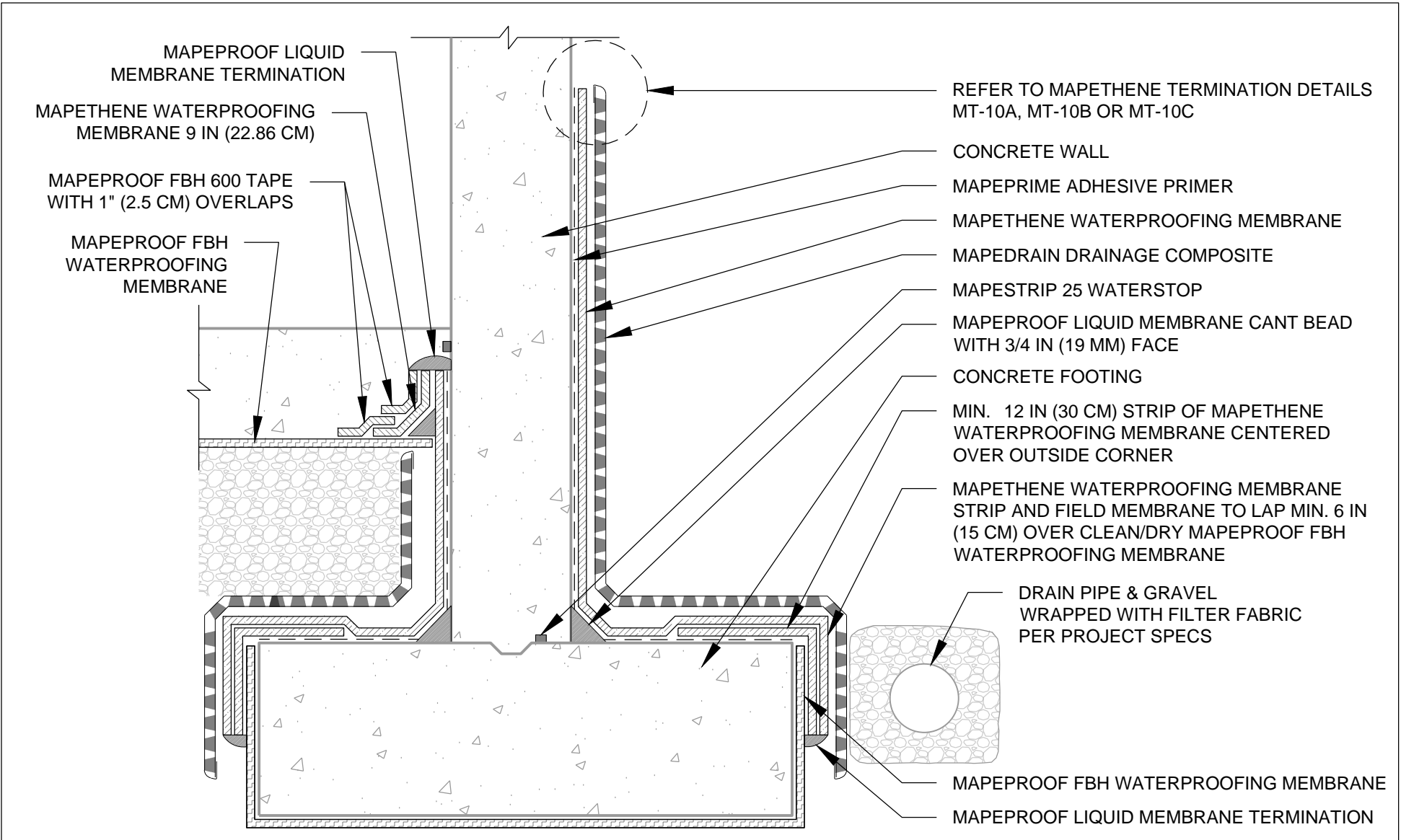
**Date:**

11/26/24

**Drawing Number:**

**FBH-1E**

DRAWING NOT TO SCALE



**POLYGLASS**  
 MAPEI GROUP  
 polyglass.us  
 1111 West Newport Center Drive  
 Deerfield Beach, FL 33442  
 Technical Service: (866) 794-9659  
 technical@polyglass.com

**Description:**

**FOUNDATION WALL ELEVATED FLOOR SLAB (OPTION 2)**

DETAILS ARE INTENDED TO BE A GUIDE FOR WATERPROOFING INSTALLATION ONLY

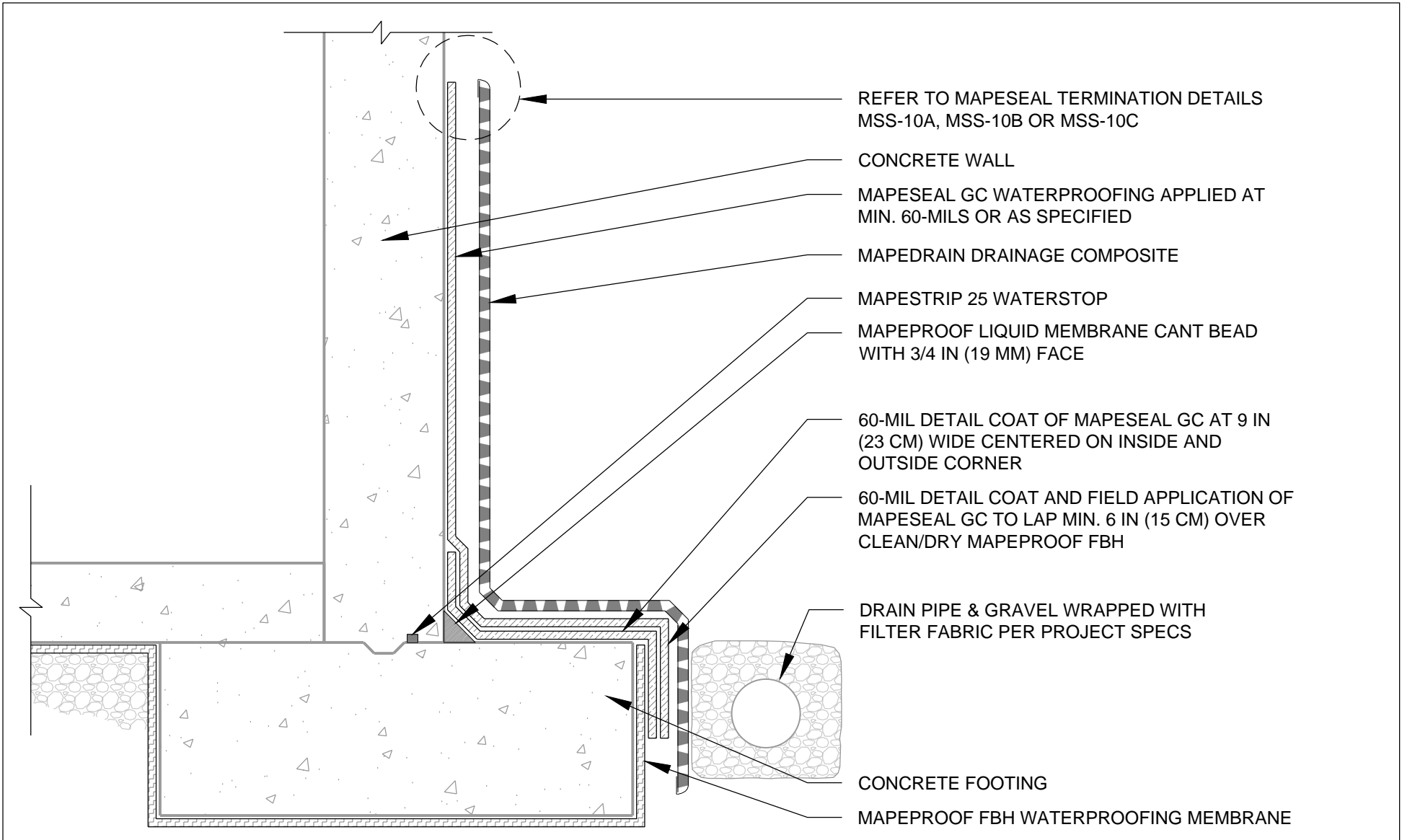
**Supersedes:** ----

**Date:** 11/26/24

**Drawing Number:**

**FBH-1F**

DRAWING NOT TO SCALE



**POLYGLASS**  
  
 polyglass.us  
 1111 West Newport Center Drive  
 Deerfield Beach, FL 33442  
 Technical Service: (866) 794-9659  
 technical@polyglass.com

**Description:**  
**FOUNDATION WALL - FLOOR SLAB AT  
 FOOTING LEVEL HYDROSTATIC  
 (OPTION 1)**

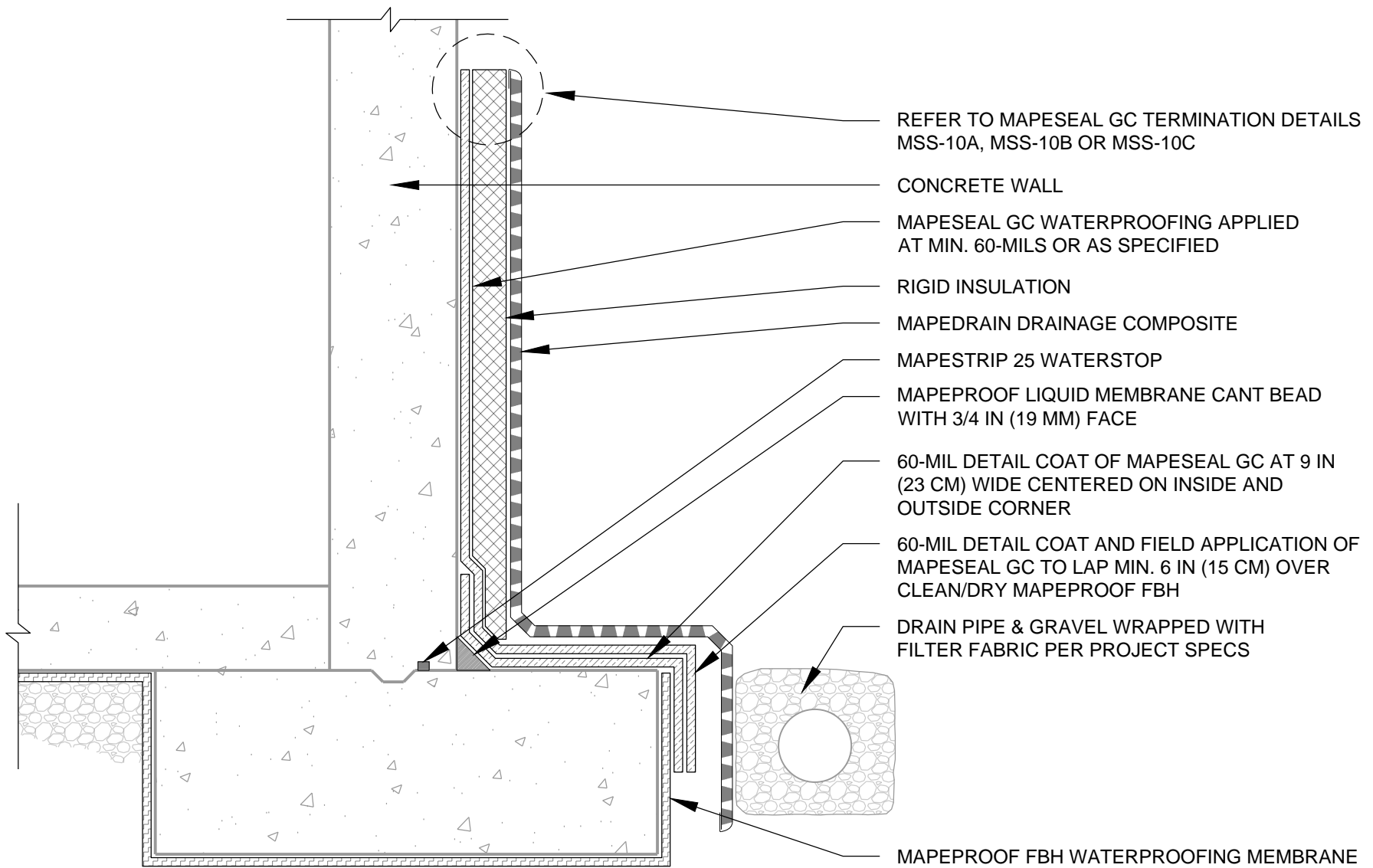
DETAILS ARE INTENDED TO BE A GUIDE FOR WATERPROOFING INSTALLATION ONLY

**Supersedes:** ----  
**Date:** 11/26/24  
**Drawing Number:**  
**FBH-1G**

DRAWING NOT TO SCALE







- REFER TO MAPESEAL GC TERMINATION DETAILS MSS-10A, MSS-10B OR MSS-10C
- CONCRETE WALL
- MAPESEAL GC WATERPROOFING APPLIED AT MIN. 60-MILS OR AS SPECIFIED
- RIGID INSULATION
- MAPESEAL GC DRAINAGE COMPOSITE
- MAPESTRIP 25 WATERSTOP
- MAPEPROOF LIQUID MEMBRANE CANT BEAD WITH 3/4 IN (19 MM) FACE
- 60-MIL DETAIL COAT OF MAPESEAL GC AT 9 IN (23 CM) WIDE CENTERED ON INSIDE AND OUTSIDE CORNER
- 60-MIL DETAIL COAT AND FIELD APPLICATION OF MAPESEAL GC TO LAP MIN. 6 IN (15 CM) OVER CLEAN/DRY MAPEPROOF FBH
- DRAIN PIPE & GRAVEL WRAPPED WITH FILTER FABRIC PER PROJECT SPECS
- MAPEPROOF FBH WATERPROOFING MEMBRANE

**POLYGLASS**



**polyglass.us**

1111 West Newport Center Drive  
 Deerfield Beach, FL 33442  
 Technical Service: (866) 794-9659  
 technical@polyglass.com

**Description:**

**FOUNDATION WALL - FLOOR SLAB AT FOOTING LEVEL WITH INSULATION HYDROSTATIC**

*DETAILS ARE INTENDED TO BE A GUIDE FOR WATERPROOFING INSTALLATION ONLY*

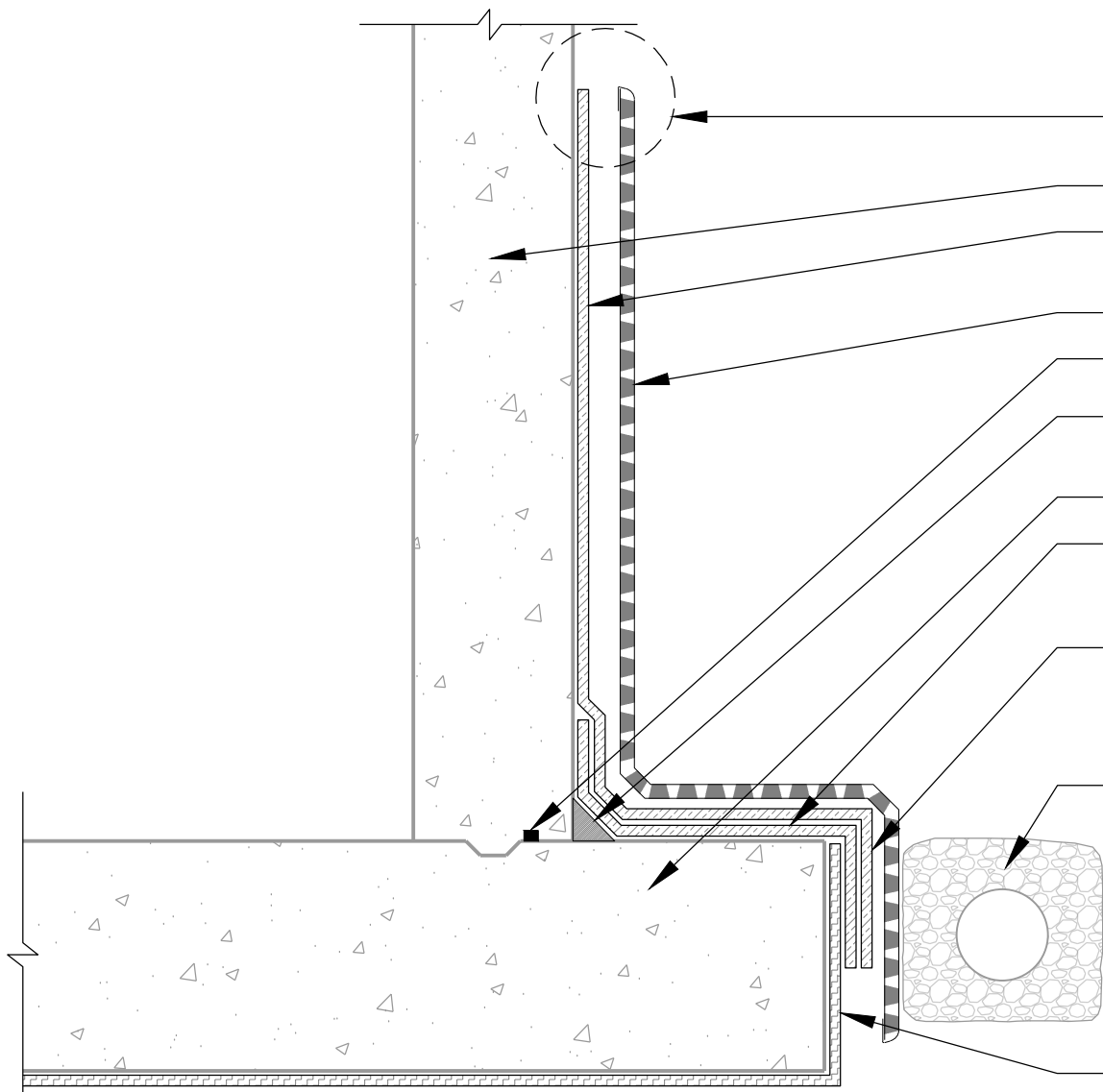
**Supersedes:** ----

**Date:** 11/26/24

**Drawing Number:**

**FBH-11**

*DRAWING NOT TO SCALE*



- REFER TO MAPESEAL GC TERMINATION DETAILS MSS-10A, MSS-10B OR MSS-10C
- CONCRETE WALL
- MAPESEAL GC WATERPROOFING APPLIED AT MIN. 60-MILS OR AS SPECIFIED
- MAPESEAL GC WATERSTOP
- MAPEPROOF LIQUID MEMBRANE CANT BEAD WITH 3/4 IN (19 MM) FACE
- CONCRETE FOOTING
- 60-MIL DETAIL COAT OF MAPESEAL GC AT 9 IN (23 CM) WIDE CENTERED ON INSIDE AND OUTSIDE CORNER
- 60-MIL DETAIL COAT AND FIELD APPLICATION OF MAPESEAL GC TO LAP MIN. 6 IN (15 CM) OVER CLEAN/DRY MAPEPROOF FBH
- DRAIN PIPE & GRAVEL WRAPPED WITH FILTER FABRIC PER PROJECT SPECS
- MAPEPROOF FBH WATERPROOFING MEMBRANE

**POLYGLASS**



**polyglass.us**

1111 West Newport Center Drive  
Deerfield Beach, FL 33442  
Technical Service: (866) 794-9659  
technical@polyglass.com

**Description:**

## FOUNDATION WALL - MAT SLAB HYDROSTATIC

DETAILS ARE INTENDED TO BE A GUIDE FOR WATERPROOFING INSTALLATION ONLY

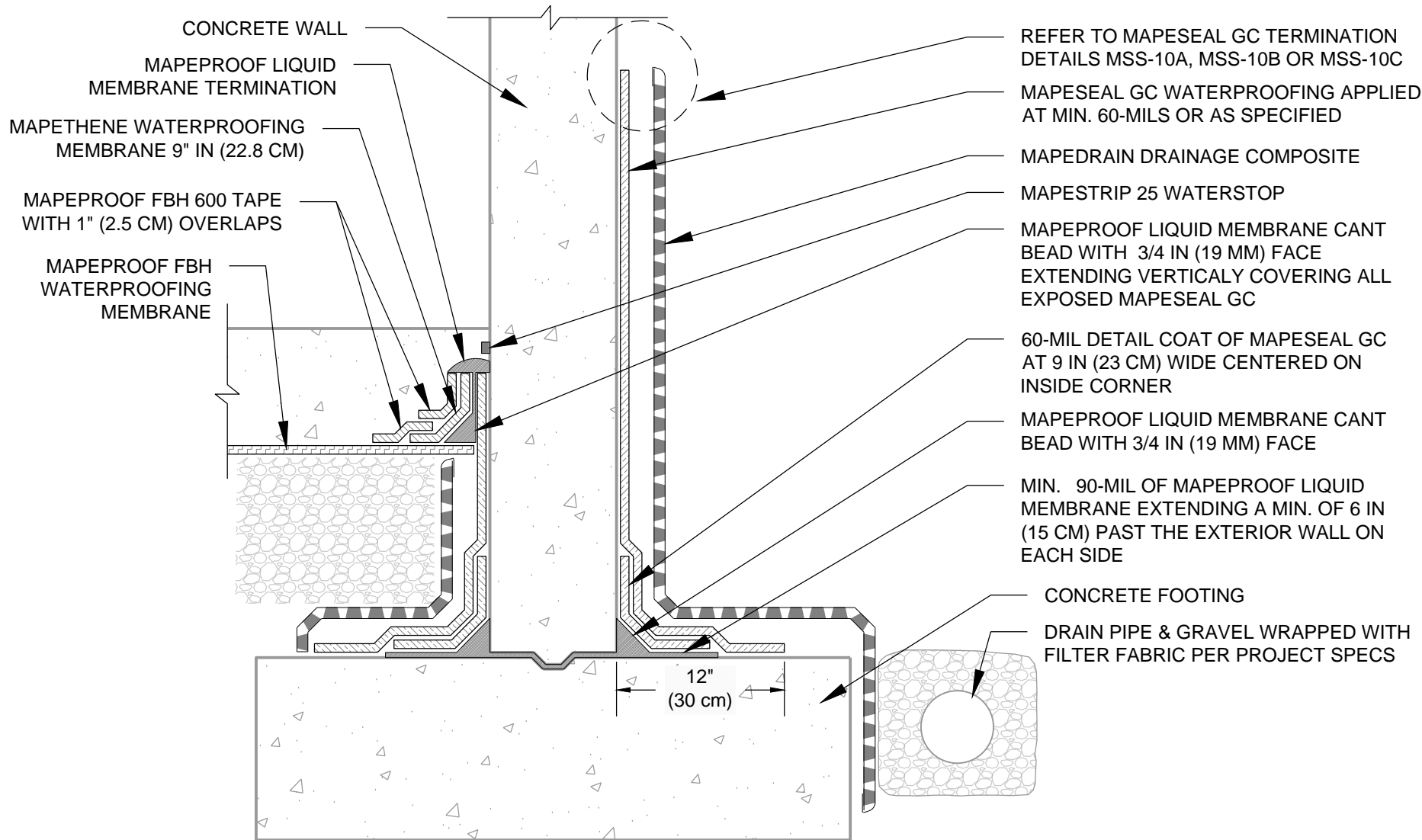
**Supersedes:** ----

**Date:** 11/26/24

**Drawing Number:**

# FBH-1J

DRAWING NOT TO SCALE



**POLYGLASS**



**polyglass.us**

1111 West Newport Center Drive  
Deerfield Beach, FL 33442  
Technical Service: (866) 794-9659  
technical@polyglass.com

**Description:**

# FOUNDATION WALL ELEVATED FLOOR SLAB - HYDROSTATIC (OPTION 1)

DETAILS ARE INTENDED TO BE A GUIDE FOR WATERPROOFING INSTALLATION ONLY

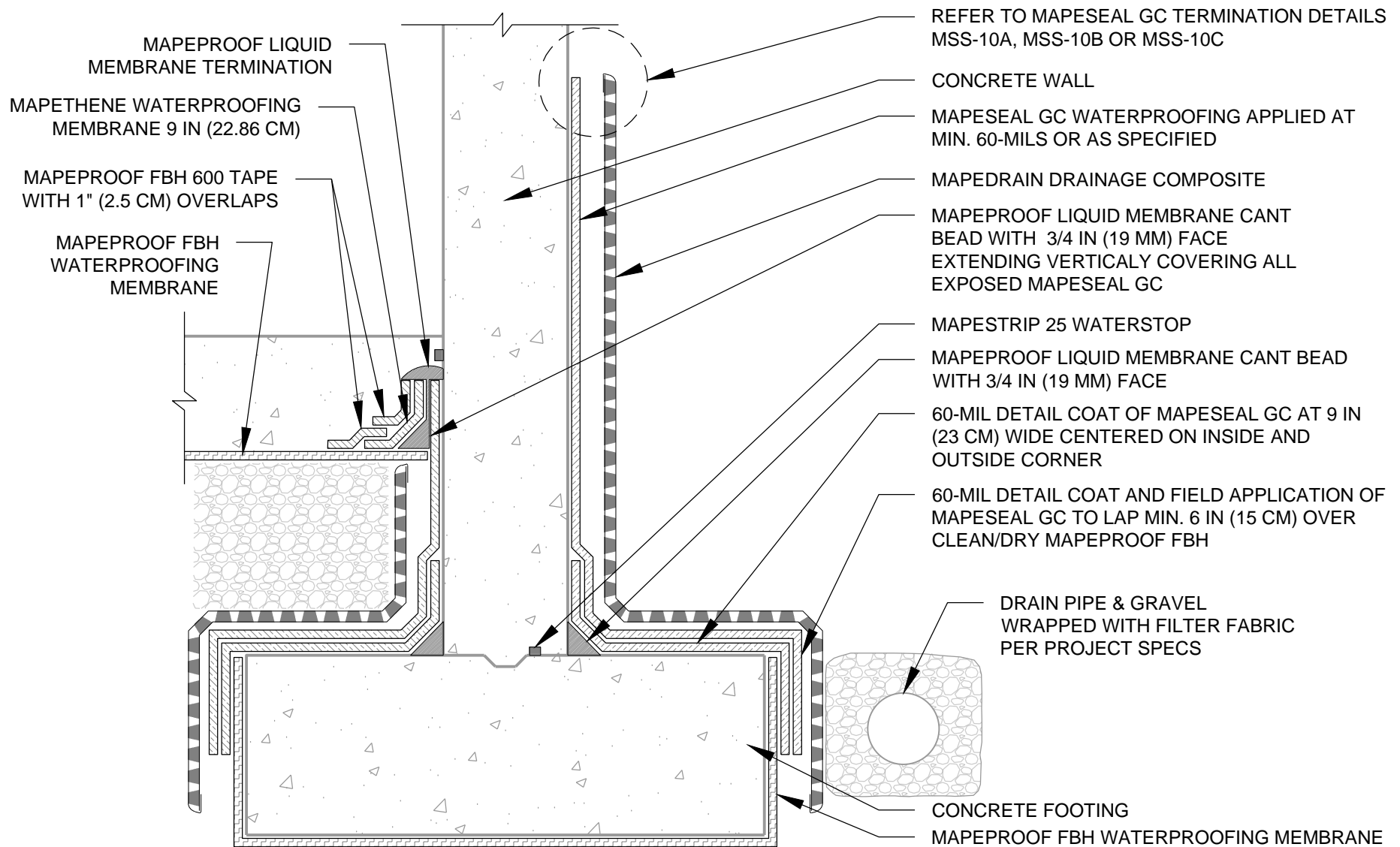
**Supersedes:** ----

**Date:** 11/26/24

**Drawing Number:**

**FBH-1K**

DRAWING NOT TO SCALE



**POLYGLASS**



**polyglass.us**

1111 West Newport Center Drive  
Deerfield Beach, FL 33442  
Technical Service: (866) 794-9659  
technical@polyglass.com

**Description:**

# FOUNDATION WALL ELEVATED FLOOR SLAB - HYDROSTATIC (OPTION 2)

DETAILS ARE INTENDED TO BE A GUIDE FOR WATERPROOFING INSTALLATION ONLY

**Supersedes:**

----

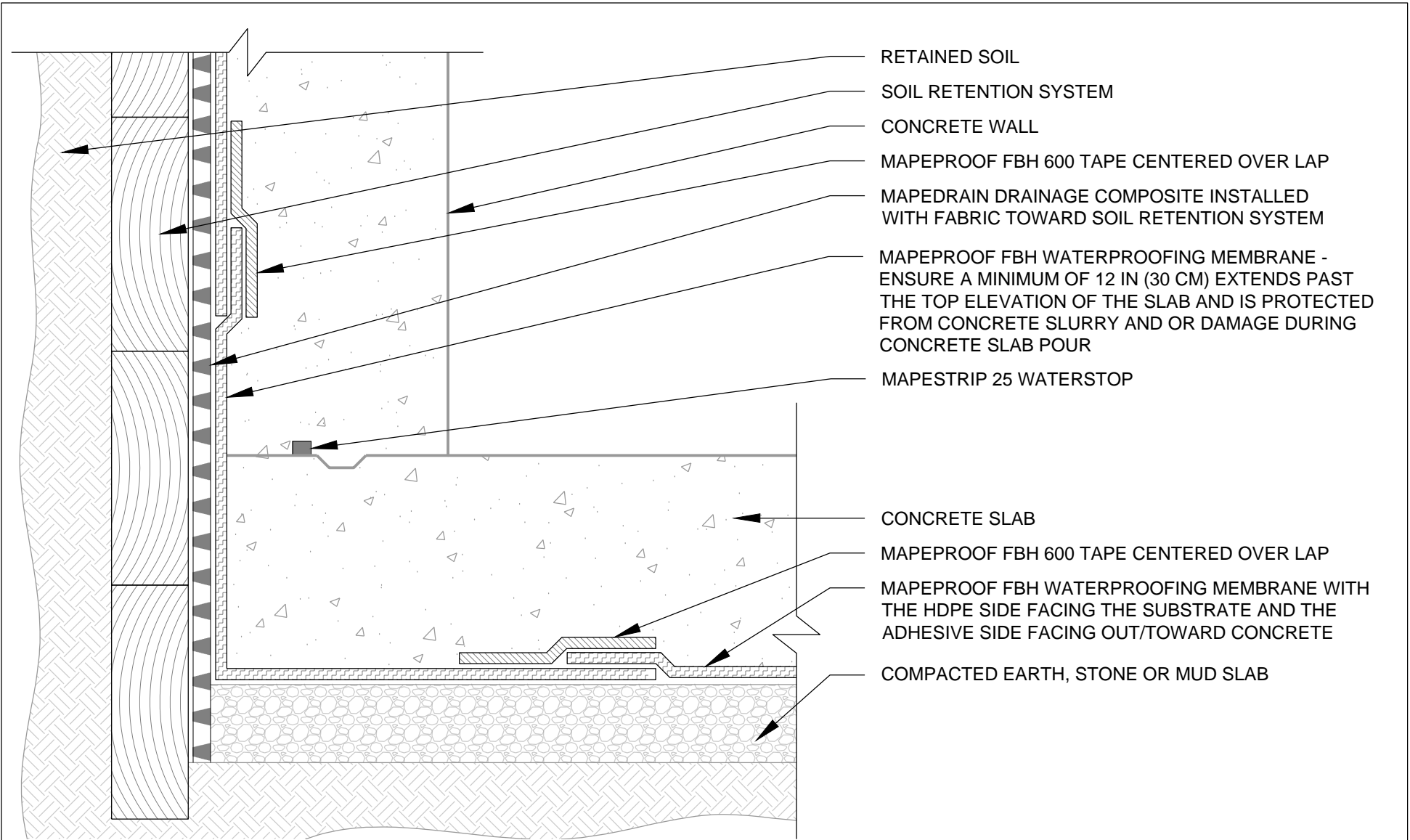
**Date:**

11/26/24

**Drawing Number:**

**FBH-1L**

DRAWING NOT TO SCALE



**POLYGLASS**



**polyglass.us**

1111 West Newport Center Drive  
Deerfield Beach, FL 33442  
Technical Service: (866) 794-9659  
technical@polyglass.com

Description:

## BLINDSIDE WALL TO SLAB TRANSITION

DETAILS ARE INTENDED TO BE A GUIDE FOR WATERPROOFING INSTALLATION ONLY

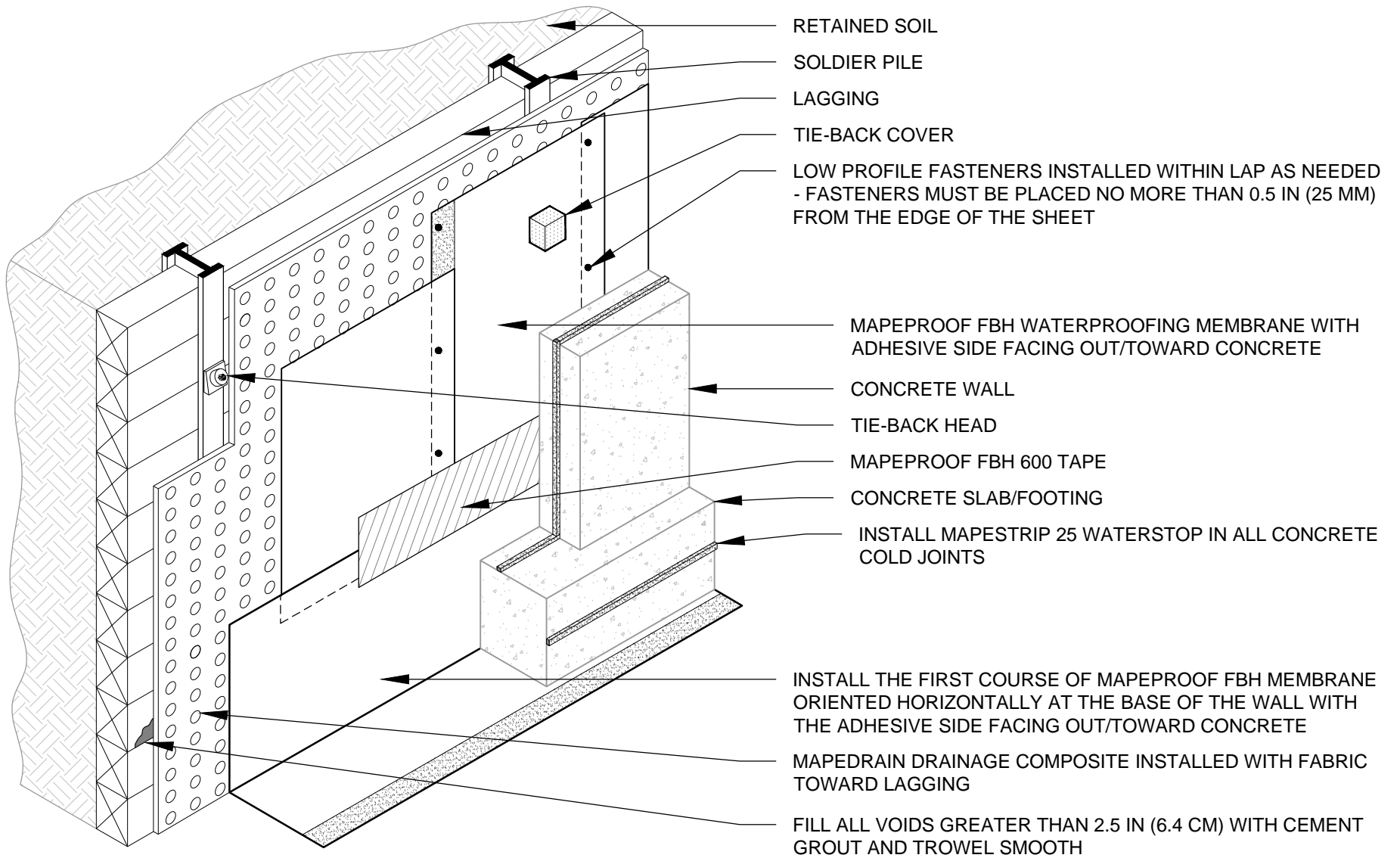
Supersedes: ----

Date: 11/26/24

Drawing Number:

**FBH-1M**

DRAWING NOT TO SCALE



**POLYGLASS**



**polyglass.us**

1111 West Newport Center Drive  
Deerfield Beach, FL 33442  
Technical Service: (866) 794-9659  
technical@polyglass.com

Description:

## LAGGING WITH SOLDIER PILES

DETAILS ARE INTENDED TO BE A GUIDE FOR WATERPROOFING INSTALLATION ONLY

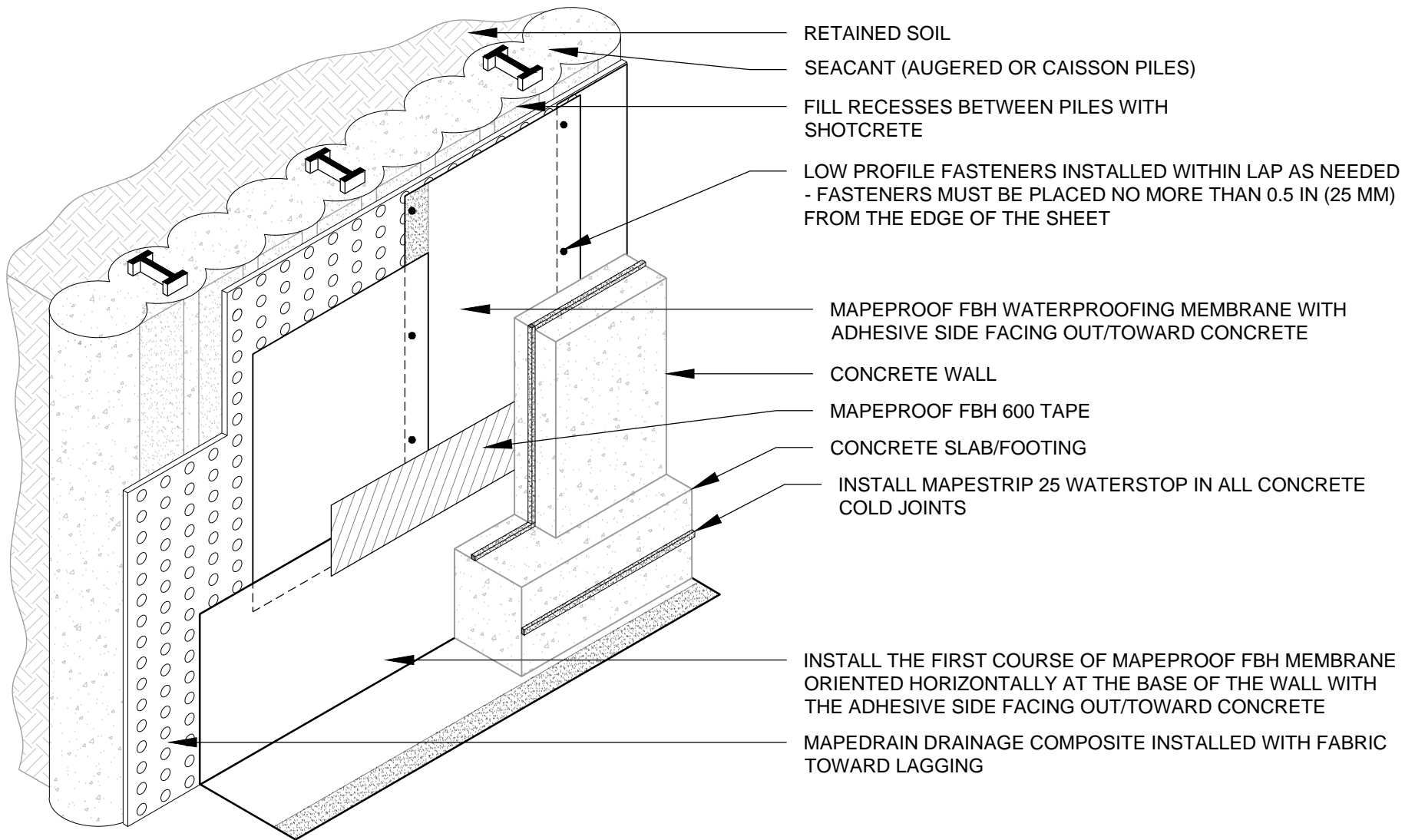
Supersedes: ----

Date: 11/26/24

Drawing Number:

**FBH-1N**

DRAWING NOT TO SCALE



- RETAINED SOIL
- SEACANT (AUGERED OR CAISSON PILES)
- FILL RECESSES BETWEEN PILES WITH SHOTCRETE
- LOW PROFILE FASTENERS INSTALLED WITHIN LAP AS NEEDED  
- FASTENERS MUST BE PLACED NO MORE THAN 0.5 IN (25 MM) FROM THE EDGE OF THE SHEET
- MAPEPROOF FBH WATERPROOFING MEMBRANE WITH ADHESIVE SIDE FACING OUT/TOWARD CONCRETE
- CONCRETE WALL
- MAPEPROOF FBH 600 TAPE
- CONCRETE SLAB/FOOTING
- INSTALL MAPESTRIP 25 WATERSTOP IN ALL CONCRETE COLD JOINTS
- INSTALL THE FIRST COURSE OF MAPEPROOF FBH MEMBRANE ORIENTED HORIZONTALLY AT THE BASE OF THE WALL WITH THE ADHESIVE SIDE FACING OUT/TOWARD CONCRETE
- MAPEDRAIN DRAINAGE COMPOSITE INSTALLED WITH FABRIC TOWARD LAGGING

**POLYGLASS**



**polyglass.us**

1111 West Newport Center Drive  
Deerfield Beach, FL 33442  
Technical Service: (866) 794-9659  
technical@polyglass.com

Description:

## SECANT PILES (AUGERED OR CAISSON)

DETAILS ARE INTENDED TO BE A GUIDE FOR WATERPROOFING INSTALLATION ONLY

Supersedes: ----

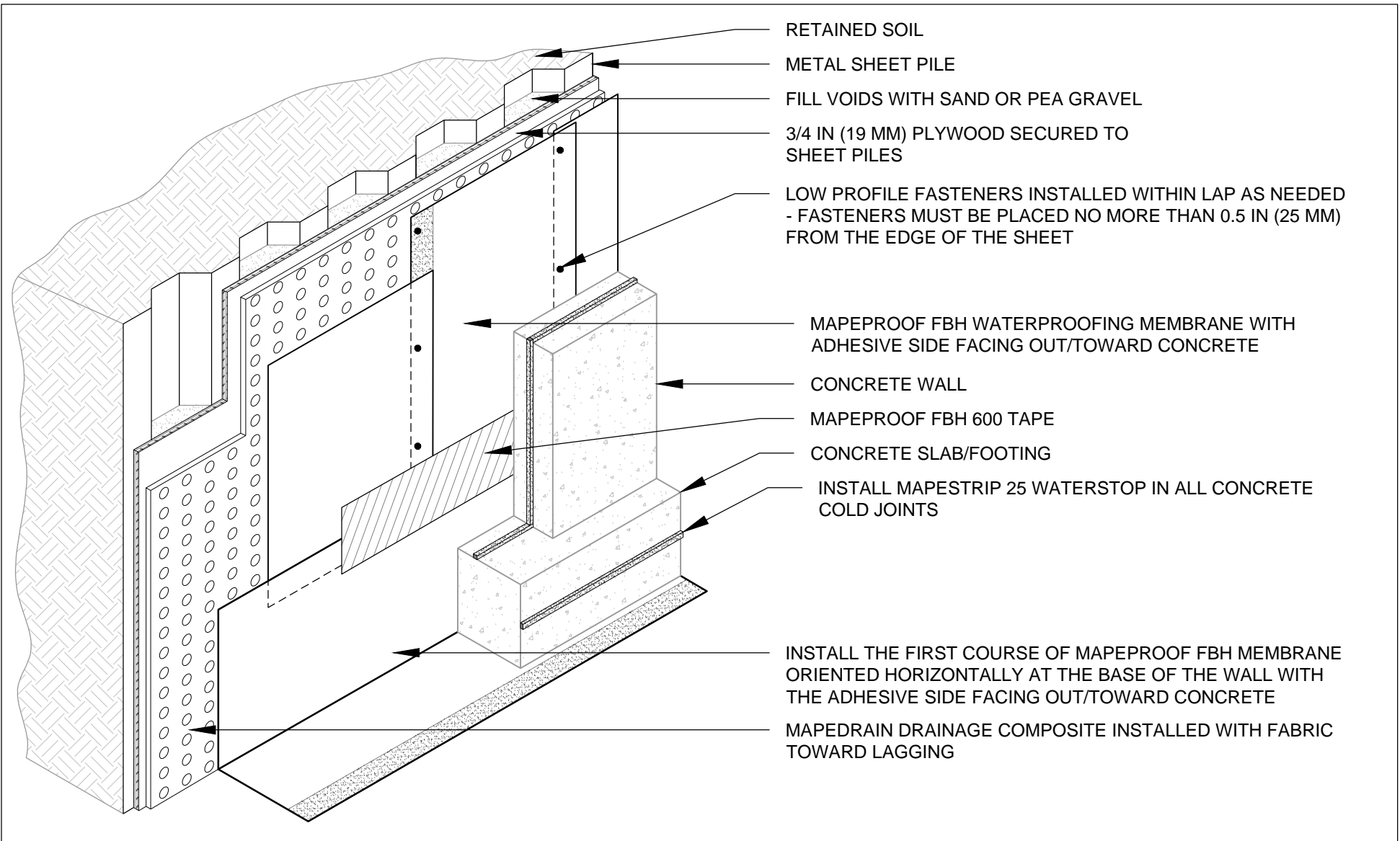
Date: 11/26/24

Drawing Number:

# FBH-10

DRAWING NOT TO SCALE





**POLYGLASS**



**polyglass.us**

1111 West Newport Center Drive  
Deerfield Beach, FL 33442  
Technical Service: (866) 794-9659  
technical@polyglass.com

**Description:**

# STEEL SHEET PILES

DETAILS ARE INTENDED TO BE A GUIDE FOR WATERPROOFING INSTALLATION ONLY

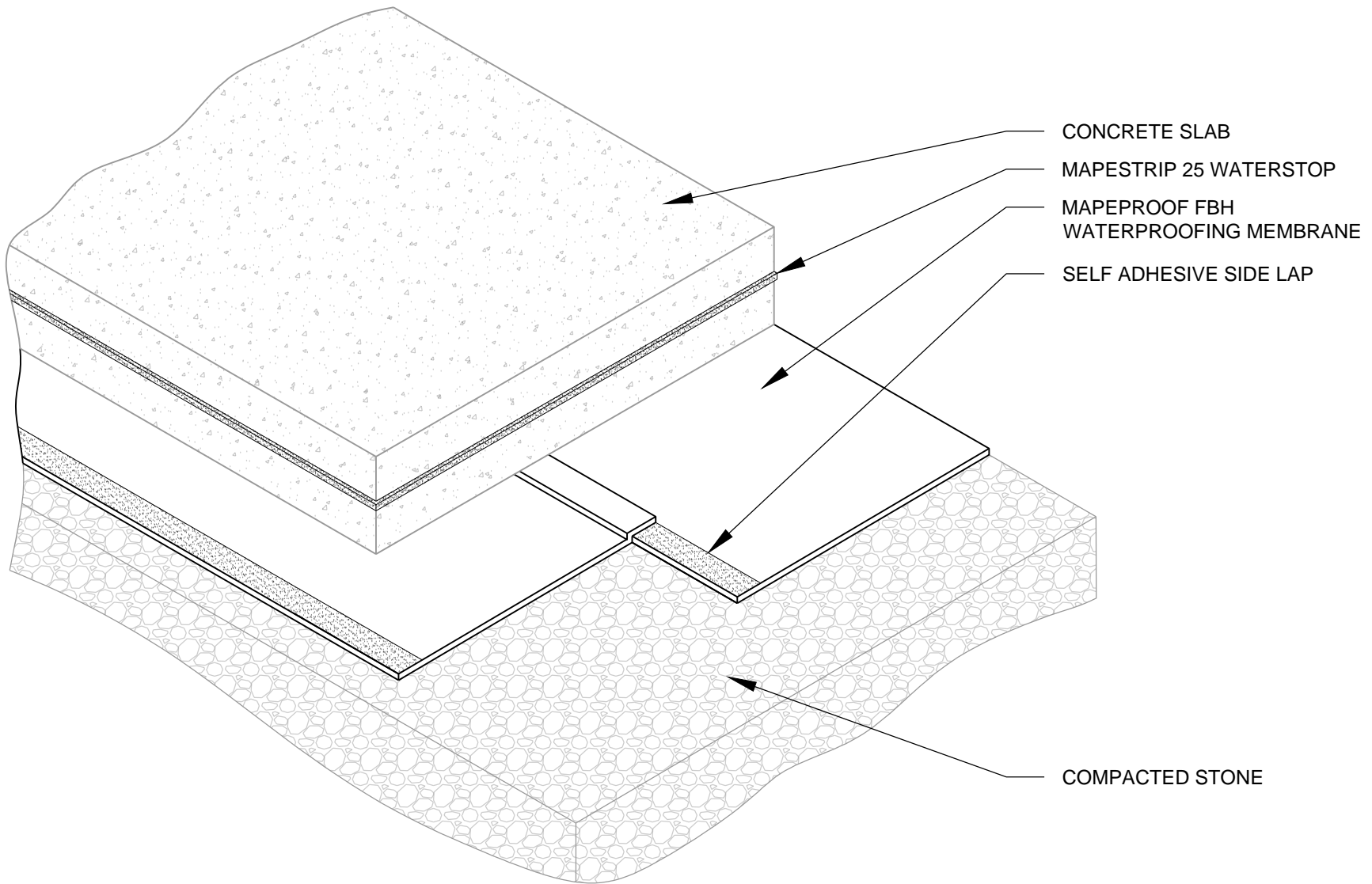
**Supersedes:** ----

**Date:** 11/26/24

**Drawing Number:**

## FBH-1P

DRAWING NOT TO SCALE



CONCRETE SLAB  
 MAPESTRIP 25 WATERSTOP  
 MAPEPROOF FBH  
 WATERPROOFING MEMBRANE  
 SELF ADHESIVE SIDE LAP

COMPACTED STONE

**POLYGLASS**



**polyglass.us**

1111 West Newport Center Drive  
 Deerfield Beach, FL 33442  
 Technical Service: (866) 794-9659  
 technical@polyglass.com

Description:

## UNDERSLAB APPLICATION ON COMPACTED STONE

DETAILS ARE INTENDED TO BE A GUIDE FOR WATERPROOFING INSTALLATION ONLY

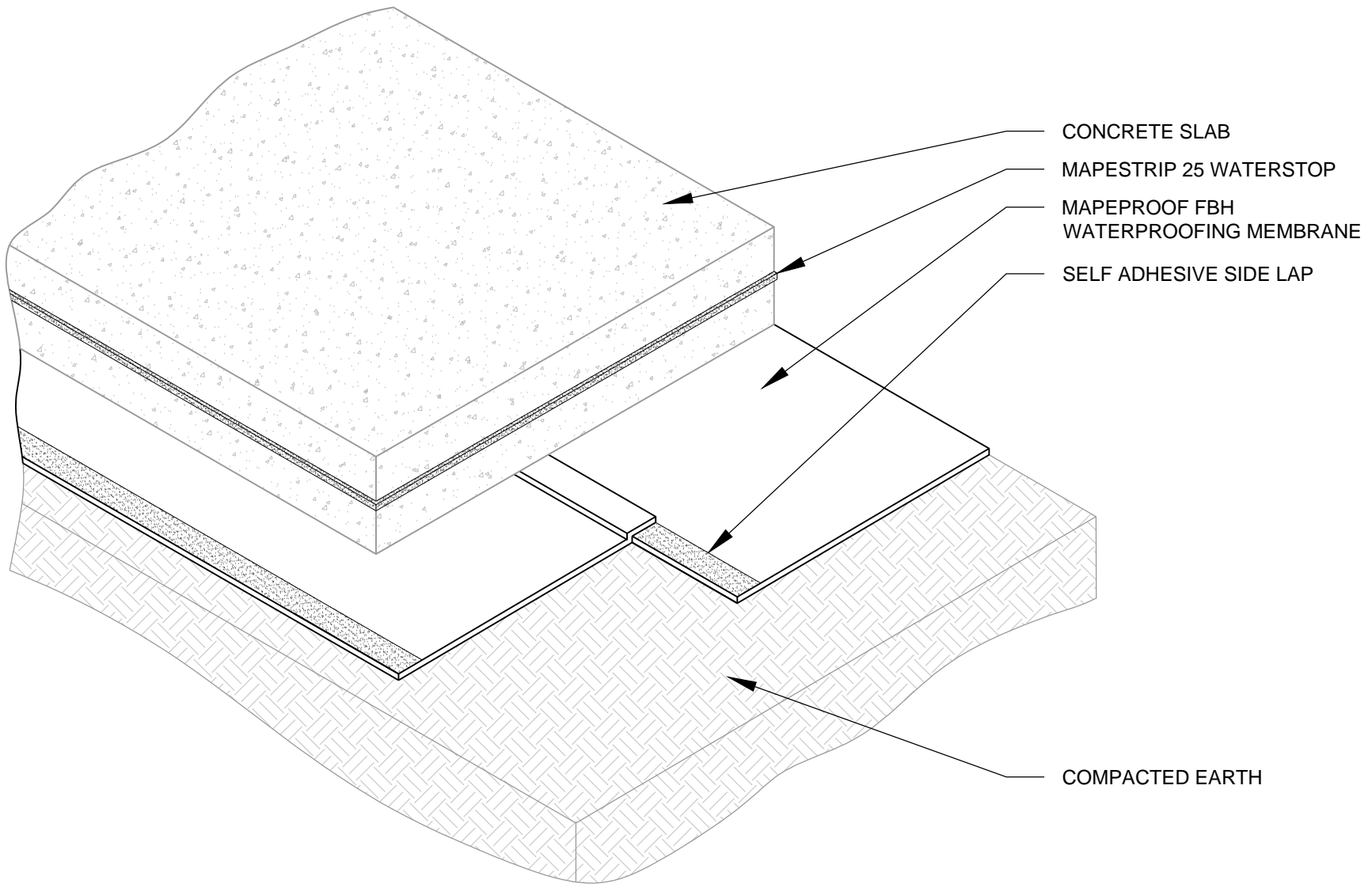
Supersedes: ----

Date: 11/26/24

Drawing Number:

**FBH-2A**

DRAWING NOT TO SCALE



**POLYGLASS**



**polyglass.us**

1111 West Newport Center Drive  
Deerfield Beach, FL 33442  
Technical Service: (866) 794-9659  
technical@polyglass.com

Description:

## UNDERSLAB APPLICATION ON COMPACTED EARTH

DETAILS ARE INTENDED TO BE A GUIDE FOR WATERPROOFING INSTALLATION ONLY

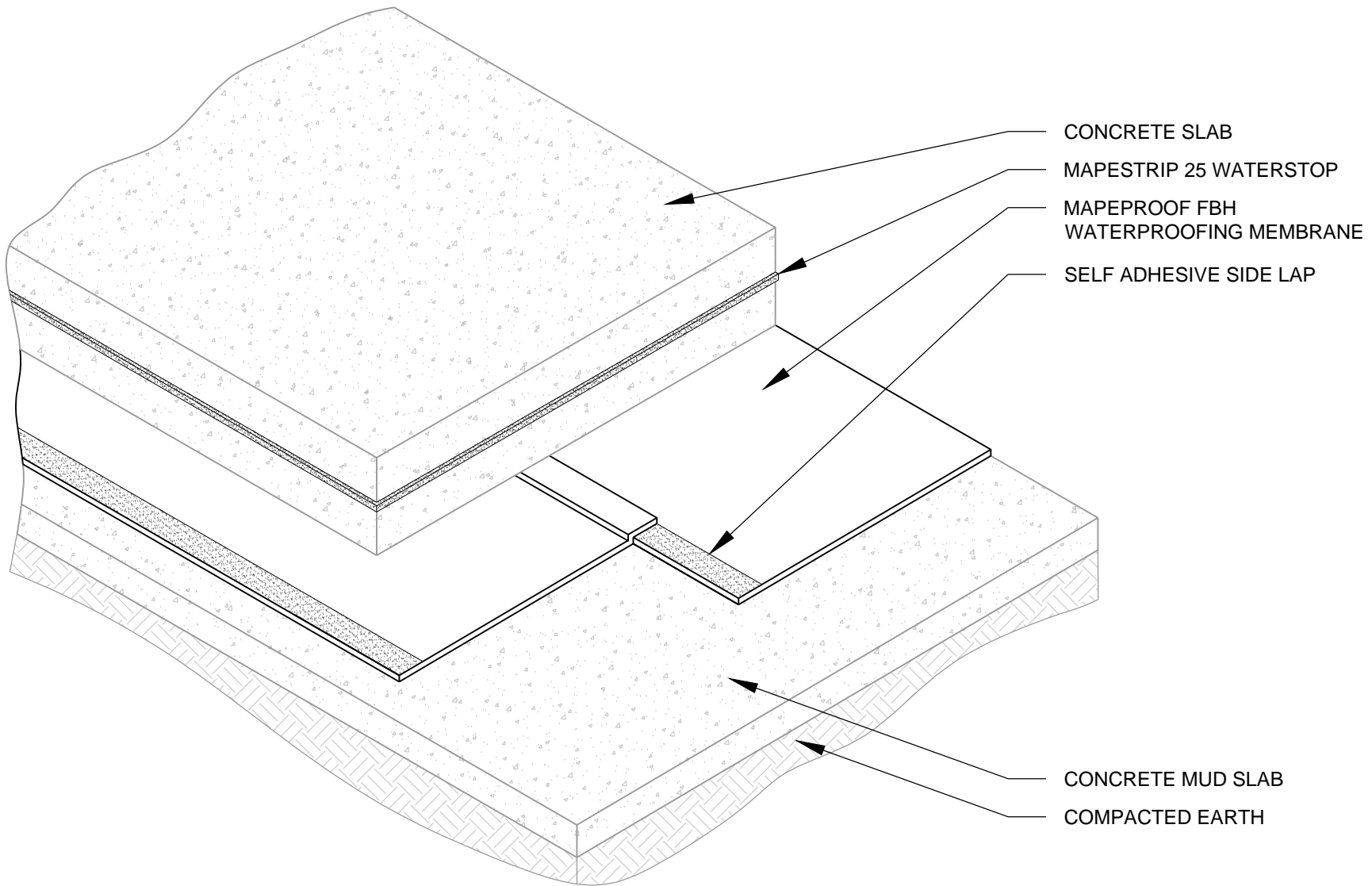
Supersedes: ----

Date: 11/27/24

Drawing Number:

**FBH-2B**

DRAWING NOT TO SCALE



**POLYGLASS**



**polyglass.us**

1111 West Newport Center Drive  
Deerfield Beach, FL 33442  
Technical Service: (866) 794-9659  
technical@polyglass.com

**Description:**

## UNDERSLAB APPLICATION ON MUD SLAB

DETAILS ARE INTENDED TO BE A GUIDE FOR WATERPROOFING INSTALLATION ONLY

**Supersedes:**

----

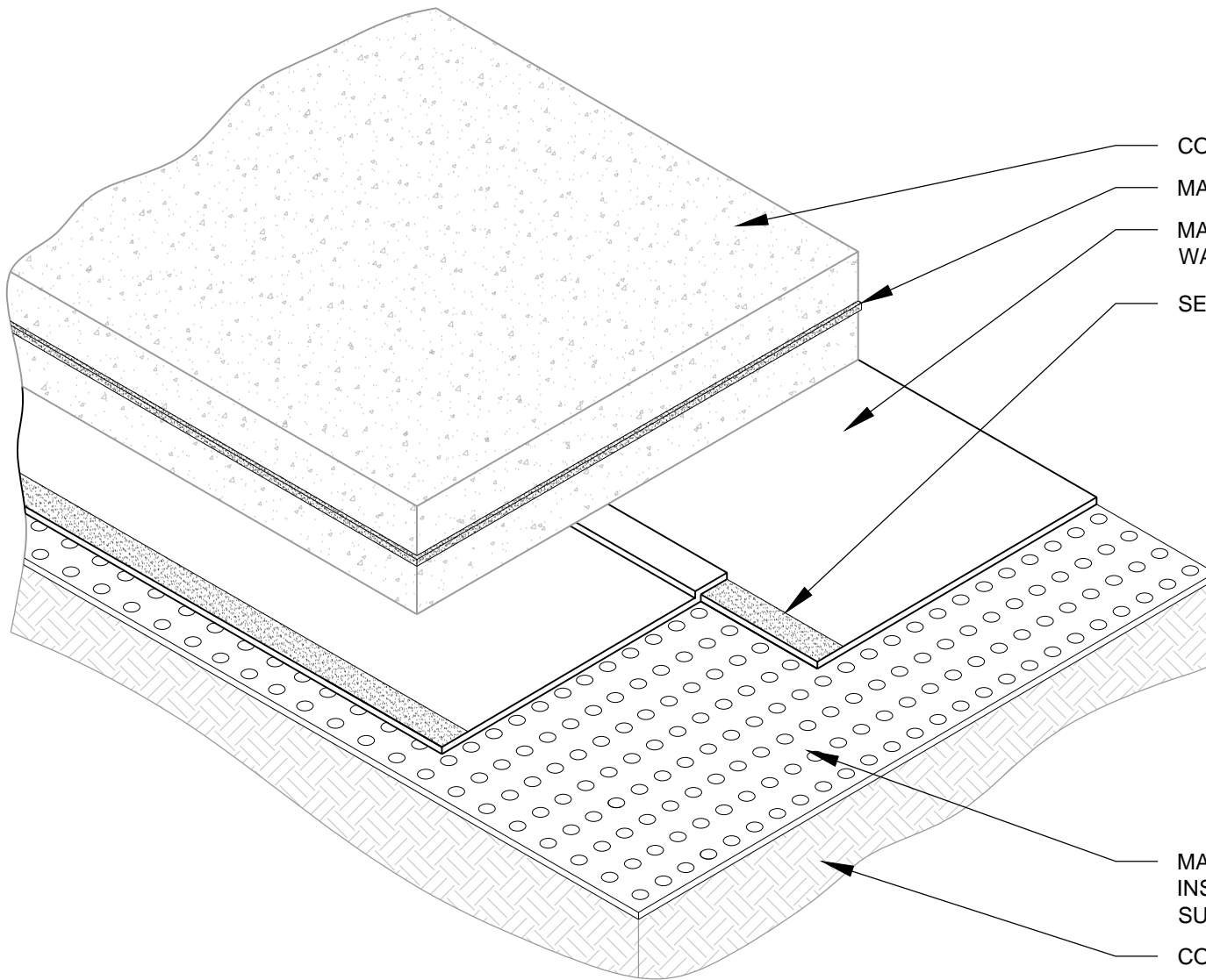
**Date:**

11/26/24

**Drawing Number:**

**FBH-2C**

DRAWING NOT TO SCALE



CONCRETE SLAB  
 MAPESTRIP 25 WATERSTOP  
 MAPEPROOF FBH  
 WATERPROOFING MEMBRANE  
 SELF ADHESIVE SIDE LAP

MAPEDRAIN DRAINAGE COMPOSITE  
 INSTALLED WITH FABRIC FACING  
 SUBSTRATE/EARTH  
 COMPACTED EARTH

**POLYGLASS**



**polyglass.us**

1111 West Newport Center Drive  
 Deerfield Beach, FL 33442  
 Technical Service: (866) 794-9659  
 technical@polyglass.com

Description:

**UNDERSLAB APPLICATION  
 ON DRAINAGE COMPOSITE**

DETAILS ARE INTENDED TO BE A GUIDE FOR WATERPROOFING INSTALLATION ONLY

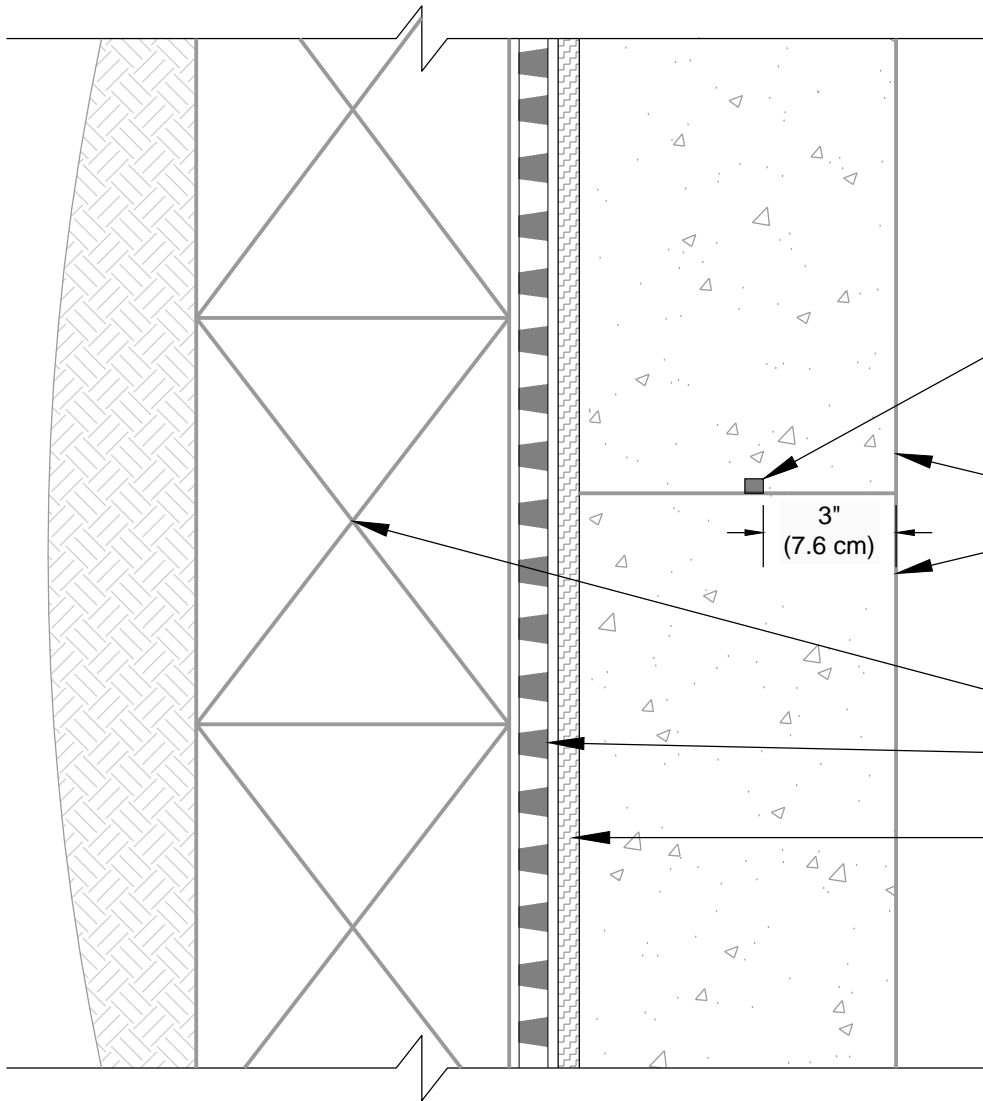
Supersedes: ----

Date: 11/26/24

Drawing Number:

**FBH-2D**

DRAWING NOT TO SCALE



MAPESTRIP 25 WATERSTOP

CONCRETE WALL - 2ND POUR

CONCRETE WALL - 1ST POUR

3"  
(7.6 cm)

SOIL RETENTION SYSTEM

MAPE DRAIN DRAINAGE COMPOSITE WITH  
FABRIC SIDE FACING SOIL RETENTION SYSTEM

MAPEPROOF FBH WATERPROOFING MEMBRANE

**POLYGLASS**



**polyglass.us**

1111 West Newport Center Drive  
Deerfield Beach, FL 33442  
Technical Service: (866) 794-9659  
technical@polyglass.com

Description:

## CONCRETE WALL CONSTRUCTION JOINT

DETAILS ARE INTENDED TO BE A GUIDE FOR WATERPROOFING INSTALLATION ONLY

Supersedes: ----

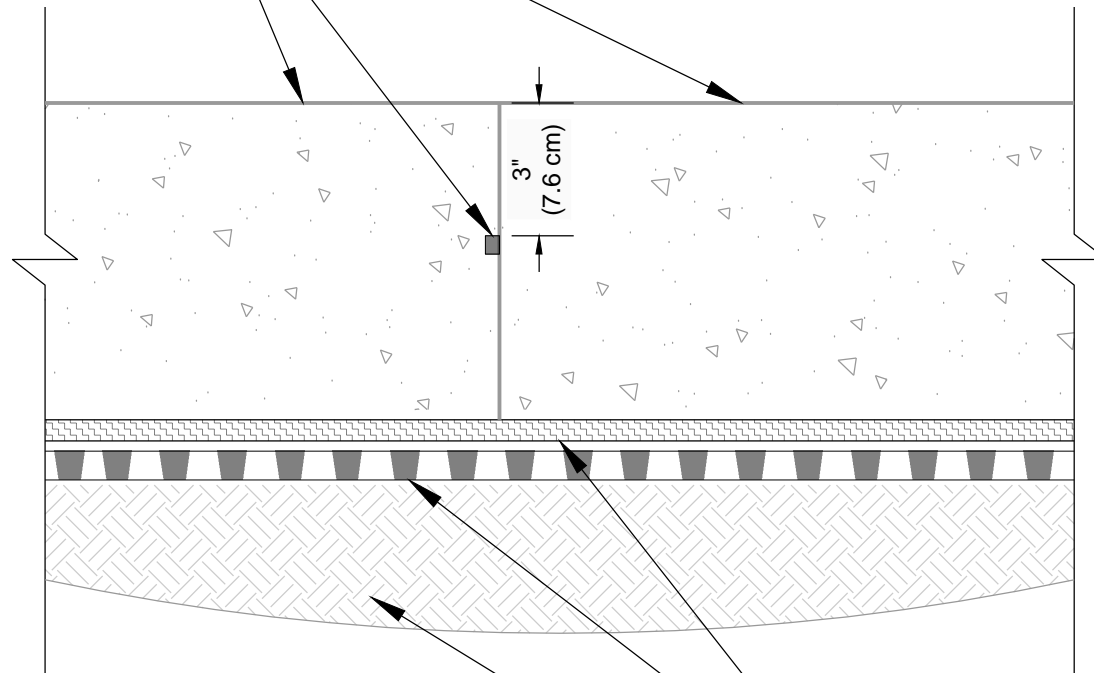
Date: 11/26/24

Drawing Number:

**FBH-3A**

DRAWING NOT TO SCALE

CONCRETE WALL - 1ST POUR  
 MAPESTRIP 25 WATERSTOP  
 CONCRETE WALL - 2ND POUR



MAPEPROOF FBH WATERPROOFING MEMBRANE  
 MAPE DRAIN DRAINAGE COMPOSITE WITH  
 FABRIC SIDE FACING SOIL RETENTION SYSTEM  
 COMPACTED EARTH, COMPACTED STONE  
 OR CONCRETE MUD SLAB

**POLYGLASS**



**polyglass.us**

1111 West Newport Center Drive  
 Deerfield Beach, FL 33442  
 Technical Service: (866) 794-9659  
 technical@polyglass.com

Description:

**CONCRETE SLAB CONSTRUCTION JOINT**

DETAILS ARE INTENDED TO BE A GUIDE FOR WATERPROOFING INSTALLATION ONLY

Supersedes: ----

Date: 11/26/24

Drawing Number:

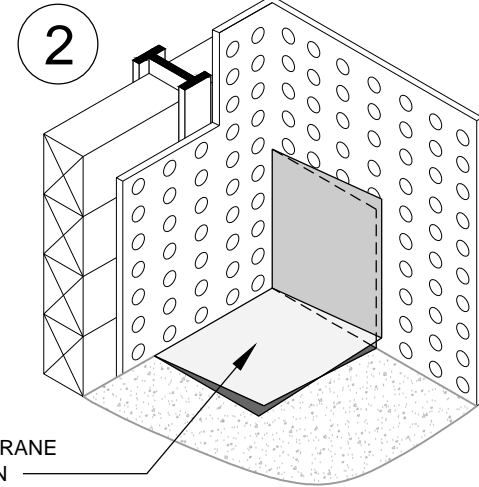
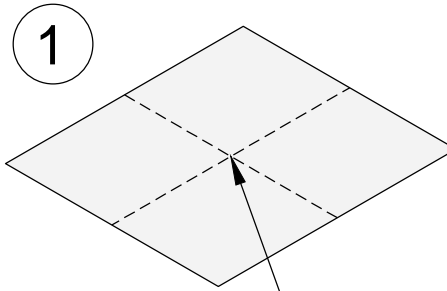
**FBH-3B**

DRAWING NOT TO SCALE

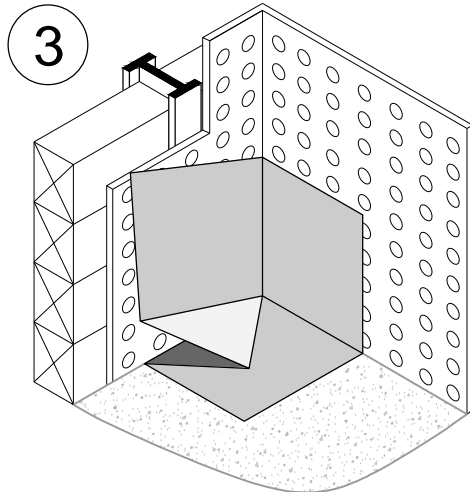
# INSIDE CORNER

## MAPEPROOF FBH WATERPROOFING MEMBRANE

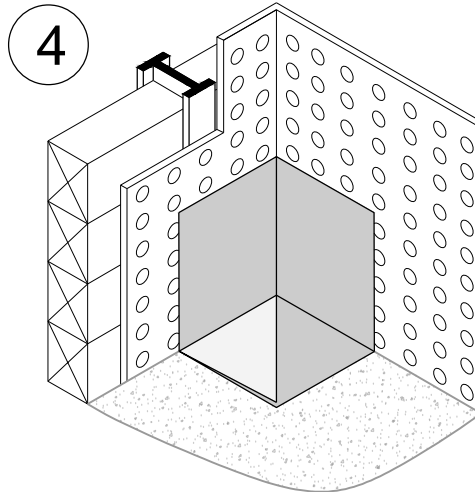
WITH THE ADHESIVE SIDE OF THE MAPEPROOF FBH MEMBRANE FACING UP, CREASE THE MEMBRANE BOTH HORIZONTALLY AND VERTICALLY (USE A STEEL ROLLER TO OBTAIN A TIGHT CREASE)



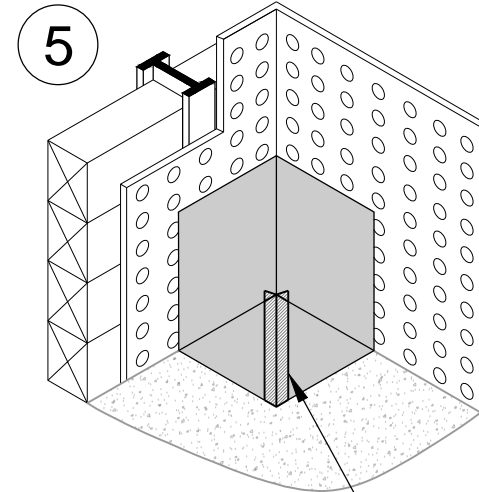
PLACE THE FOLDED MEMBRANE IN THE CORNER AS SHOWN



UNFOLD AND FIT TIGHT TO THE PROFILE OF THE SUBSTRATE CREATING A "PIGS EAR" ON THE HORIZONTAL PLANE



ROLL CREASED "PIGS EAR" FIRMLY WITH A STEEL ROLLER



MAPEPROOF FBH 600 TAPE CENTERED OVER THE "PIGS EAR" CREASE

**POLYGLASS**



**polyglass.us**

1111 West Newport Center Drive  
Deerfield Beach, FL 33442  
Technical Service: (866) 794-9659  
technical@polyglass.com

Description:

# INSIDE CORNER

DETAILS ARE INTENDED TO BE A GUIDE FOR WATERPROOFING INSTALLATION ONLY

Supersedes: ----

Date: 11/26/24

Drawing Number:

**FBH-4A**

DRAWING NOT TO SCALE

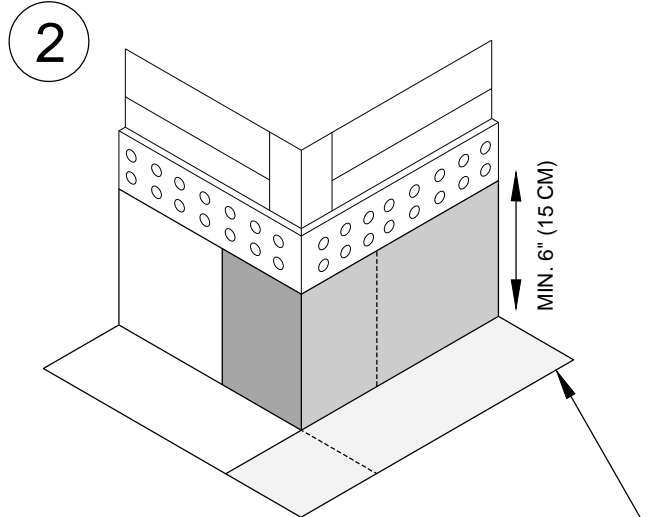
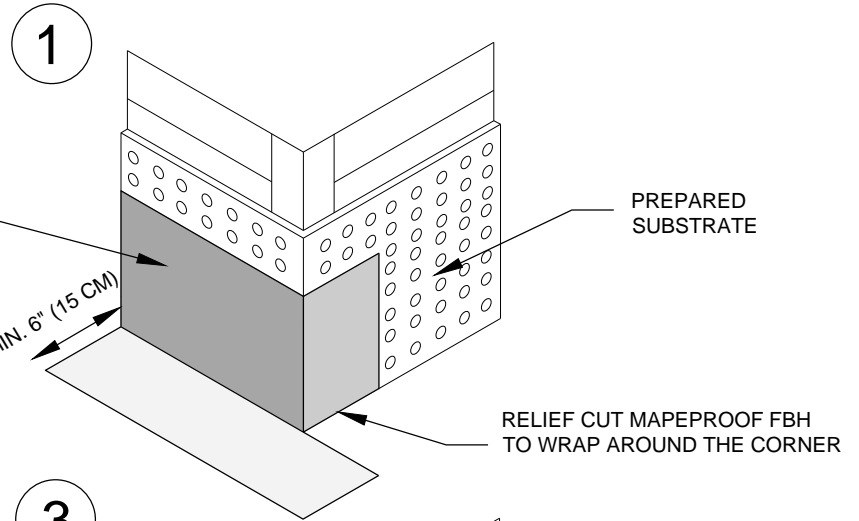


# OUTSIDE CORNER

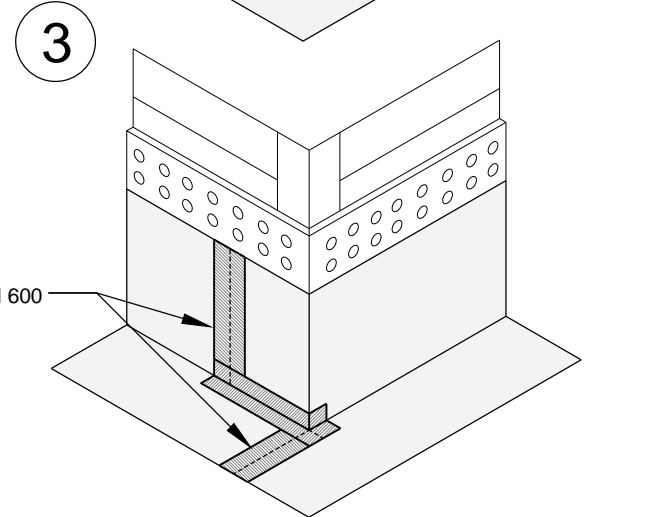
## MAPEPROOF FBH WATERPROOFING MEMBRANE

MAPEPROOF FBH WATERPROOFING MEMBRANE

FOLD/CREASE MAPEPROOF FBH AT BASE OF WALL AND AT CORNER TO ENSURE A TIGHT FIT TO THE PROFILE OF THE SUBSTRATE



REPEAT STEP 1 WITH A SECOND PIECE OF MAPEPROOF FBH MEMBRANE ON ADJACENT CORNER



SEAL ALL RELIEF CUTS AND OVERLAPS OF THE MAPEPROOF FBH MEMBRANE WITH MAPEPROOF FBH 600 TAPE

**POLYGLASS**



**polyglass.us**

1111 West Newport Center Drive  
Deerfield Beach, FL 33442  
Technical Service: (866) 794-9659  
technical@polyglass.com

Description:

# OUTSIDE CORNER

DETAILS ARE INTENDED TO BE A GUIDE FOR WATERPROOFING INSTALLATION ONLY

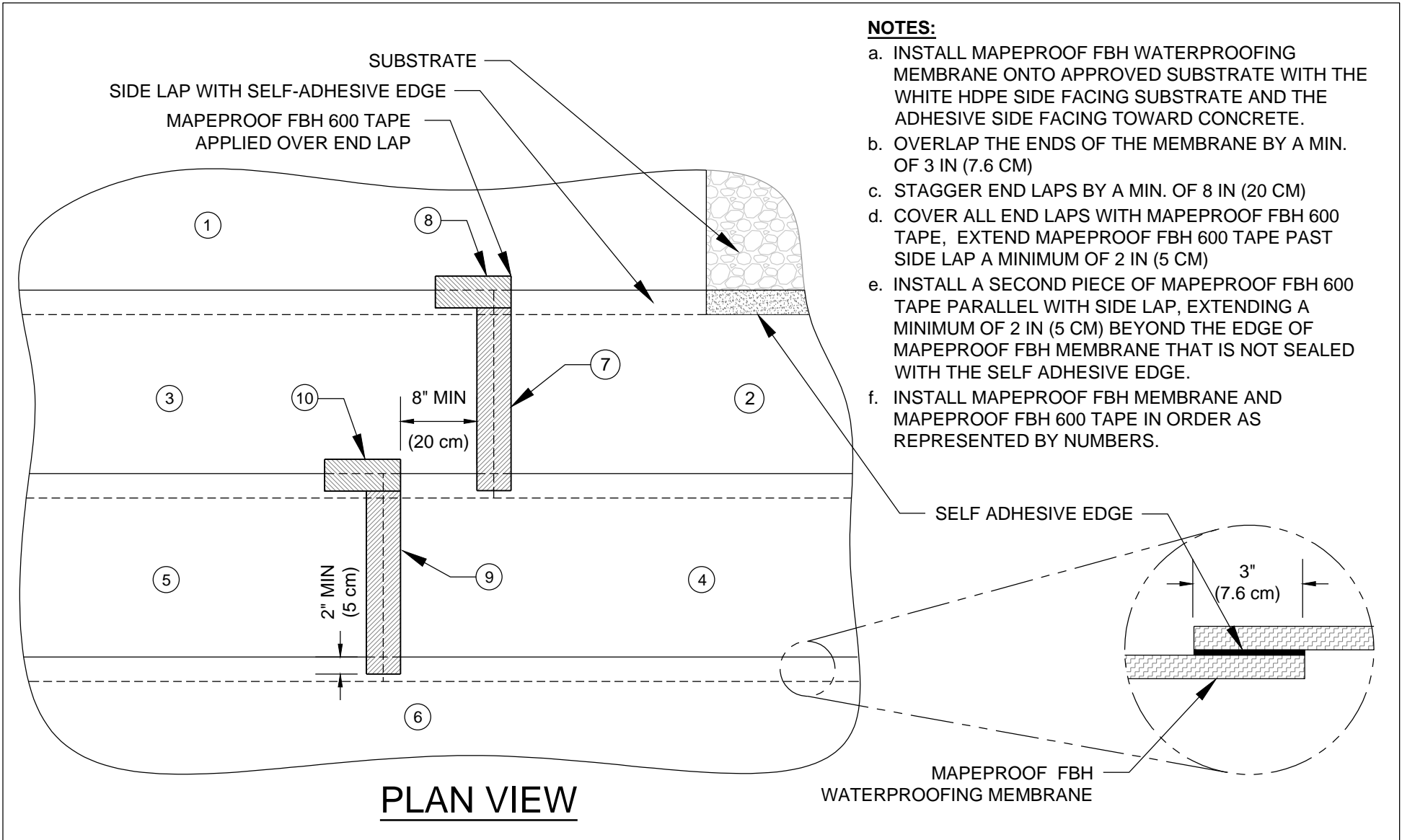
Supersedes: ----

Date: 11/26/24

Drawing Number:

**FBH-4B**

DRAWING NOT TO SCALE



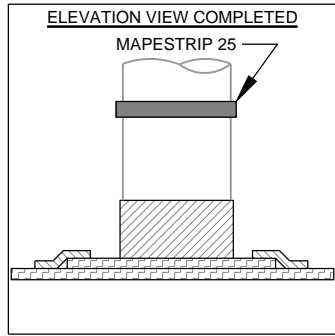
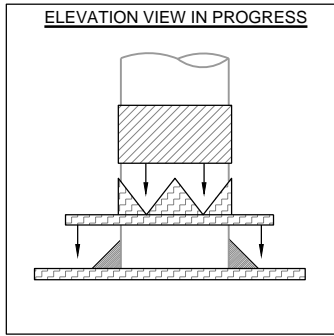
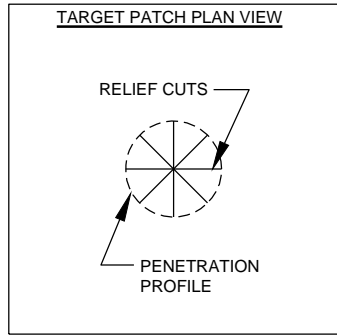
**NOTES:**

- a. INSTALL MAPEPROOF FBH WATERPROOFING MEMBRANE ONTO APPROVED SUBSTRATE WITH THE WHITE HDPE SIDE FACING SUBSTRATE AND THE ADHESIVE SIDE FACING TOWARD CONCRETE.
- b. OVERLAP THE ENDS OF THE MEMBRANE BY A MIN. OF 3 IN (7.6 CM)
- c. STAGGER END LAPS BY A MIN. OF 8 IN (20 CM)
- d. COVER ALL END LAPS WITH MAPEPROOF FBH 600 TAPE, EXTEND MAPEPROOF FBH 600 TAPE PAST SIDE LAP A MINIMUM OF 2 IN (5 CM)
- e. INSTALL A SECOND PIECE OF MAPEPROOF FBH 600 TAPE PARALLEL WITH SIDE LAP, EXTENDING A MINIMUM OF 2 IN (5 CM) BEYOND THE EDGE OF MAPEPROOF FBH MEMBRANE THAT IS NOT SEALED WITH THE SELF ADHESIVE EDGE.
- f. INSTALL MAPEPROOF FBH MEMBRANE AND MAPEPROOF FBH 600 TAPE IN ORDER AS REPRESENTED BY NUMBERS.

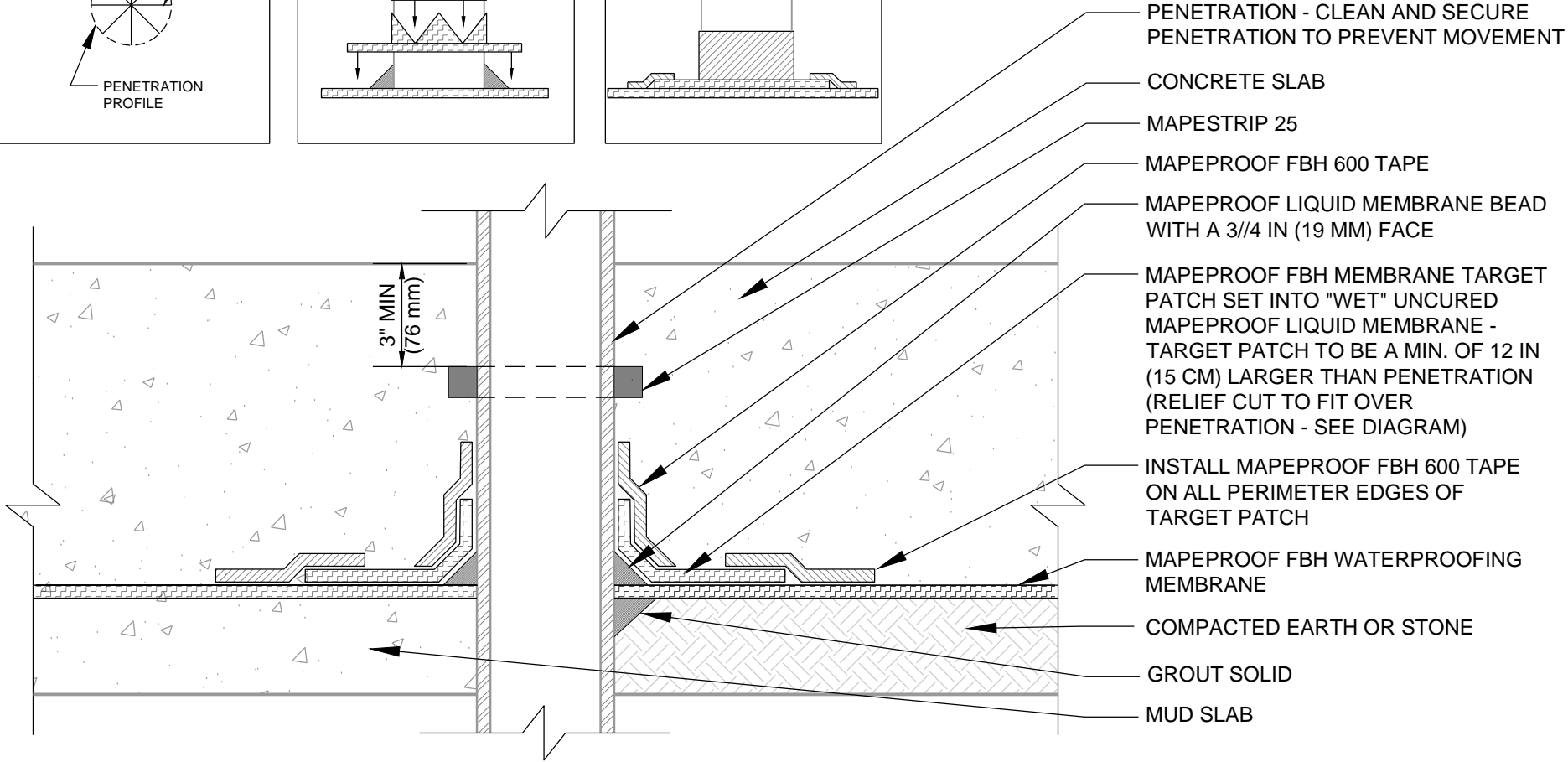
**POLYGLASS**  
 MAPEI GROUP  
 polyglass.us  
 1111 West Newport Center Drive  
 Deerfield Beach, FL 33442  
 Technical Service: (866) 794-9659  
 technical@polyglass.com

Description:  
**END LAPS - VERTICAL OR HORIZONTAL**  
DETAILS ARE INTENDED TO BE A GUIDE FOR WATERPROOFING INSTALLATION ONLY

Supersedes: ----  
 Date: 11/26/24  
 Drawing Number:  
**FBH-5A**  
DRAWING NOT TO SCALE



**NOTES:**  
 MAINTAIN 6 IN (15 CM) BETWEEN PENETRATIONS



**POLYGLASS**



**polyglass.us**

1111 West Newport Center Drive  
 Deerfield Beach, FL 33442  
 Technical Service: (866) 794-9659  
 technical@polyglass.com

Description:

**SLAB PENETRATION**

DETAILS ARE INTENDED TO BE A GUIDE FOR WATERPROOFING INSTALLATION ONLY

Supersedes: ----

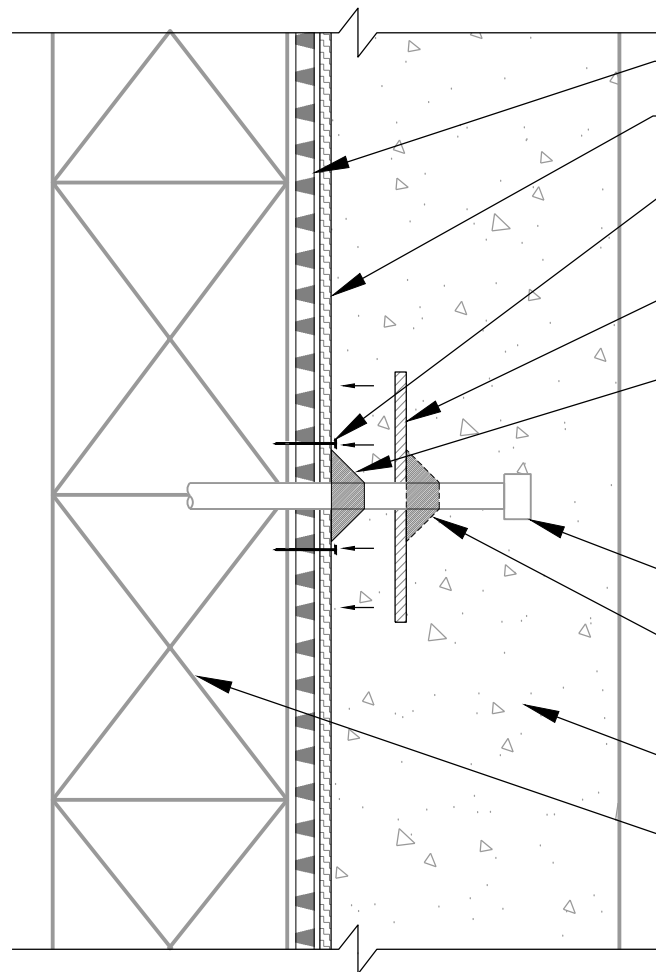
Date: 11/26/24

Drawing Number:

**FBH-6A**

DRAWING NOT TO SCALE





- MAPEDRAIN DRAINAGE COMPOSITE WITH FABRIC FACING SOIL
- MAPEPROOF FBH WATERPROOFING MEMBRANE - CUT TIGHT TO FIT AROUND PENETRATION
- SMALL/SHALLOW HEAD FASTENER AS NEEDED TO ENSURE THE MAPEPROOF FBH WATERPROOFING MEMBRANES REMAINS TIGHT TO THE SUBSTRATE
- MAPEPROOF FBH 600 TAPE APPLIED OVER "WET" (UNCURED) MAPEPROOF LIQUID MEMBRANE (MIN. 8 IN LONG PIECE OF TAPE)
- MAPEPROOF LIQUID MEMBRANE BEAD WITH A 3/4 IN (19 MM) FACE OVER MAPEPROOF FBH WATERPROOFING MEMBRANE
- REBAR, THREADED-ROD, NELSON STUD
- MAPEPROOF LIQUID MEMBRANE BEAD WITH A 3/4 IN (19 MM) FACE AFTER THE INSTALLATION OF MAPEPROOF FBH 600 TAPE
- CONCRETE WALL
- SOIL RETENTION SYSTEM

**POLYGLASS**



**polyglass.us**

1111 West Newport Center Drive  
Deerfield Beach, FL 33442  
Technical Service: (866) 794-9659  
technical@polyglass.com

**Description:**

## REBAR - THREADED-ROD - NELSON STUD

DETAILS ARE INTENDED TO BE A GUIDE FOR WATERPROOFING INSTALLATION ONLY

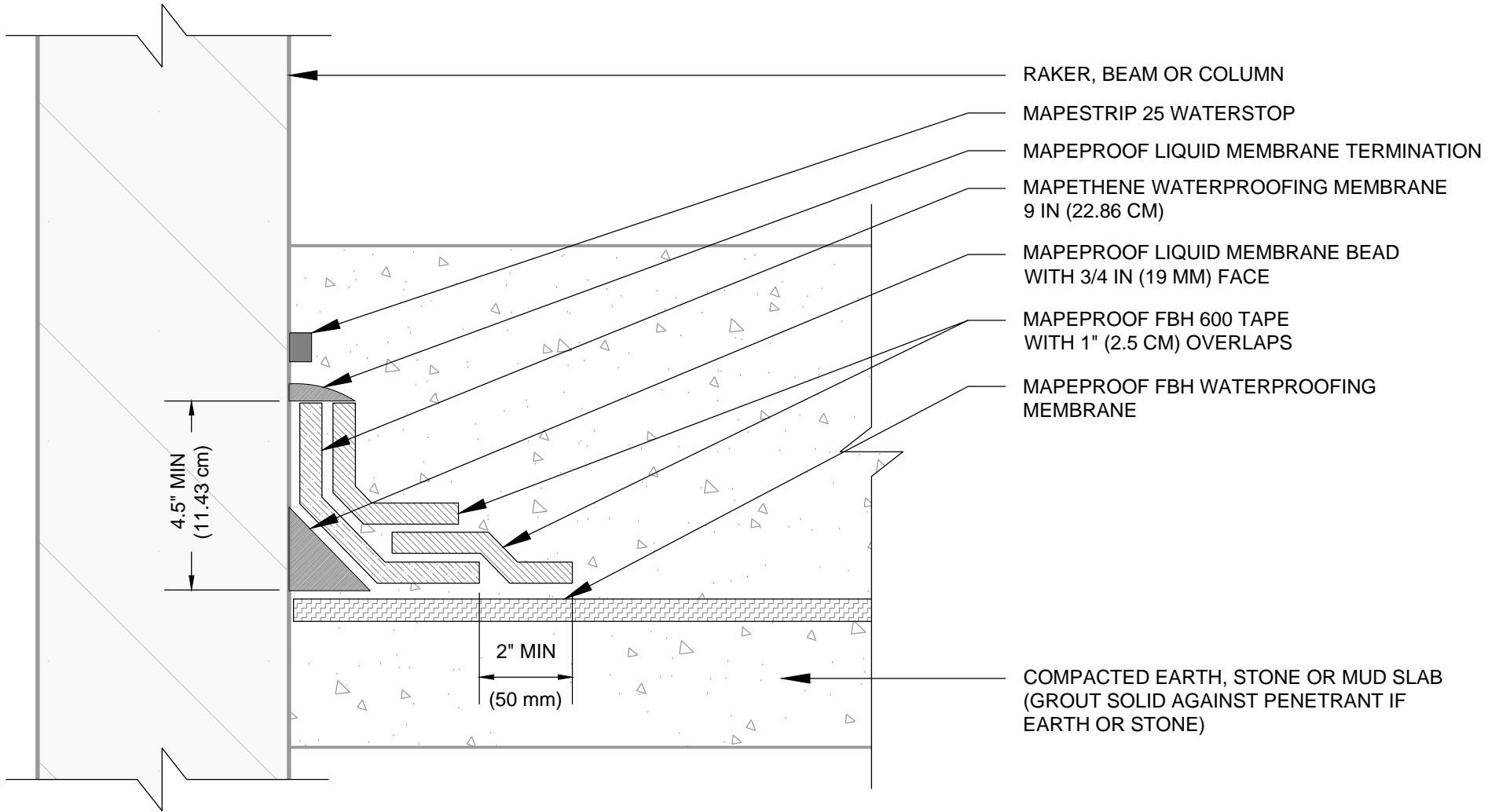
**Supersedes:** ----

**Date:** 11/26/24

**Drawing Number:**

**FBH-6C**

DRAWING NOT TO SCALE



**POLYGLASS**



**polyglass.us**

1111 West Newport Center Drive  
Deerfield Beach, FL 33442  
Technical Service: (866) 794-9659  
technical@polyglass.com

Description:

**STRAIGHT EDGE PENETRATION -  
TERMINATION (RAKER - WALTER -  
BEAM - COLUMN)**

DETAILS ARE INTENDED TO BE A GUIDE FOR WATERPROOFING INSTALLATION ONLY

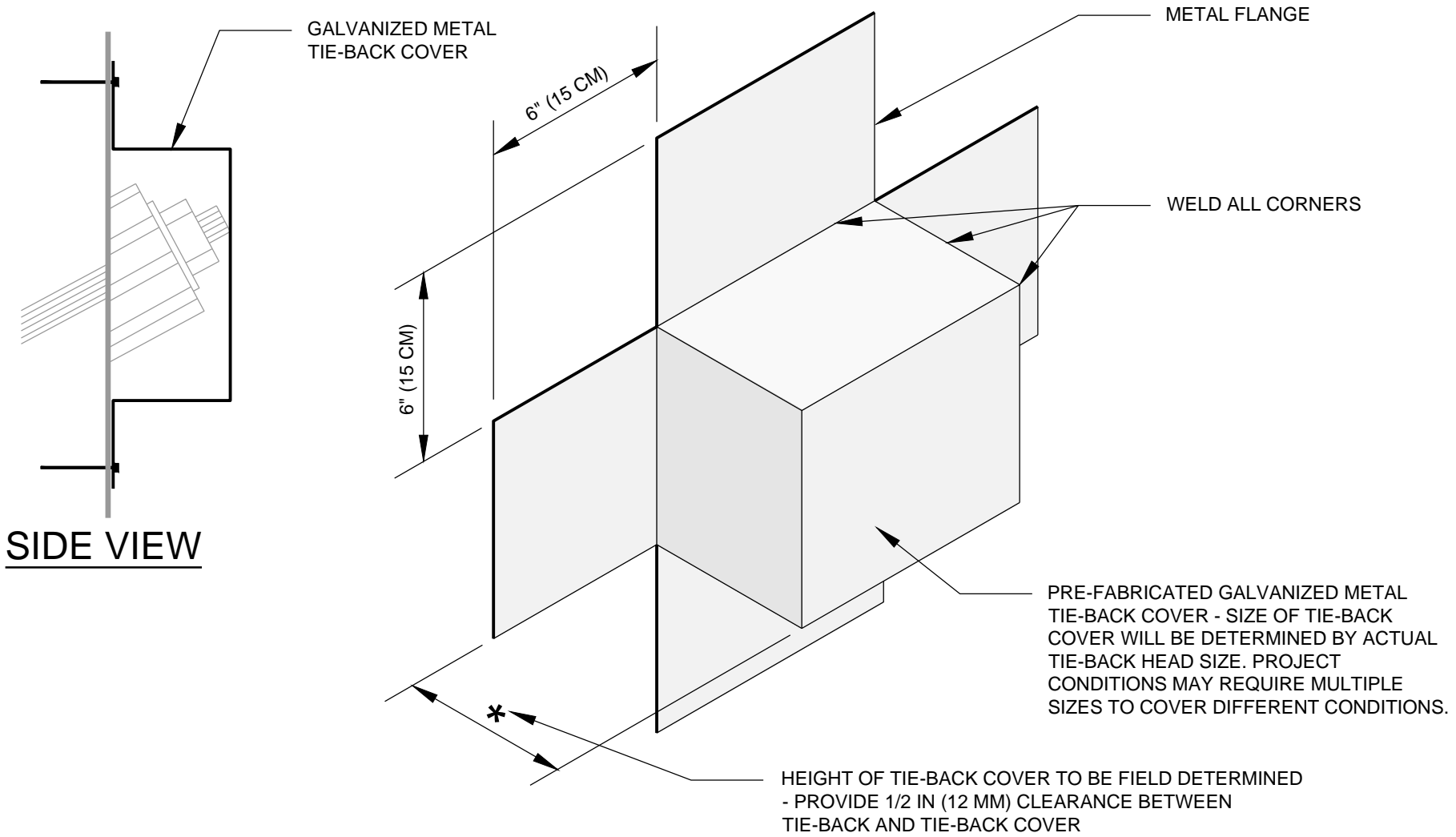
Supersedes: ----

Date: 11/26/24

Drawing Number:

**FBH-6D**

DRAWING NOT TO SCALE



**POLYGLASS**



**polyglass.us**

1111 West Newport Center Drive  
Deerfield Beach, FL 33442  
Technical Service: (866) 794-9659  
technical@polyglass.com

Description:

**PRE-FABRICATED METAL TIE-BACK  
COVER SPECS**

DETAILS ARE INTENDED TO BE A GUIDE FOR WATERPROOFING INSTALLATION ONLY

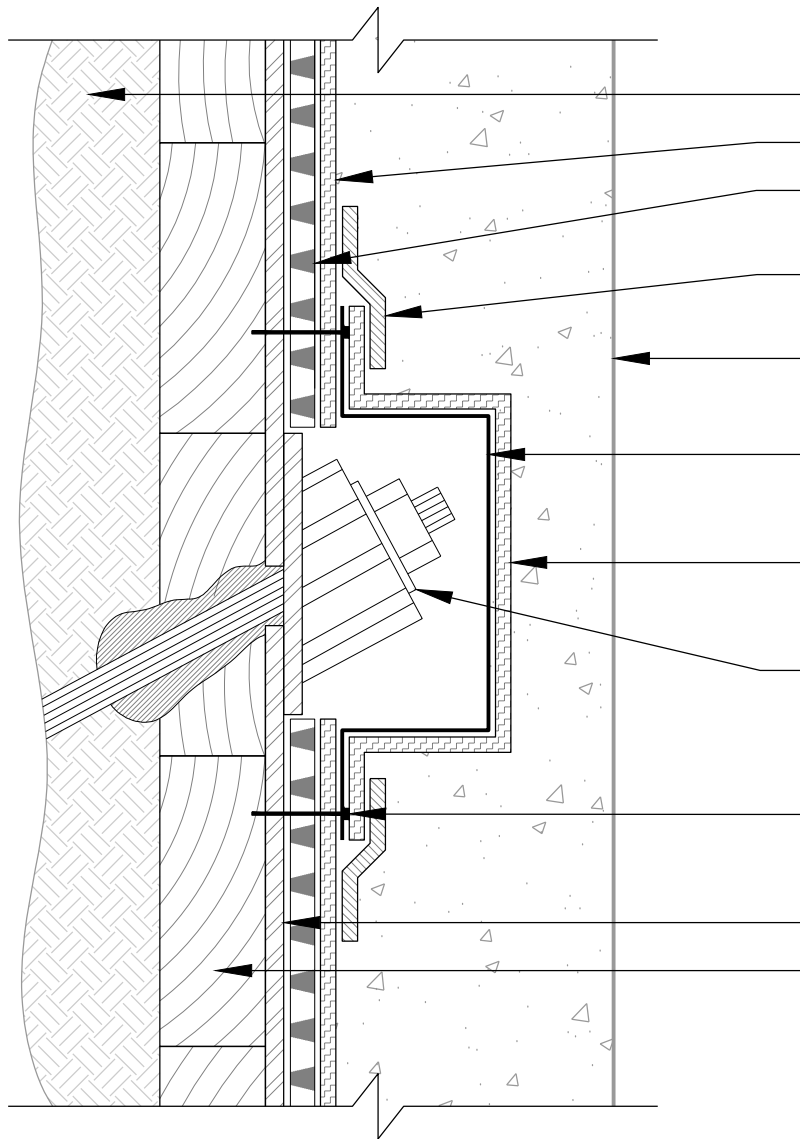
Supersedes: ----

Date: 11/27/24

Drawing Number:

**FBH-7A**

DRAWING NOT TO SCALE



- RETAINED SOIL
- MAPEPROOF FBH WATERPROOFING MEMBRANE
- MAPEDRAIN DRAINAGE COMPOSITE INSTALLED WITH FABRIC TOWARD LAGGING
- MAPEPROOF FBH 600 TAPE
- CONCRETE WALL
- PRE-FABRICATED GALVANIZED METAL TIE-BACK COVER WITH 6 IN (15 CM) FLANGES ON ALL SIDES WITH WELDED CORNERS BY OTHERS - SECURE TO SUBSTRATE
- WRAP TIE-BACK COVER WITH MAPEPROOF FBH WATERPROOFING MEMBRANE OR MAPEPROOF FBH 600 TAPE (IF TAPE IS USED OUTSIDE CORNERS OF THE COVER MUST HAVE DOUBLE COVERAGE)
- TIE-BACK HEAD
- SECURE TIE-BACK COVER WITH FASTENERS AT ALL CORNERS - ADDITIONAL FASTENERS MAY BE REQUIRED TO KEEP FLANGES FLAT OR FOR SECUREMENT
- SOLDIER PILE
- LAGGING

**POLYGLASS**



**polyglass.us**

1111 West Newport Center Drive  
Deerfield Beach, FL 33442  
Technical Service: (866) 794-9659  
technical@polyglass.com

Description:

## PRE-FABRICATED METAL TIE-BACK COVER INSTALLATION

DETAILS ARE INTENDED TO BE A GUIDE FOR WATERPROOFING INSTALLATION ONLY

Supersedes: ----

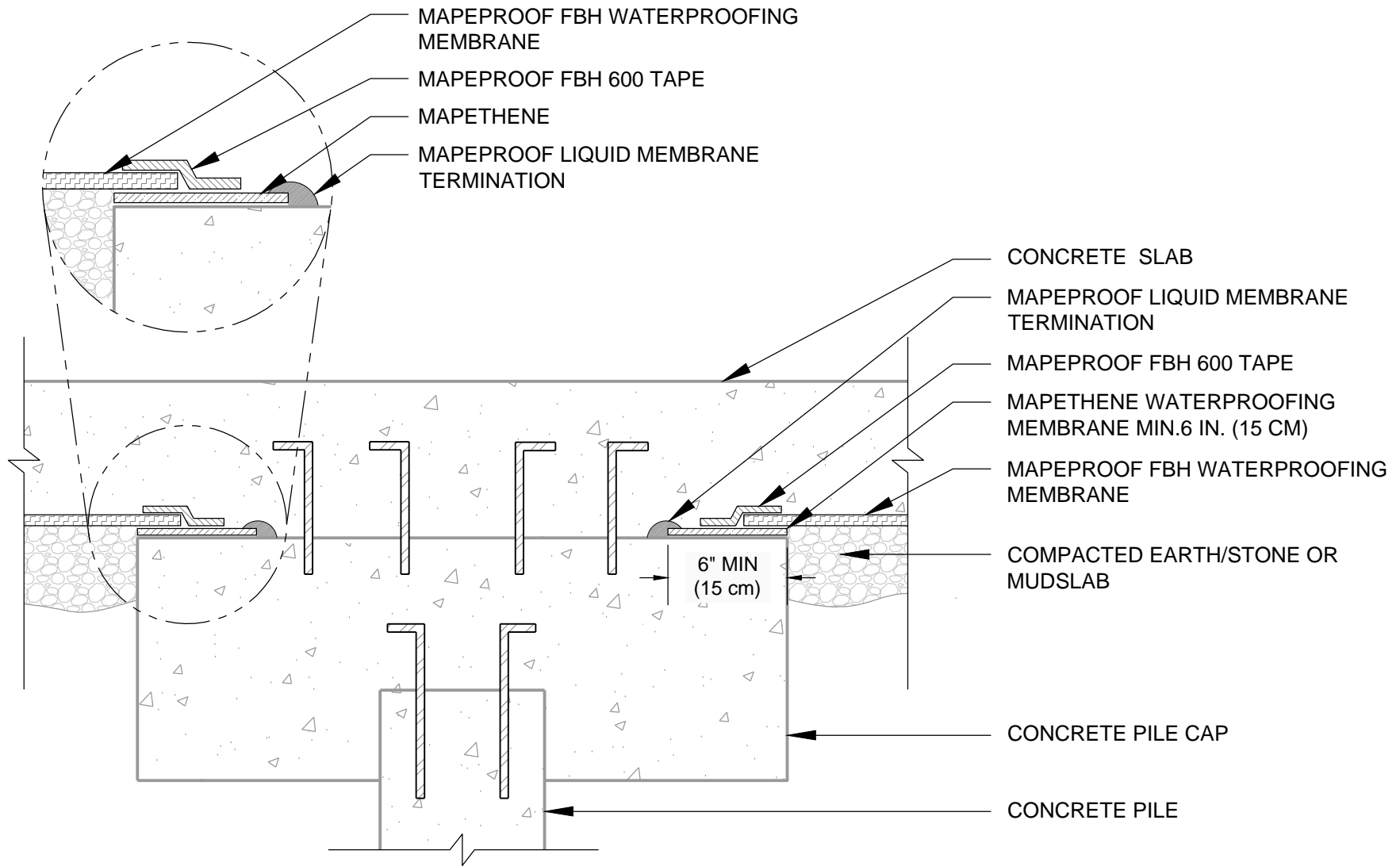
Date: 11/26/24

Drawing Number:

**FBH-7B**

DRAWING NOT TO SCALE





**POLYGLASS**



**polyglass.us**

1111 West Newport Center Drive  
Deerfield Beach, FL 33442  
Technical Service: (866) 794-9659  
technical@polyglass.com

**Description:**

**PILE CAP  
NON-HYDROSTATIC**

DETAILS ARE INTENDED TO BE A GUIDE FOR WATERPROOFING INSTALLATION ONLY

**Supersedes:**

----

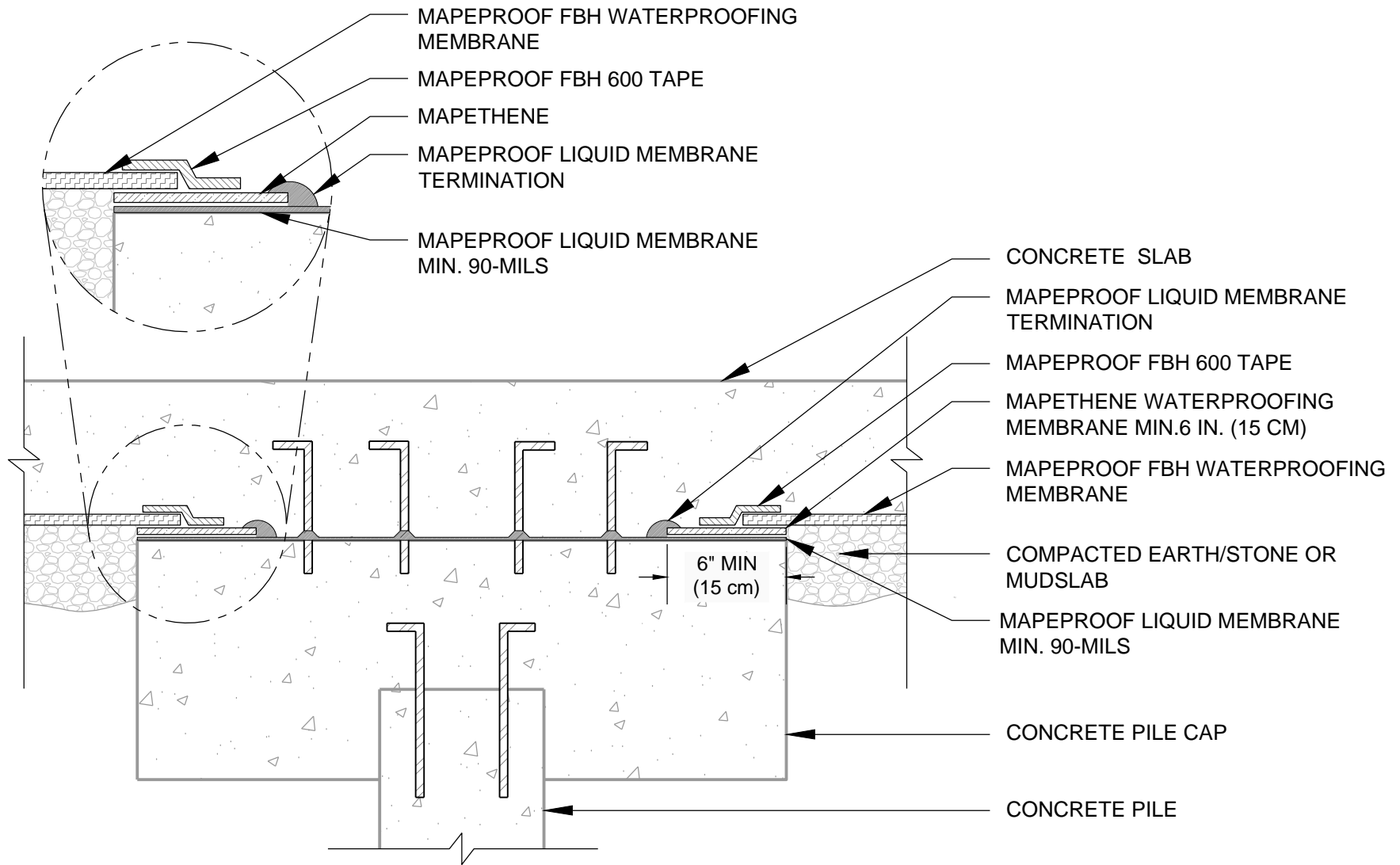
**Date:**

11/26/24

**Drawing Number:**

**FBH-8A**

DRAWING NOT TO SCALE



**POLYGLASS**



**polyglass.us**

1111 West Newport Center Drive  
Deerfield Beach, FL 33442  
Technical Service: (866) 794-9659  
technical@polyglass.com

**Description:**

## PILE CAP HYDROSTATIC

DETAILS ARE INTENDED TO BE A GUIDE FOR WATERPROOFING INSTALLATION ONLY

**Supersedes:**

----

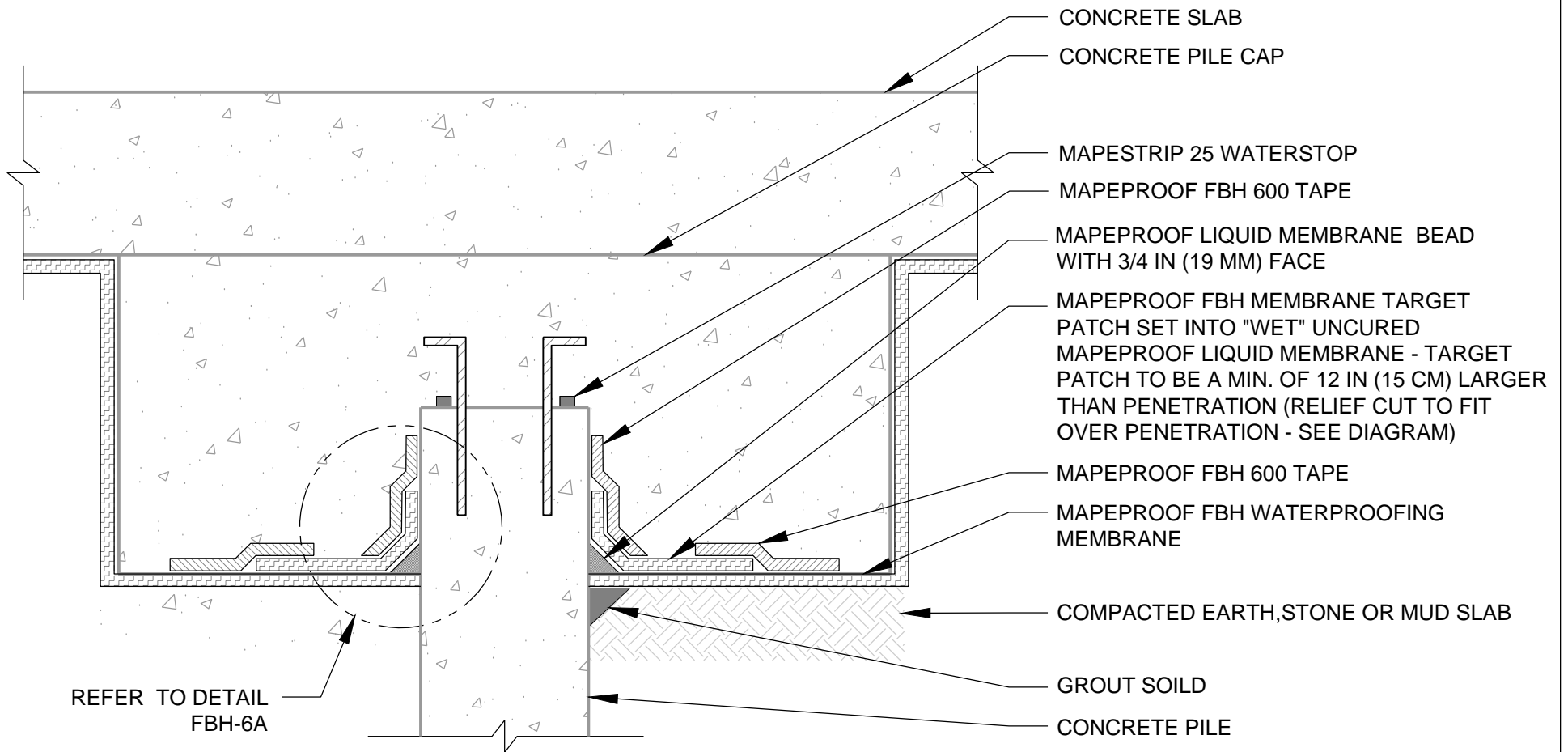
**Date:**

11/26/24

**Drawing Number:**

**FBH-8B**

DRAWING NOT TO SCALE



**POLYGLASS**



**polyglass.us**

1111 West Newport Center Drive  
Deerfield Beach, FL 33442  
Technical Service: (866) 794-9659  
technical@polyglass.com

Description:

**PILE HEAD  
NON-HYDROSTATIC**

DETAILS ARE INTENDED TO BE A GUIDE FOR WATERPROOFING INSTALLATION ONLY

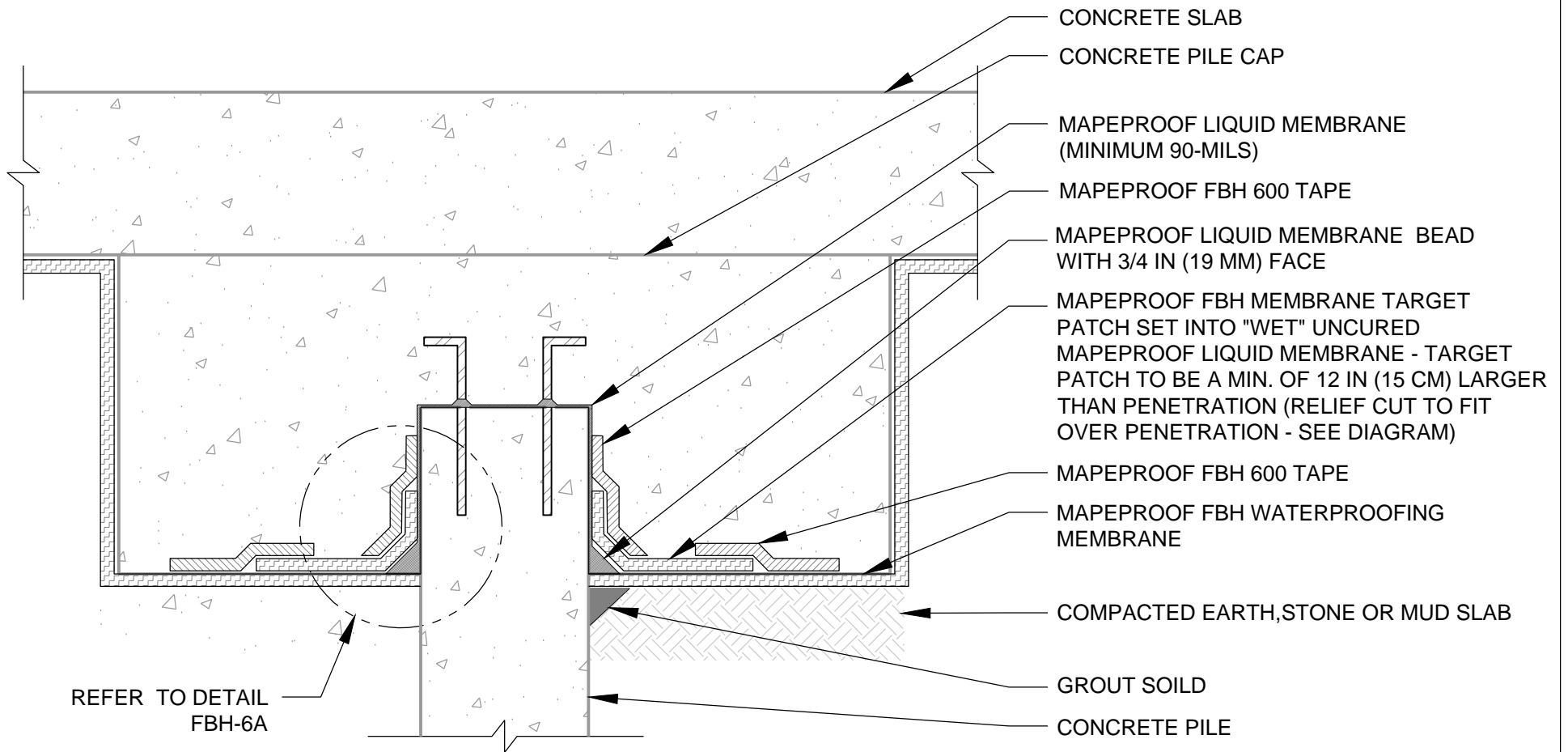
Supersedes: ----

Date: 11/26/24

Drawing Number:

**FBH-8C**

DRAWING NOT TO SCALE



**POLYGLASS**



**polyglass.us**

1111 West Newport Center Drive  
Deerfield Beach, FL 33442  
Technical Service: (866) 794-9659  
technical@polyglass.com

**Description:**

**PILE HEAD  
HYDROSTATIC**

*DETAILS ARE INTENDED TO BE A GUIDE FOR WATERPROOFING INSTALLATION ONLY*

**Supersedes:**

----

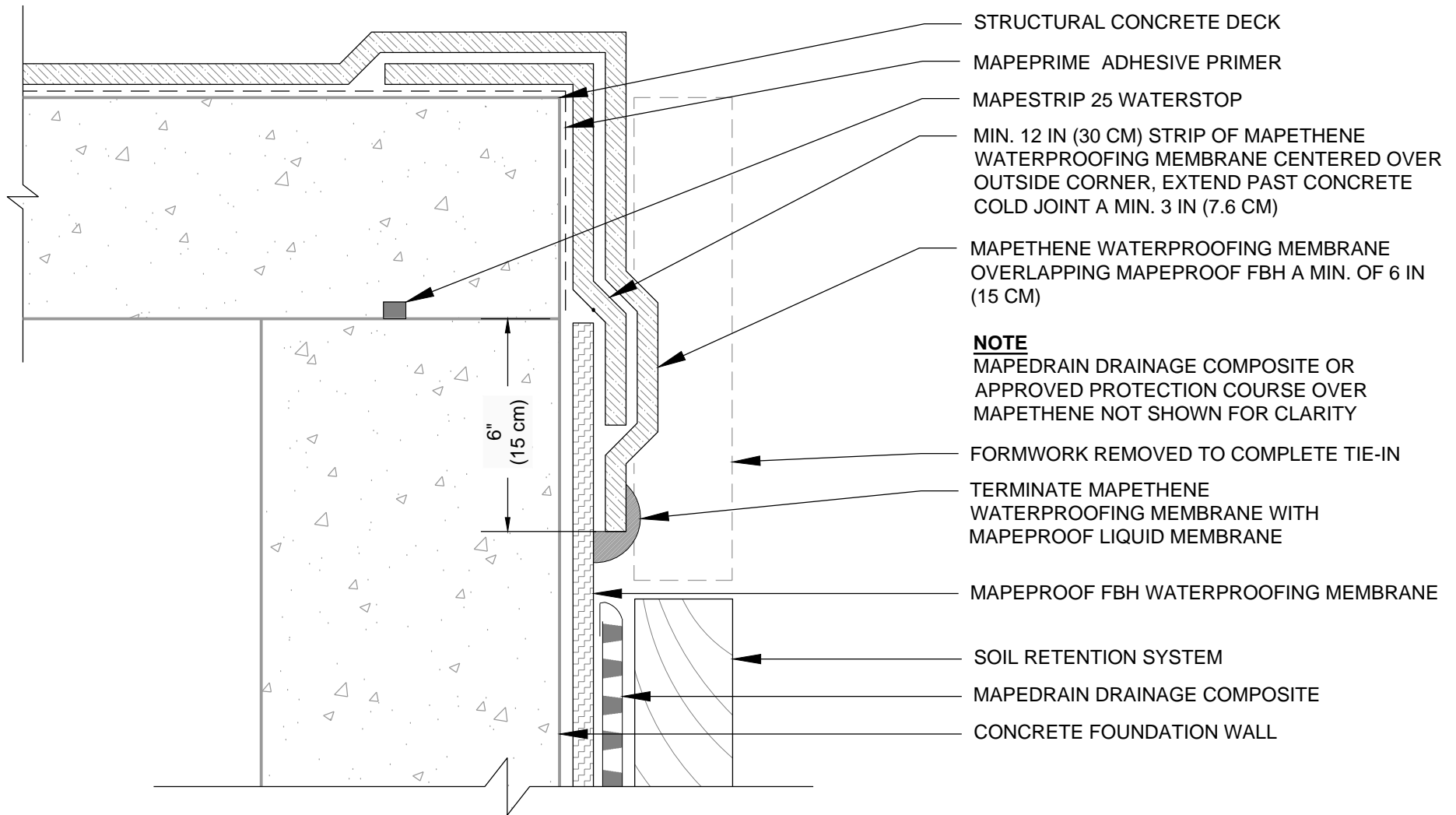
**Date:**

11/26/24

**Drawing Number:**

**FBH-8D**

*DRAWING NOT TO SCALE*



- STRUCTURAL CONCRETE DECK
- MAPEPRIME ADHESIVE PRIMER
- MAPESTRIP 25 WATERSTOP
- MIN. 12 IN (30 CM) STRIP OF MAPETHENE WATERPROOFING MEMBRANE CENTERED OVER OUTSIDE CORNER, EXTEND PAST CONCRETE COLD JOINT A MIN. 3 IN (7.6 CM)
- MAPETHENE WATERPROOFING MEMBRANE OVERLAPPING MAPEPROOF FBH A MIN. OF 6 IN (15 CM)
- NOTE**  
MAPEDRAIN DRAINAGE COMPOSITE OR APPROVED PROTECTION COURSE OVER MAPETHENE NOT SHOWN FOR CLARITY
- FORMWORK REMOVED TO COMPLETE TIE-IN
- TERMINATE MAPETHENE WATERPROOFING MEMBRANE WITH MAPEPROOF LIQUID MEMBRANE
- MAPEPROOF FBH WATERPROOFING MEMBRANE
- SOIL RETENTION SYSTEM
- MAPEDRAIN DRAINAGE COMPOSITE
- CONCRETE FOUNDATION WALL

**POLYGLASS**  
  
 polyglass.us  
 1111 West Newport Center Drive  
 Deerfield Beach, FL 33442  
 Technical Service: (866) 794-9659  
 technical@polyglass.com

**Description:**

**DECK-FOUNDATION WALL MAPETHENE  
TO MAPEPROOF FBH TIE-IN**

DETAILS ARE INTENDED TO BE A GUIDE FOR WATERPROOFING INSTALLATION ONLY

**Supersedes:** ----

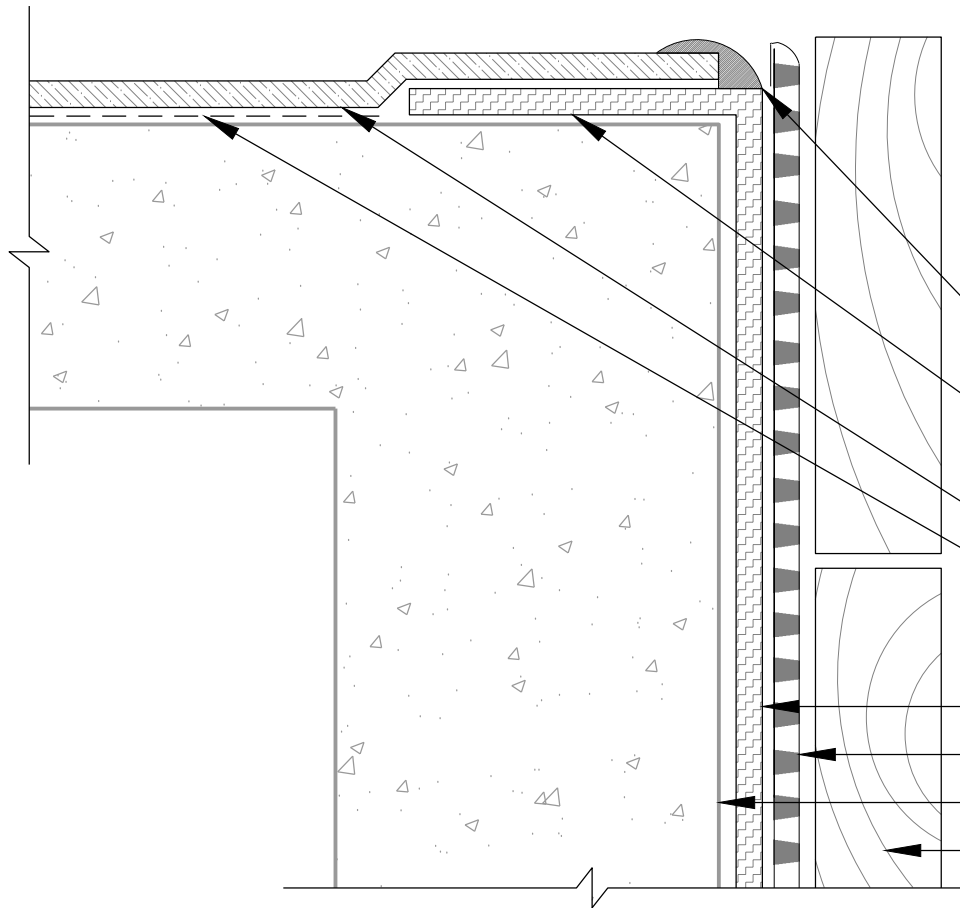
**Date:** 11/26/24

**Drawing Number:**

**FBH-9A**

DRAWING NOT TO SCALE

# PLAN VIEW



## NOTES

1. AS FORMWORK IS INSTALLED, EXTEND THE MAPEPROOF FBH PRO WATERPROOFING MEMBRANE A MIN OF 12 IN (300 MM) INSIDE THE FORMWORK WITH A SHARP CREASE IN THE CORNER CONFORMING TO THE SUBSTRATE AND SECURE TO THE INSIDE OF THE FORM.
2. MAPEDRAIN DRAINAGE COMPOSITE OR APPROVED PROTECTION COURSE OVER MAPETHENE AND MAPEPROOF FBH TIE-IN REQUIRED, NOT SHOWN FOR CLARITY.

TERMINATE MAPETHENE WATERPROOFING MEMBRANE WITH MAPEPROOF LIQUID MEMBRANE

EXTEND MAPEPROOF FBH PRO WATERPROOFING MEMBRANE A MIN. OF 12 IN. (300 MM) INSIDE THE VERTICAL FORMWORK (SEE NOTE 1)

MAPETHENE WATERPROOFING MEMBRANE

MAPEPRIME ADHESIVE PRIMER

MAPEPROOF FBH WATERPROOFING MEMBRANE

MAPEDRAIN DRAINAGE COMPOSITE

STRUCTURAL CONCRETE WALL

SOIL RETENTION SYSTEM

**POLYGLASS**



**polyglass.us**

1111 West Newport Center Drive  
Deerfield Beach, FL 33442  
Technical Service: (866) 794-9659  
technical@polyglass.com

Description:

## FOUNDATION WALL MAPETHENE TO MAPEPROOF FBH TIE-IN

DETAILS ARE INTENDED TO BE A GUIDE FOR WATERPROOFING INSTALLATION ONLY

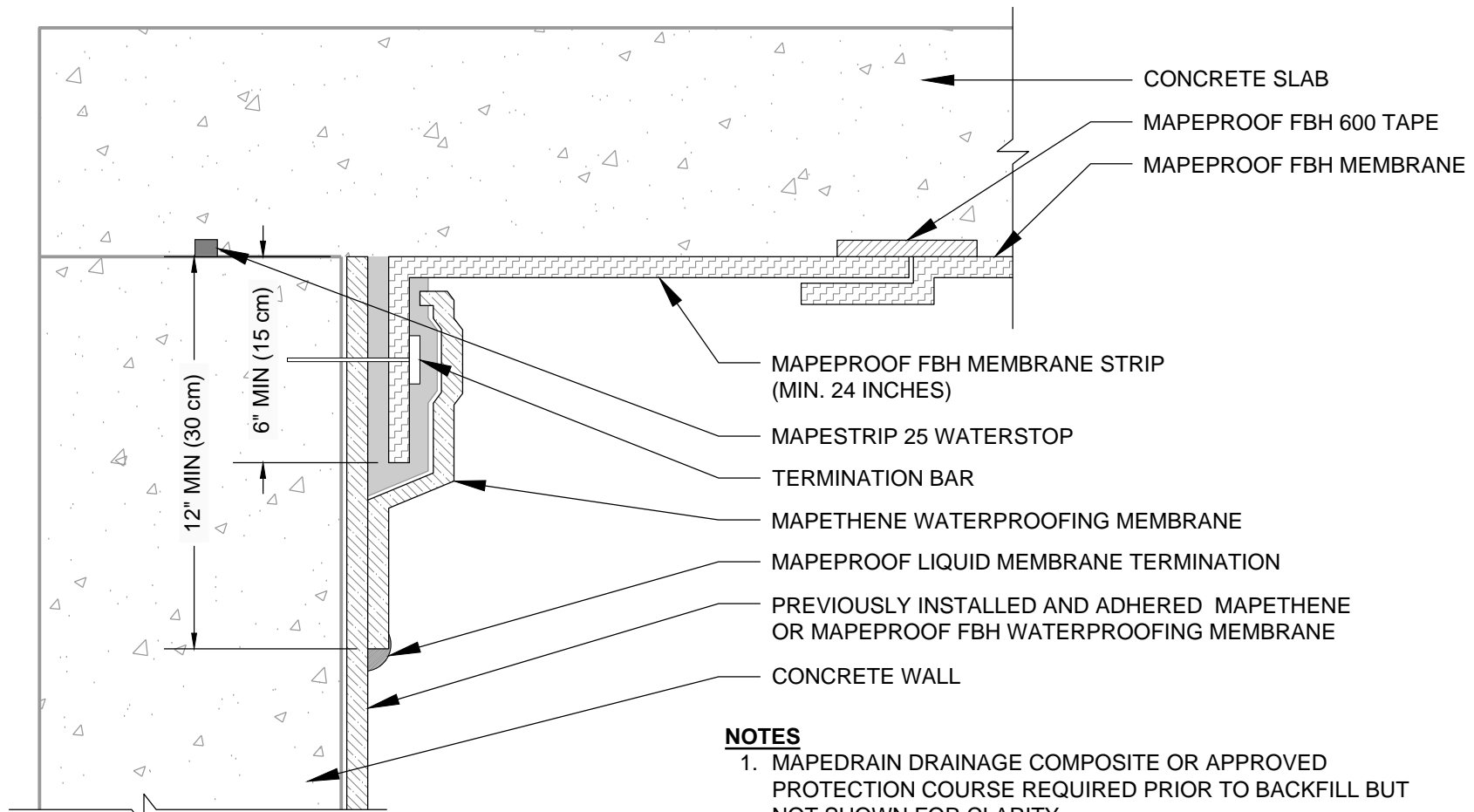
Supersedes: ----

Date: 11/26/24

Drawing Number:

**FBH-9B**

DRAWING NOT TO SCALE



**NOTES**

1. MAPEADRAIN DRAINAGE COMPOSITE OR APPROVED PROTECTION COURSE REQUIRED PRIOR TO BACKFILL BUT NOT SHOWN FOR CLARITY.
2. MAPEPROOF FBH STRIP MUST BE SET INTO "WET" UNCURED MAPEPROOF LIQUID MEMBRANE AND PROTECTED DURING BACKFILL AND COMPACTION.

**POLYGLASS**



**polyglass.us**

1111 West Newport Center Drive  
Deerfield Beach, FL 33442  
Technical Service: (866) 794-9659  
technical@polyglass.com

Description:

**MAPEPROOF FBH TIE-IN TO EXISTING  
MAPETHENE OR MAPEPROOF FBH**

DETAILS ARE INTENDED TO BE A GUIDE FOR WATERPROOFING INSTALLATION ONLY

Supersedes: ----

Date: 11/26/24

Drawing Number:

**FBH-9C**

DRAWING NOT TO SCALE