

TECNOCOAT SPRAY APPLIED WATERPROOFING SYSTEM DRAWING LIST

GENERAL ASSEMBLIES

- TECS-WATERPROOFING ASSEMBLY
- TECS-PEDESTRIAN / VEHICULAR ASSEMBLY
- TECS-PLYWOOD ASSEMBLY
- TECS-PLYWOOD ASSEMBLY WITH TOPCOAT
- TECS-SPLIT SLAB
- TECS-INSULATED SPLIT SLAB
- TECS-PEDESTAL PAVERS
- TECS-GREEN/VEGETATIVE ROOF SYSTEM
- TECS-THINSET AND TILE

SUBSTRATE PREPARATION

- TECS-CRACK TREATMENT
- TECS-CRACK TREATMENT WITH TOPCOAT

CORNERS

- TECS-OUTSIDE CORNERS
- TECS-OUTSIDE CORNERS WITH TOPCOAT

FLASHING

- TECS-FLASHING AT DECK TO CURB / WALL
- TECS-FLASHING AT DECK TO CURB / WALL WITH TOPCOAT

DRAINS

- TECS-BI-LEVEL DRAIN
- TECS-SURFACE DRAIN WITH TOPCOAT

PENETRATIONS

- TECS-PENETRATION DECK OR WALL
- TECS-PENETRATION WITH TOPCOAT DECK OR WALL
- TECS-SCUPPER
- TECS-SCUPPER WITH TOPCOAT
- TECS-MOUNTING PLATE
- TECS-MOUNTING PLATE WITH TOPCOAT

BELOW GRADE

- TECS-BELOW GRADE WALL TIE-IN TO MAPEPROOF AL PRO
- TECS-ELEVATOR PIT

POLYGLASS



polyglass.us

1111 West Newport Center Drive
Deerfield Beach, FL 33442
Technical Service: (866) 794-9659
technical@polyglass.com

Description:

DRAWING LIST

TECNOCOAT SPRAY APPLIED SYSTEM

DETAILS ARE INTENDED TO BE A GUIDE FOR WATERPROOFING INSTALLATION ONLY

Supersedes: NEW

Date: 01/16/2025

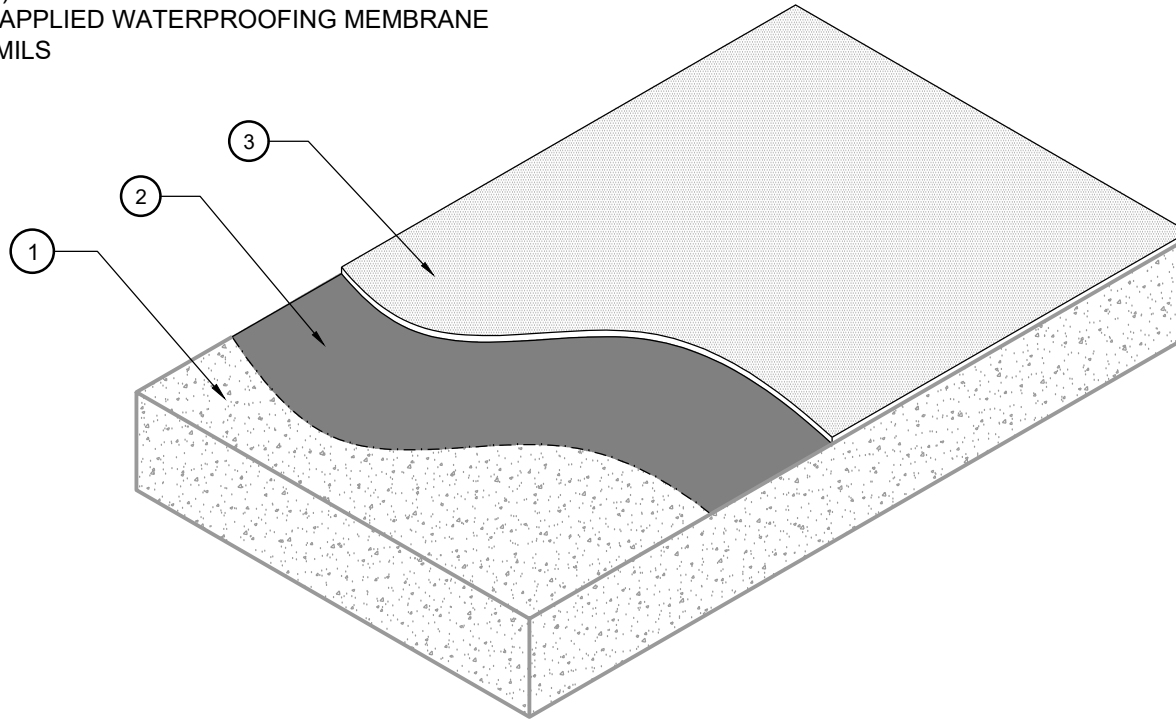
Drawing Number:

TECS-DRAWING LIST

DRAWING NOT TO SCALE

SYSTEM INSTALLATION

1. STRUCTURAL DECK AS SPECIFIED
2. PRIMER (SEE NOTE 2)
3. TECNOCOAT SPRAY APPLIED WATERPROOFING MEMBRANE APPLIED AT MIN. 80-MILS



NOTES:

1. THIS DETAIL IS APPLICABLE FOR THE FOLLOWING SPRAY APPLIED WATERPROOFING SYSTEMS: TECNOCOAT P-2049 AND H-2049
2. APPLICABLE PRIMERS FOR CONCRETE SUBSTRATES INCLUDE, EP-1010, EP-1020, PRIMER WET, PU-1050, AND PUc-1050
3. DO NOT EXTEND THE TECNOCOAT SPRAY APPLIED WATERPROOFING ABOVE/BEYOND PRIMED SURFACES - EXTEND THE PRIMER APPROX. 2 IN (50 MM) BEYOND THE AREA TO RECEIVE THE SPRAY APPLIED WATERPROOFING
4. OVERBURDEN NOT SHOWN FOR CLARITY
5. REFER TO INDIVIDUAL PRODUCT DATA SHEETS FOR ADDITIONAL INSTALLATION INSTRUCTIONS

POLYGLASS



polyglass.us

1111 West Newport Center Drive
Deerfield Beach, FL 33442
Technical Service: (866) 794-9659
technical@polyglass.com

Description:

**WATERPROOFING ASSEMBLY
TECNOCOAT SPRAY APPLIED SYSTEMS**

DETAILS ARE INTENDED TO BE A GUIDE FOR WATERPROOFING INSTALLATION ONLY

Supersedes:

NEW

Date:

01/16/2025

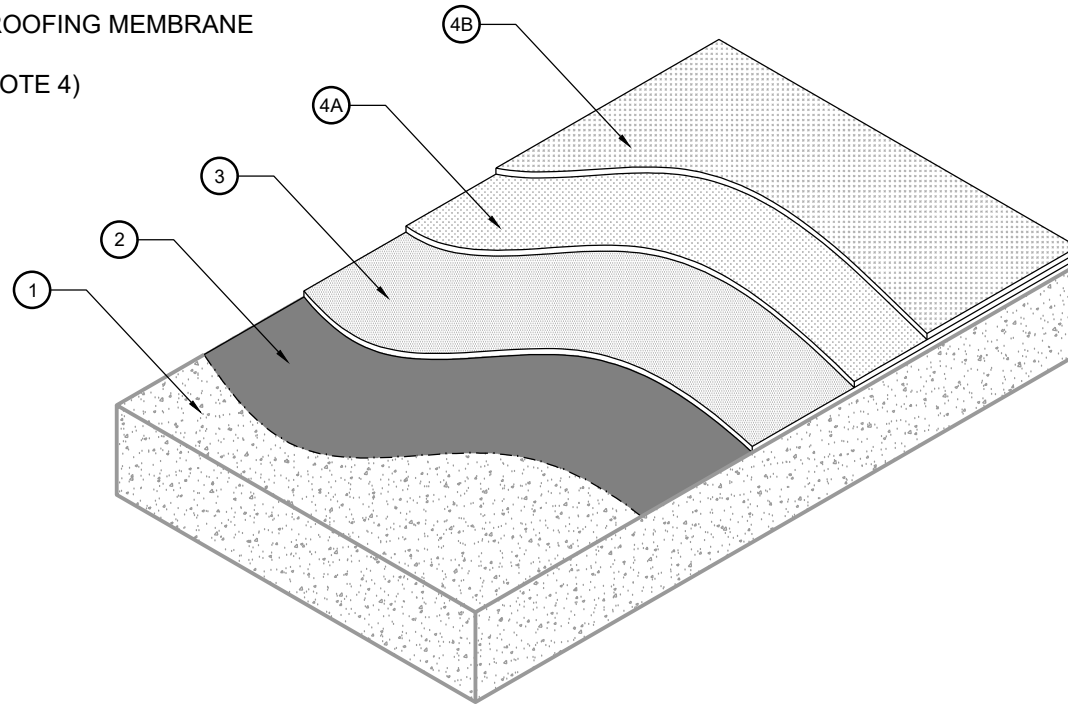
Drawing Number:

TECS-WATERPROOFING ASSEMBLY

DRAWING NOT TO SCALE

SYSTEM INSTALLATION

1. STRUCTURAL DECK AS SPECIFIED
2. PRIMER (SEE NOTE 2)
3. TECNOCOAT SPRAY APPLIED WATERPROOFING MEMBRANE APPLIED AT MIN. 80-MILS
- 4A. TOPCOAT SANDED TO REFUSAL (SEE NOTE 4)
- 4B. TOPCOAT (SEE NOTE 4)



NOTES:

1. THIS DETAIL IS APPLICABLE FOR THE FOLLOWING SPRAY APPLIED WATERPROOFING SYSTEMS: TECNOCOAT P-2049 AND H-2049
2. APPLICABLE PRIMERS FOR CONCRETE SUBSTRATES INCLUDE, EP-1010, EP-1020, PRIMER WET, PU-1050, AND PUc-1050
3. DO NOT EXTEND THE TECNOCOAT SPRAY APPLIED WATERPROOFING ABOVE/BEYOND PRIMED SURFACES - EXTEND THE PRIMER APPROX. 2 IN (50 MM) BEYOND THE AREA TO RECEIVE THE SPRAY APPLIED WATERPROOFING
4. CHOOSE APPLICABLE TECNOTOP TOPCOAT PER PROJECT REQUIREMENTS, REFER TO INDIVIDUAL DATA SHEETS FOR APPLICATION INSTRUCTIONS AND APPROPRIATE MIL THICKNESS
5. REFER TO INDIVIDUAL PRODUCT DATA SHEETS FOR ADDITIONAL INSTALLATION INSTRUCTIONS

POLYGLASS



polyglass.us

1111 West Newport Center Drive
Deerfield Beach, FL 33442
Technical Service: (866) 794-9659
technical@polyglass.com

Description:

**WATERPROOFING / PEDESTRIAN /
VEHICULAR ASSEMBLY
TECNOCOAT SPRAY APPLIED SYSTEMS**

DETAILS ARE INTENDED TO BE A GUIDE FOR WATERPROOFING INSTALLATION ONLY

Supersedes:

NEW

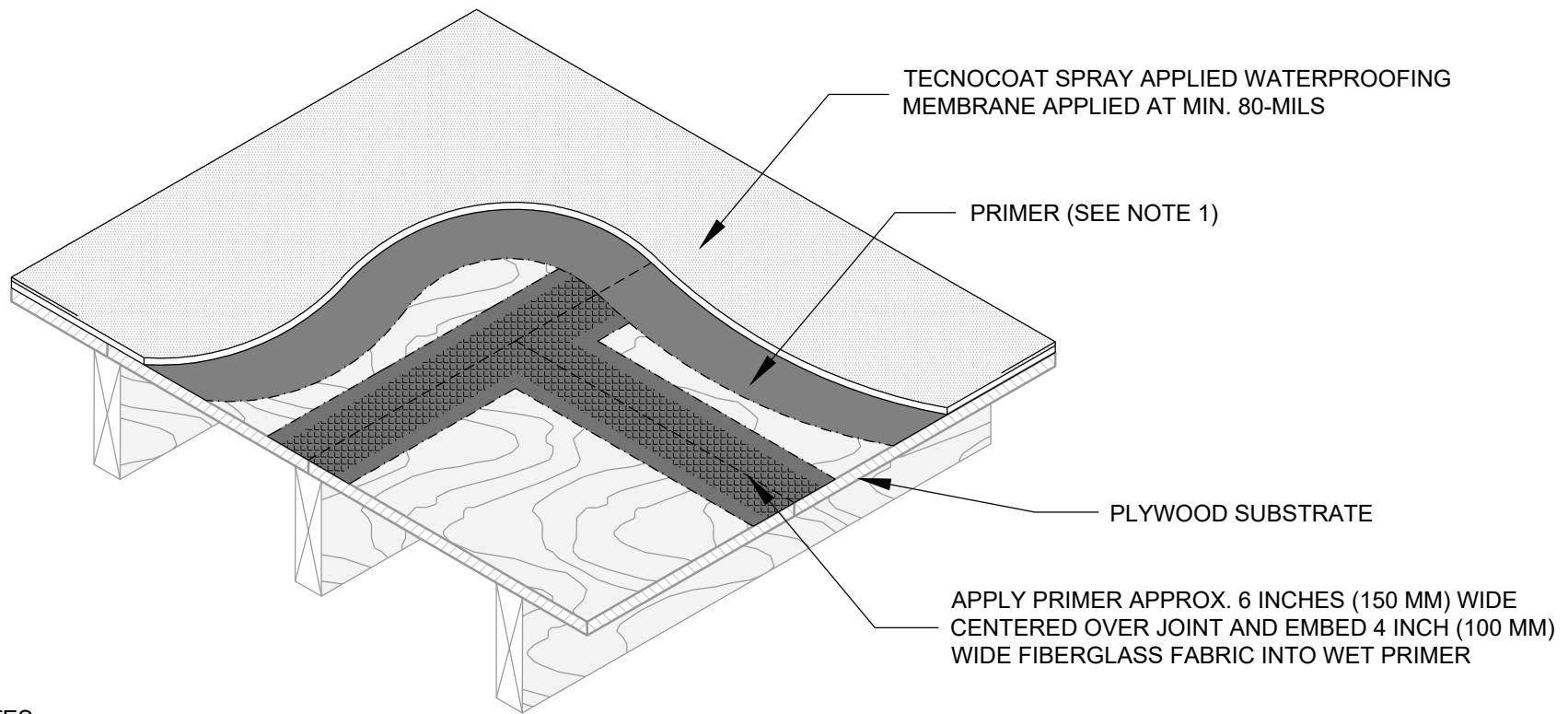
Date:

01/16/2025

Drawing Number:

TECS-WATERPROOFING /
PEDESTRIAN / VEHICULAR
ASSEMBLY

DRAWING NOT TO SCALE



NOTES:

1. APPLICABLE PRIMERS FOR PLYWOOD SUBSTRATES INCLUDE, EP-1010, PU-1050 AND PUC-1050
2. DO NOT EXTEND THE TECNOCOAT SPRAY APPLIED WATERPROOFING ABOVE/BEYOND PRIMED SURFACES - EXTEND THE PRIMER APPROX. 2 IN (50 MM) BEYOND THE AREA TO RECEIVE THE SPRAY APPLIED WATERPROOFING
3. PLYWOOD MUST MEET EXTERIOR GRADE APA EXPOSURE REQUIREMENTS
4. ENSURE THE ASSEMBLY HAS ADEQUATE VENTILATION IF APPLICABLE AND COMPLIES WITH ALL BUILDING CODE REQUIREMENTS
5. PLYWOOD MUST BE CLEAN, DRY WITH FLUSH PANEL JOINTS, SUPPORTED BY FRAMING/BLOCKING BETWEEN JOISTS
6. THE SYSTEM MUST BE INTEGRATED WITH PROPERLY INSTALLED FLASHINGS WHEN APPLICABLE TO FORM A WATERTIGHT AND WATER SHEDDING APPLICATION
7. OVERBURDEN NOT SHOWN FOR CLARITY
8. REFER TO INDIVIDUAL PRODUCT DATA SHEETS FOR ADDITIONAL INSTALLATION INSTRUCTIONS

POLYGLASS



polyglass.us

1111 West Newport Center Drive
Deerfield Beach, FL 33442
Technical Service: (866) 794-9659
technical@polyglass.com

Description:

**PLYWOOD ASSEMBLY
TECNOCOAT SPRAY APPLIED SYSTEMS**

DETAILS ARE INTENDED TO BE A GUIDE FOR WATERPROOFING INSTALLATION ONLY

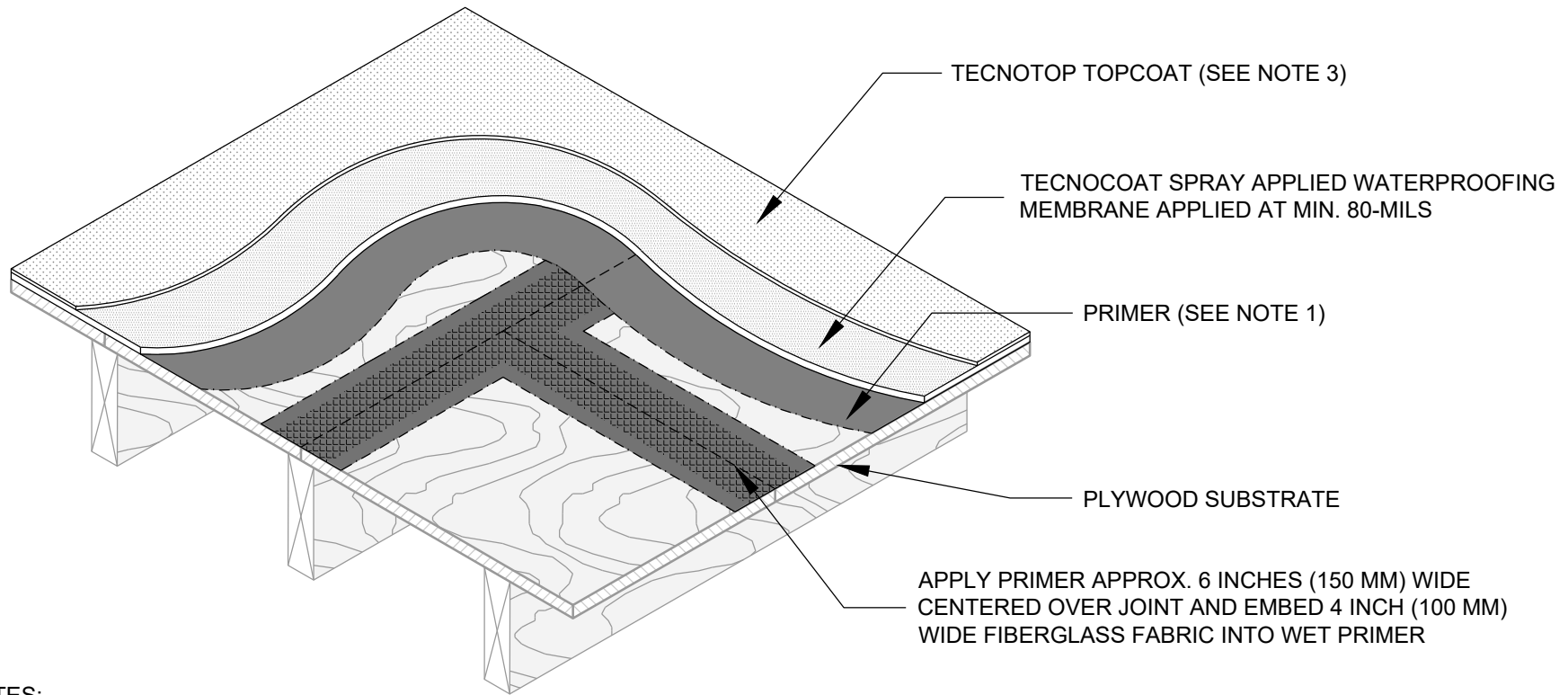
Supersedes: NEW

Date: 01/16/2025

Drawing Number:

TECS-PLYWOOD ASSEMBLY

DRAWING NOT TO SCALE



NOTES:

1. APPLICABLE PRIMERS FOR PLYWOOD SUBSTRATES INCLUDE, EP-1010, PU-1050 AND PUc-1050
2. DO NOT EXTEND THE TECNOCOAT SPRAY APPLIED WATERPROOFING ABOVE/BEYOND PRIMED SURFACES - EXTEND THE PRIMER APPROX. 2 IN (50 MM) BEYOND THE AREA TO RECEIVE THE SPRAY APPLIED WATERPROOFING
3. CHOOSE APPLICABLE TECNOTOP TOPCOAT PER PROJECT REQUIREMENTS, REFER TO INDIVIDUAL DATA SHEETS FOR APPLICATION INSTRUCTIONS AND APPROPRIATE MIL THICKNESS
4. PLYWOOD MUST MEET EXTERIOR GRADE APA EXPOSURE REQUIREMENTS
5. ENSURE THE ASSEMBLY HAS ADEQUATE VENTILATION IF APPLICABLE AND COMPLIES WITH ALL BUILDING CODE REQUIREMENTS
6. PLYWOOD MUST BE CLEAN, DRY WITH FLUSH PANEL JOINTS, SUPPORTED BY FRAMING/BLOCKING BETWEEN JOISTS
7. THE SYSTEM MUST BE INTEGRATED WITH PROPERLY INSTALLED FLASHINGS WHEN APPLICABLE TO FORM A WATERTIGHT AND WATER SHEDDING APPLICATION
8. REFER TO INDIVIDUAL PRODUCT DATA SHEETS FOR ADDITIONAL INSTALLATION INSTRUCTIONS

POLYGLASS



polyglass.us

1111 West Newport Center Drive
Deerfield Beach, FL 33442
Technical Service: (866) 794-9659
technical@polyglass.com

Description:

**PLYWOOD ASSEMBLY WITH TOPCOAT
TECNOCOAT SPRAY APPLIED SYSTEMS**

DETAILS ARE INTENDED TO BE A GUIDE FOR WATERPROOFING INSTALLATION ONLY

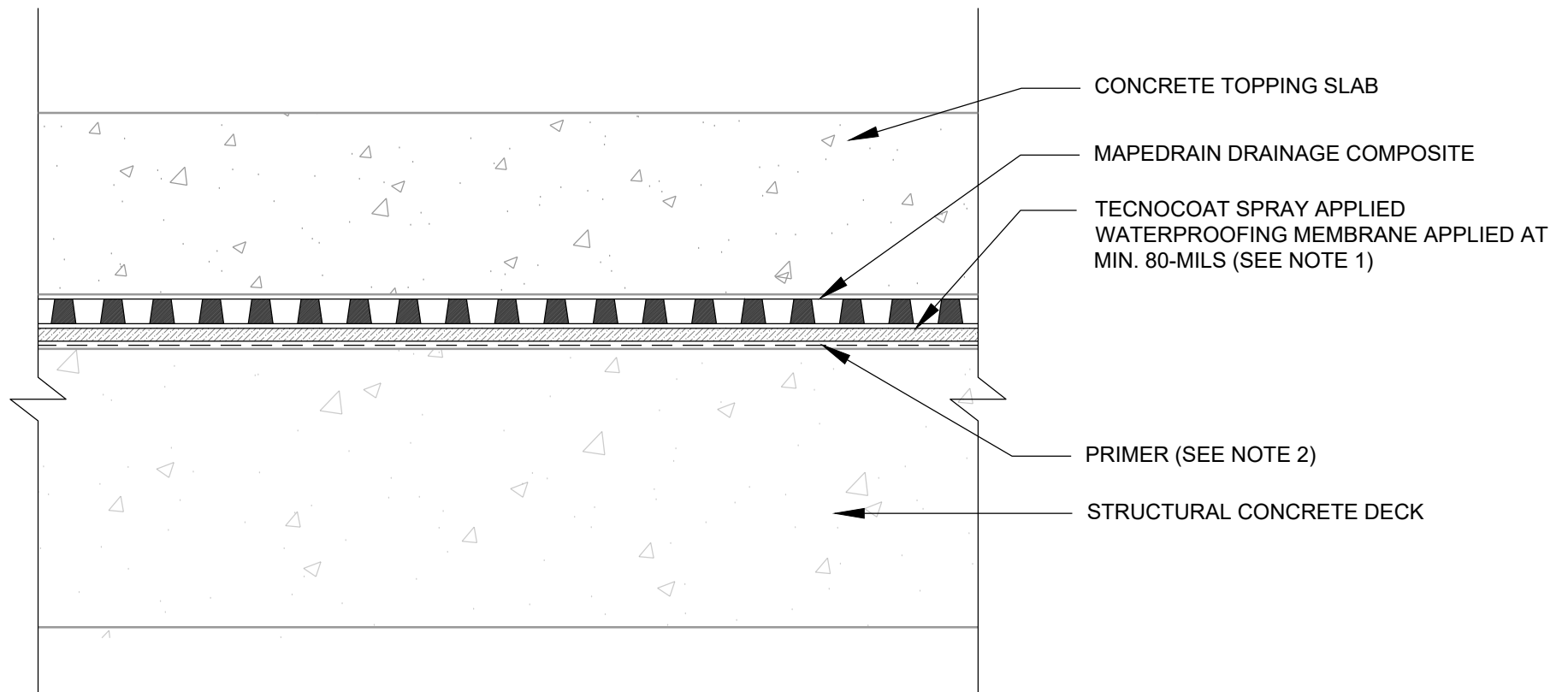
Supersedes: NEW

Date: 01/16/2025

Drawing Number:

TECS-PLYWOOD ASSEMBLY WITH
TOPCOAT

DRAWING NOT TO SCALE



NOTES:

1. THIS DETAIL IS APPLICABLE FOR THE FOLLOWING SPRAY APPLIED WATERPROOFING SYSTEMS: TECNOCOAT P-2049 AND H-2049
2. APPLICABLE PRIMERS FOR CONCRETE SUBSTRATES INCLUDE, EP-1010, EP-1020, PRIMER WET, PU-1050, AND PUc-1050
3. OVERBURDEN WILL BE DETERMINED BY PROJECT SPECIFIC REQUIREMENTS AND MAY DIFFER FROM WHAT IS SHOWN ABOVE
4. DO NOT EXTEND THE TECNOCOAT SPRAY APPLIED WATERPROOFING ABOVE/BEYOND PRIMED SURFACES
5. REFER TO INDIVIDUAL PRODUCT DATA SHEETS FOR ADDITIONAL INSTALLATION INSTRUCTIONS

POLYGLASS



polyglass.us

1111 West Newport Center Drive
Deerfield Beach, FL 33442
Technical Service: (866) 794-9659
technical@polyglass.com

Description:

SPLIT SLAB
TECNOCOAT SPRAY APPLIED SYSTEMS

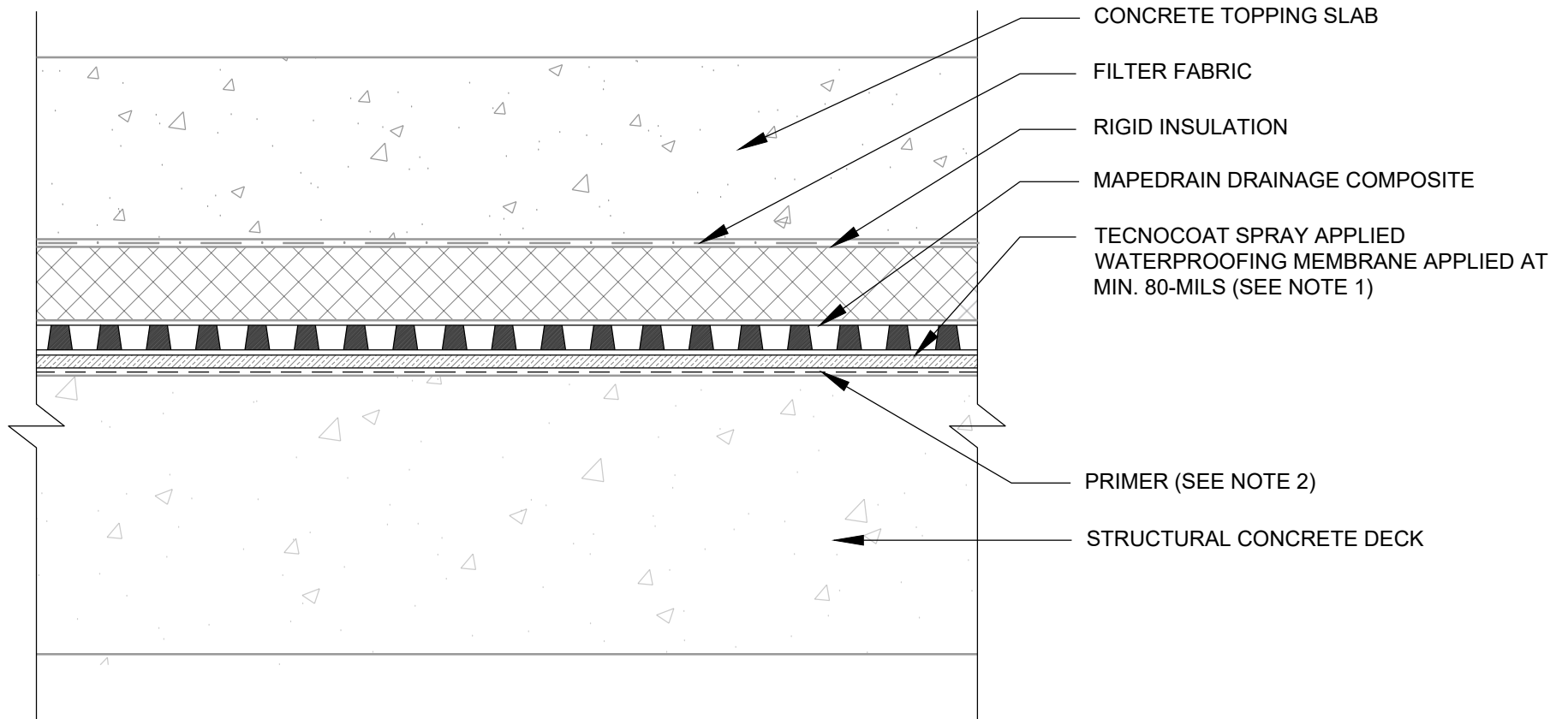
DETAILS ARE INTENDED TO BE A GUIDE FOR WATERPROOFING INSTALLATION ONLY

Supersedes: NEW

Date: 01/16/2025

Drawing Number:
TECS-SPLIT SLAB

DRAWING NOT TO SCALE



NOTES:

1. THIS DETAIL IS APPLICABLE FOR THE FOLLOWING SPRAY APPLIED WATERPROOFING SYSTEMS: TECNOCOAT P-2049 AND H-2049
2. APPLICABLE PRIMERS FOR CONCRETE SUBSTRATES INCLUDE, EP-1010, EP-1020, PRIMER WET, PU-1050, AND PUc-1050
3. OVERBURDEN WILL BE DETERMINED BY PROJECT SPECIFIC REQUIREMENTS AND MAY DIFFER FROM WHAT IS SHOWN ABOVE
4. DO NOT EXTEND THE TECNOCOAT SPRAY APPLIED WATERPROOFING ABOVE/BEYOND PRIMED SURFACES
5. REFER TO INDIVIDUAL PRODUCT DATA SHEETS FOR ADDITIONAL INSTALLATION INSTRUCTIONS

POLYGLASS



polyglass.us

1111 West Newport Center Drive
Deerfield Beach, FL 33442
Technical Service: (866) 794-9659
technical@polyglass.com

Description:

**INSULATED SPLIT SLAB
TECNOCOAT SPRAY APPLIED SYSTEMS**

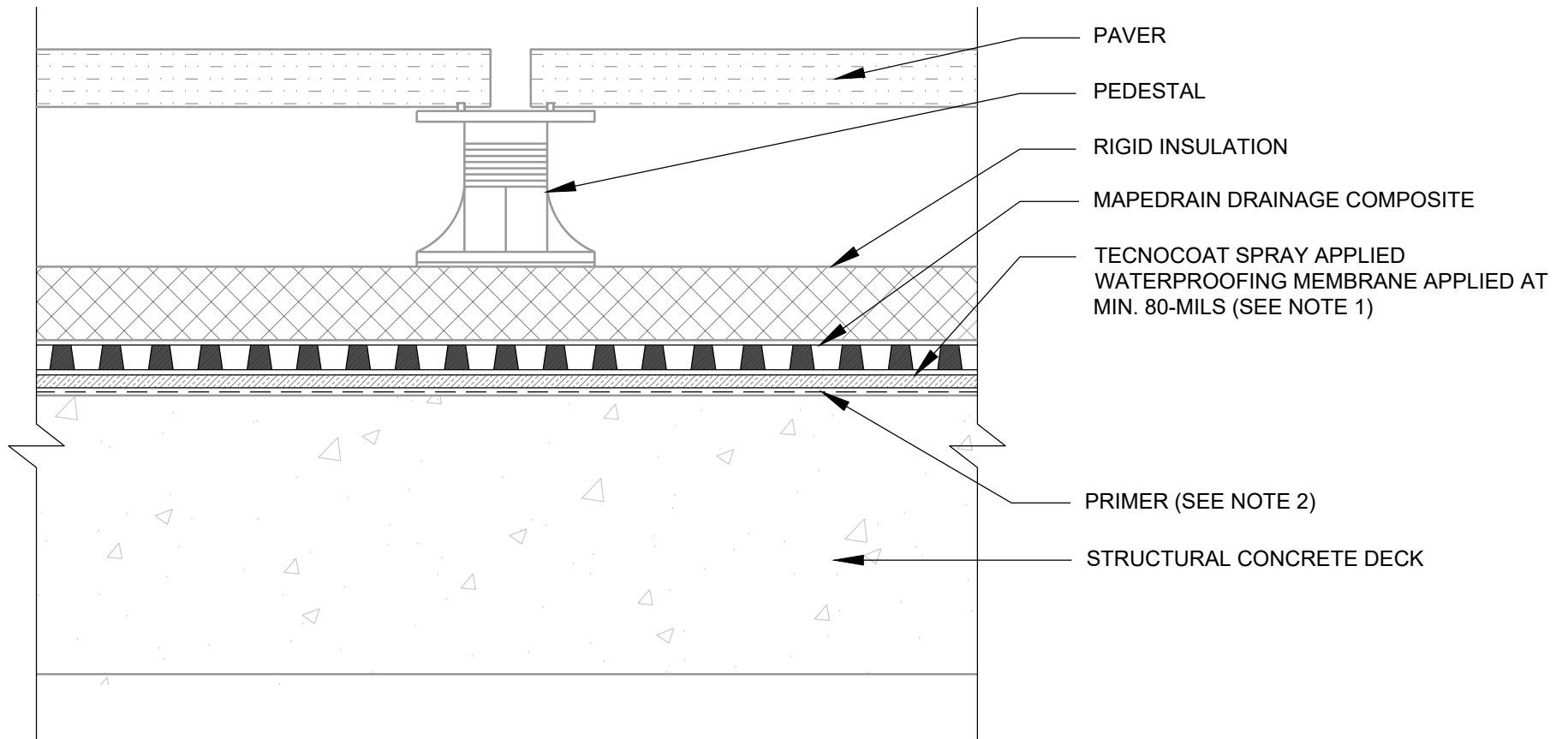
DETAILS ARE INTENDED TO BE A GUIDE FOR WATERPROOFING INSTALLATION ONLY

Supersedes: NEW

Date: 01/16/2025

Drawing Number:
TECS-INSULATED SPLIT SLAB

DRAWING NOT TO SCALE



NOTES:

1. THIS DETAIL IS APPLICABLE FOR THE FOLLOWING SPRAY APPLIED WATERPROOFING SYSTEMS: TECNOCOAT P-2049 AND H-2049
2. APPLICABLE PRIMERS FOR CONCRETE SUBSTRATES INCLUDE, EP-1010, EP-1020, PRIMER WET, PU-1050, AND PUc-1050
3. OVERBURDEN WILL BE DETERMINED BY PROJECT SPECIFIC REQUIREMENTS AND MAY DIFFER FROM WHAT IS SHOWN ABOVE
4. DO NOT EXTEND THE TECNOCOAT SPRAY APPLIED WATERPROOFING ABOVE/BEYOND PRIMED SURFACES
5. REFER TO INDIVIDUAL PRODUCT DATA SHEETS FOR ADDITIONAL INSTALLATION INSTRUCTIONS

POLYGLASS



polyglass.us

1111 West Newport Center Drive
Deerfield Beach, FL 33442
Technical Service: (866) 794-9659
technical@polyglass.com

Description:

PEDESTAL PAVER SYSTEM
TECNOCOAT SPRAY APPLIED SYSTEMS

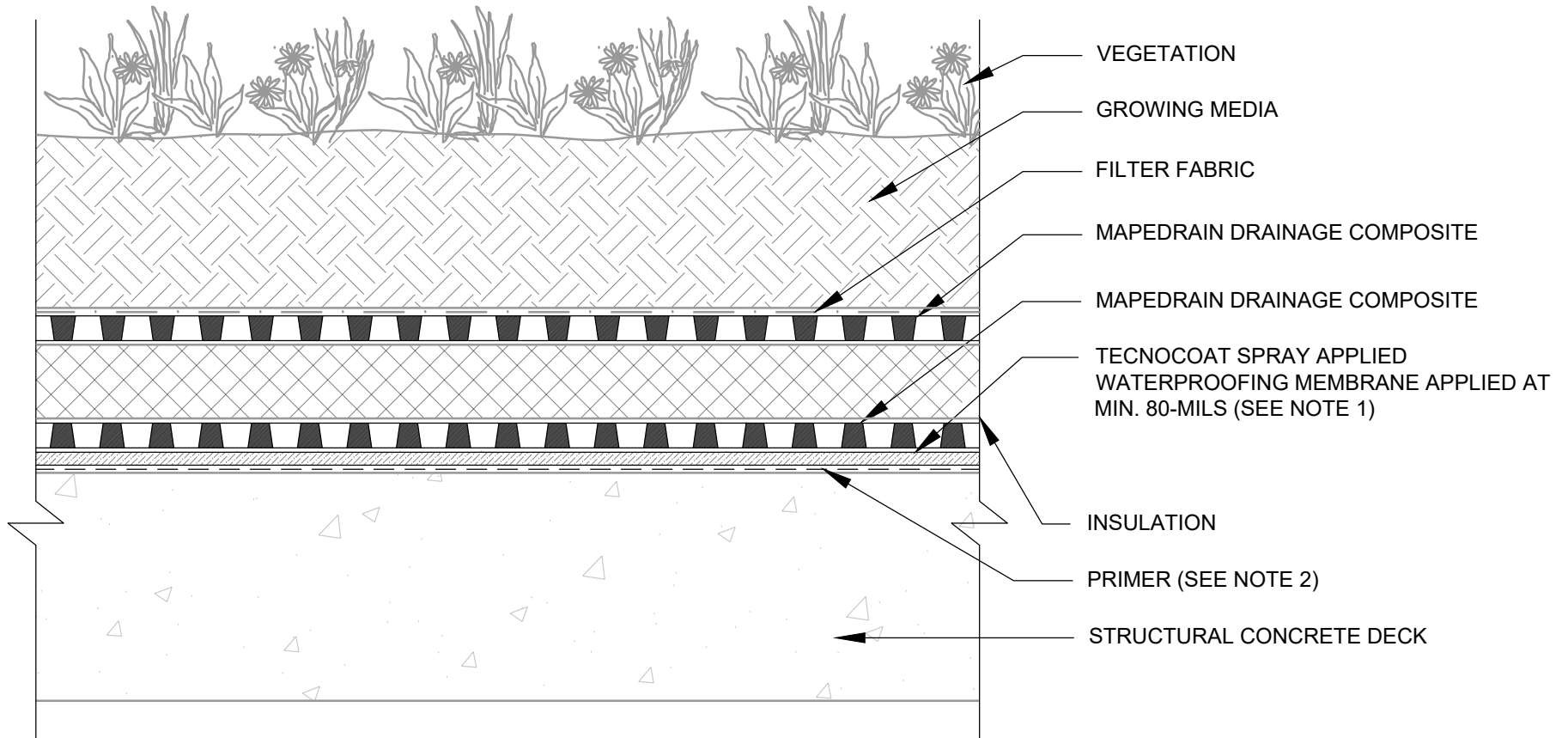
DETAILS ARE INTENDED TO BE A GUIDE FOR WATERPROOFING INSTALLATION ONLY

Supersedes: NEW

Date: 01/16/2025

Drawing Number:
TECS-PEDESTAL PAVER SYSTEM

DRAWING NOT TO SCALE



NOTES:

1. THIS DETAIL IS APPLICABLE FOR THE FOLLOWING SPRAY APPLIED WATERPROOFING SYSTEMS: TECNOCOAT P-2049 AND H-2049
2. APPLICABLE PRIMERS FOR CONCRETE SUBSTRATES INCLUDE, EP-1010, EP-1020, PRIMER WET, PU-1050, AND PU_c-1050
3. OVERBURDEN WILL BE DETERMINED BY PROJECT SPECIFIC REQUIREMENTS AND MAY DIFFER FROM WHAT IS SHOWN ABOVE
4. DO NOT EXTEND THE TECNOCOAT SPRAY APPLIED WATERPROOFING ABOVE/BEYOND PRIMED SURFACES
5. REFER TO INDIVIDUAL PRODUCT DATA SHEETS FOR ADDITIONAL INSTALLATION INSTRUCTIONS

POLYGLASS



polyglass.us

1111 West Newport Center Drive
Deerfield Beach, FL 33442
Technical Service: (866) 794-9659
technical@polyglass.com

Description:

GREEN / VEGETATIVE ROOF SYSTEM
TECNOCOAT SPRAY APPLIED SYSTEMS

DETAILS ARE INTENDED TO BE A GUIDE FOR WATERPROOFING INSTALLATION ONLY

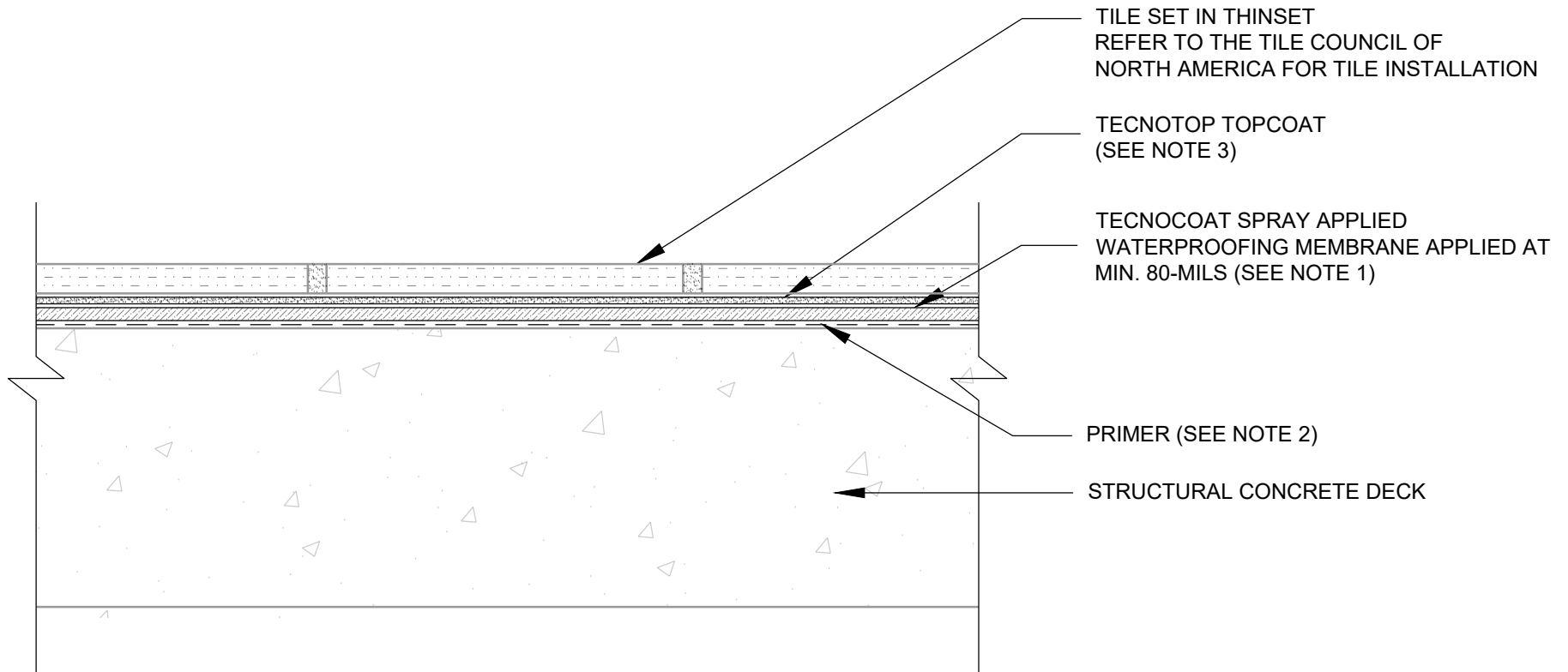
Supersedes: NEW

Date: 01/16/2025

Drawing Number:

TECS-GREEN / VEGETATIVE ROOF SYSTEM

DRAWING NOT TO SCALE



NOTES:

1. THIS DETAIL IS APPLICABLE FOR THE FOLLOWING SPRAY APPLIED WATERPROOFING SYSTEMS: TECNOCOAT P-2049 AND H-2049
2. APPLICABLE PRIMERS FOR CONCRETE SUBSTRATES INCLUDE, EP-1010, EP-1020, PRIMER WET, PU-1050, AND PUc-1050
3. BROADCAST KILN DRIED #20/30 SILICA SAND INTO APPROX. 10-15 MILS OF WET TECNOTOP 2C OR TECNOTOP S-3000 TO REJECTION, REMOVE EXCESS AFTER CURING
4. DO NOT EXTEND THE TECNOCOAT SPRAY APPLIED WATERPROOFING ABOVE/BEYOND PRIMED SURFACES
5. REFER TO INDIVIDUAL PRODUCT DATA SHEETS FOR ADDITIONAL INSTALLATION INSTRUCTIONS

POLYGLASS
MAPEI GROUP
polyglass.us
1111 West Newport Center Drive
Deerfield Beach, FL 33442
Technical Service: (866) 794-9659
technical@polyglass.com

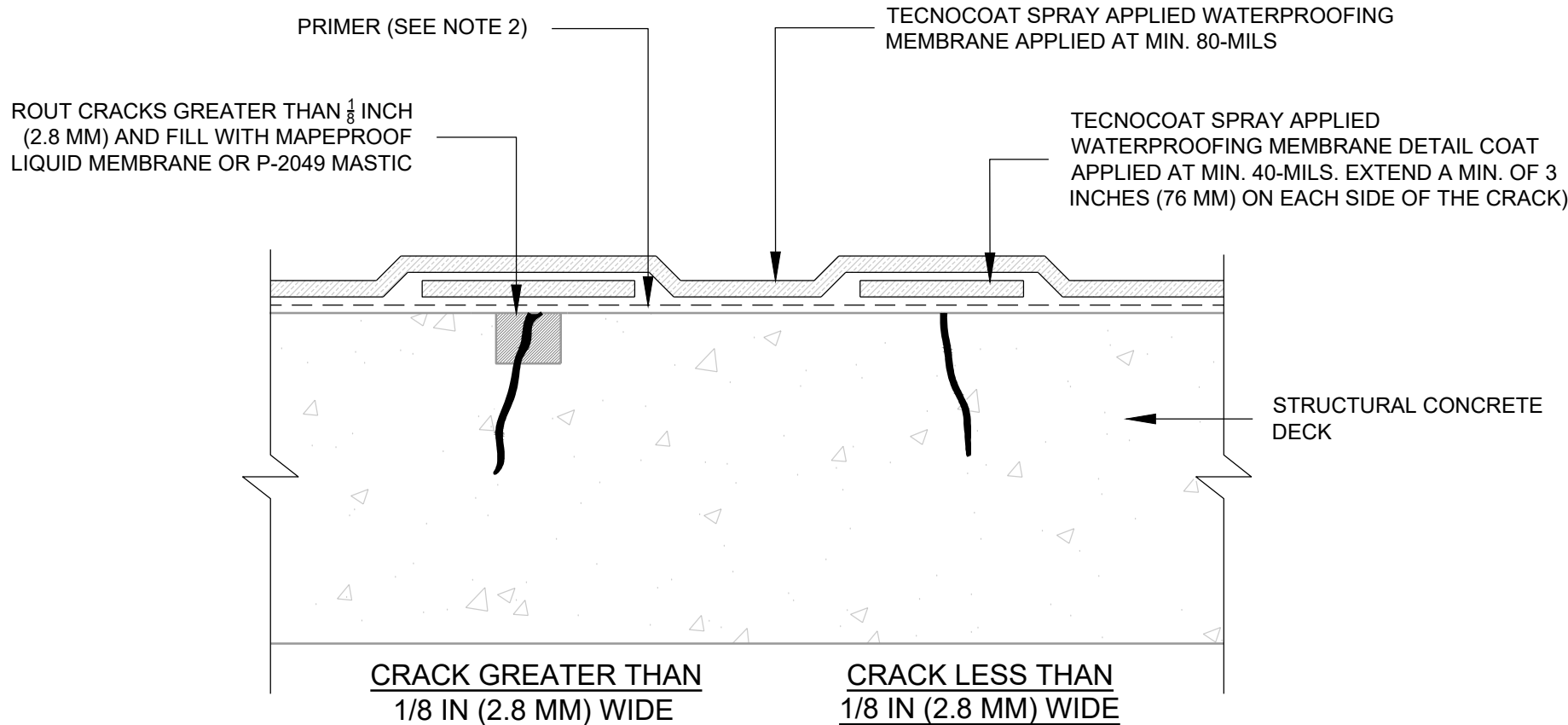
Description:

**THINSET AND TILE
TECNOCOAT SPRAY APPLIED SYSTEMS**

DETAILS ARE INTENDED TO BE A GUIDE FOR WATERPROOFING INSTALLATION ONLY

Supersedes:	NEW
Date:	01/16/2025
Drawing Number:	TECS-THINSET AND TILE

DRAWING NOT TO SCALE



NOTES:

1. THIS DETAIL IS APPLICABLE FOR THE FOLLOWING SPRAY APPLIED WATERPROOFING SYSTEMS: TECNOCOAT P-2049 AND H-2049
2. APPLICABLE PRIMERS FOR CONCRETE SUBSTRATES INCLUDE, EP-1010, EP-1020, PRIMER WET, PU-1050, AND PUc-1050
3. FOR CRACKS LESS THAN 1/8 INCH (2.8 MM) WIDE, REMOVE EXCESS PRIMER FROM CRACK AND FILL CRACK WITH TECNOCOAT P-2049 OF H-2049
4. DO NOT EXTEND THE TECNOCOAT SPRAY APPLIED WATERPROOFING ABOVE/BEYOND PRIMED SURFACES - EXTEND THE PRIMER APPROX. 2 IN (50 MM) BEYOND THE AREA TO RECEIVE THE SPRAY APPLIED WATERPROOFING
5. OVERBURDEN NOT SHOWN FOR CLARITY
6. REFER TO INDIVIDUAL PRODUCT DATA SHEETS FOR ADDITIONAL INSTALLATION INSTRUCTIONS

POLYGLASS
 MAPEI GROUP
 polyglass.us
 1111 West Newport Center Drive
 Deerfield Beach, FL 33442
 Technical Service: (866) 794-9659
 technical@polyglass.com

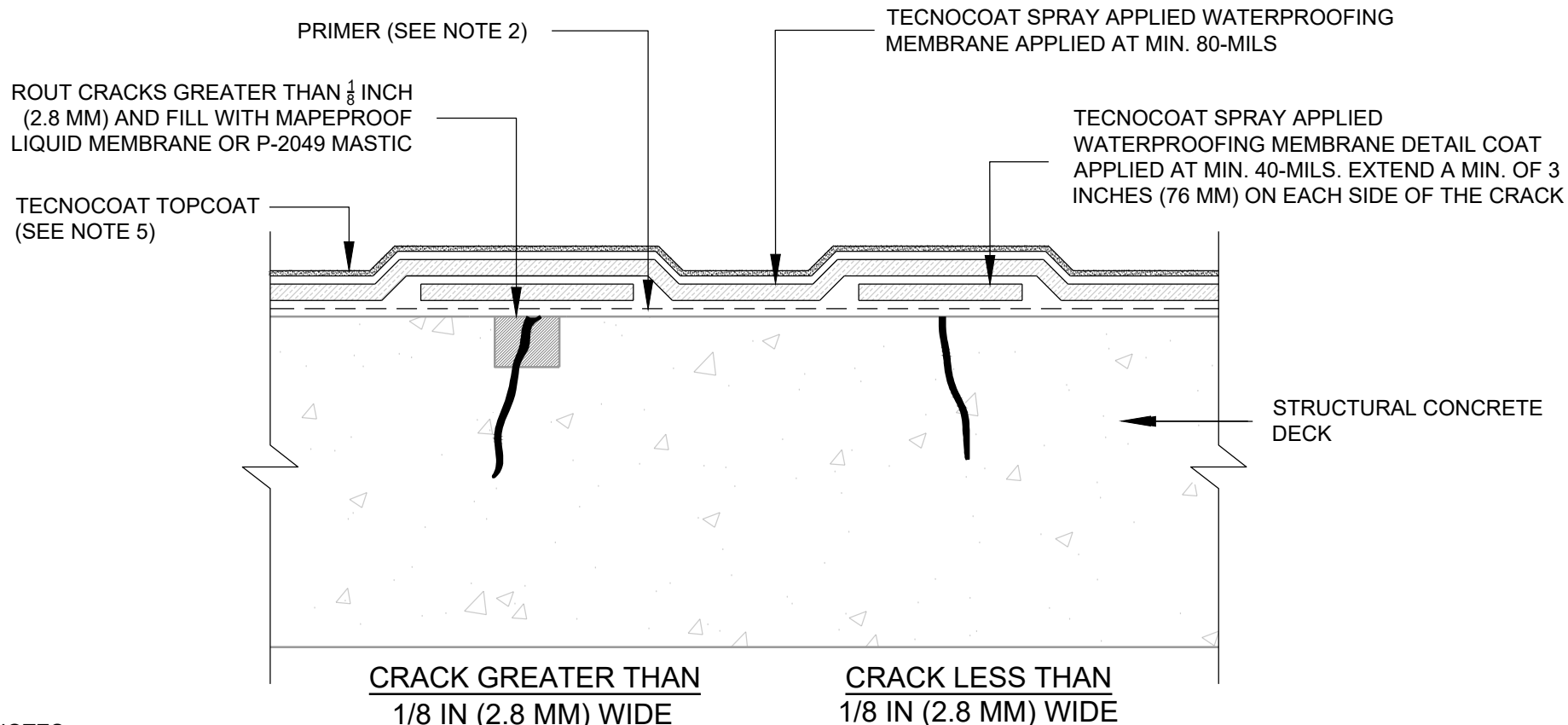
Description:

**CRACK TREATMENT
 TECNOCOAT SPRAY APPLIED SYSTEMS**

DETAILS ARE INTENDED TO BE A GUIDE FOR WATERPROOFING INSTALLATION ONLY

Supersedes:	NEW
Date:	01/16/2025
Drawing Number:	TECS-CRACK TREATMENT

DRAWING NOT TO SCALE



NOTES:

1. THIS DETAIL IS APPLICABLE FOR THE FOLLOWING SPRAY APPLIED WATERPROOFING SYSTEMS: TECNOCOAT P-2049 AND H-2049
2. APPLICABLE PRIMERS FOR CONCRETE SUBSTRATES INCLUDE, EP-1010, EP-1020, PRIMER WET, PU-1050, AND PUc-1050
3. FOR CRACKS LESS THAN 1/8 INCH (2.8 MM) WIDE, REMOVE EXCESS PRIMER FROM CRACK AND FILL CRACK WITH TECNOCOAT P-2049 OR H-2049
4. DO NOT EXTEND THE TECNOCOAT SPRAY APPLIED WATERPROOFING ABOVE/BEYOND PRIMED SURFACES - EXTEND THE PRIMER APPROX. 2 IN (50 MM) BEYOND THE AREA TO RECEIVE THE SPRAY APPLIED WATERPROOFING
5. CHOOSE APPLICABLE TECNOTOP TOPCOAT PER PROJECT REQUIREMENTS, REFER TO INDIVIDUAL DATA SHEETS FOR APPLICATION INSTRUCTIONS AND APPROPRIATE MIL THICKNESS
6. REFER TO INDIVIDUAL PRODUCT DATA SHEETS FOR ADDITIONAL INSTALLATION INSTRUCTIONS

POLYGLASS
 MAPEI GROUP
 polyglass.us
 1111 West Newport Center Drive
 Deerfield Beach, FL 33442
 Technical Service: (866) 794-9659
 technical@polyglass.com

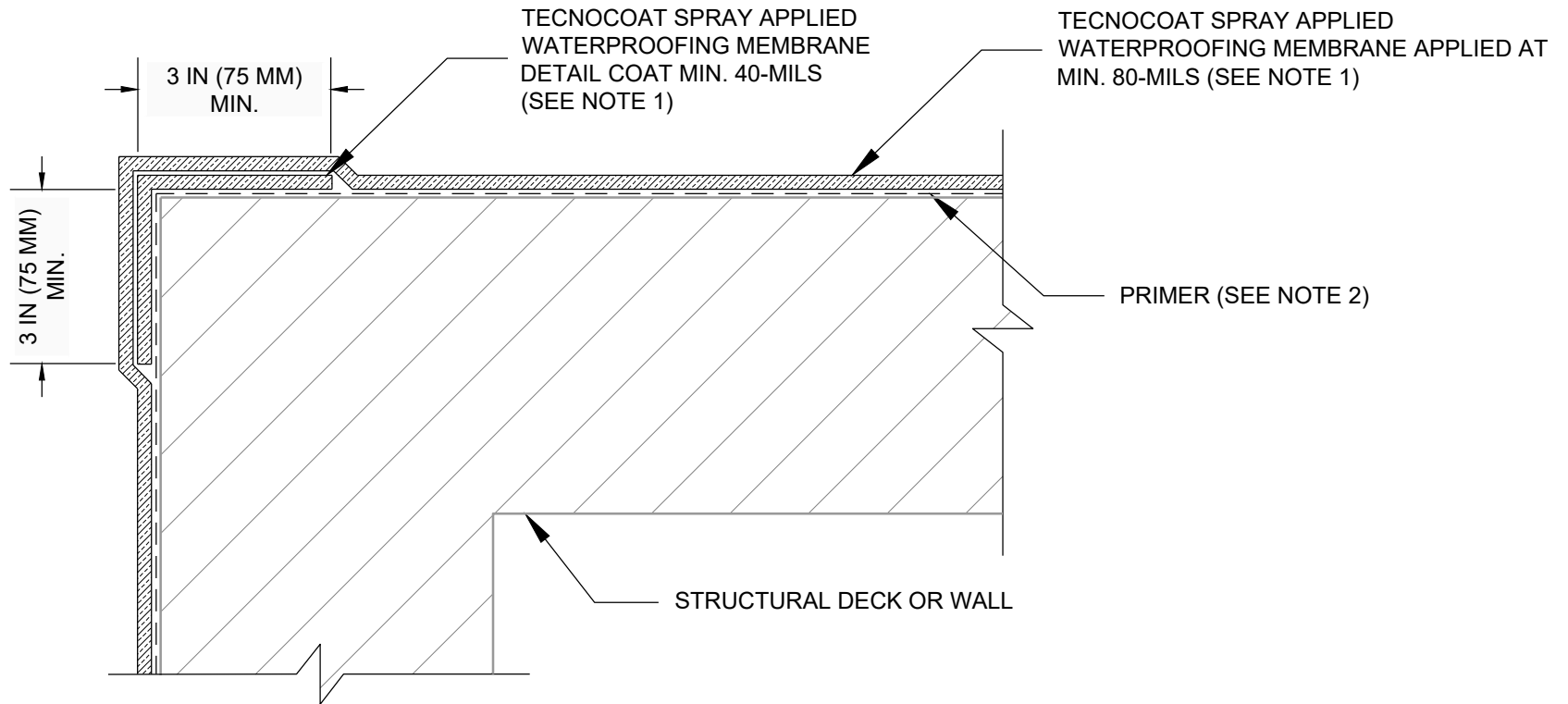
Description:

**CRACK TREATMENT
 WITH TOPCOAT
 TECNOCOAT SPRAY APPLIED SYSTEMS**

DETAILS ARE INTENDED TO BE A GUIDE FOR WATERPROOFING INSTALLATION ONLY

Supersedes:	NEW
Date:	01/16/2025
Drawing Number:	TECS-CRACK TREATMENT WITH TOPCOAT

DRAWING NOT TO SCALE



NOTES:

1. THIS DETAIL IS APPLICABLE FOR THE FOLLOWING SPRAY APPLIED WATERPROOFING SYSTEMS: TECNOCOAT P-2049 AND H-2049
2. APPLICABLE PRIMERS FOR CONCRETE SUBSTRATES INCLUDE, EP-1010, EP-1020, PRIMER WET, PU-1050, AND PUc-1050
3. DO NOT EXTEND THE TECNOCOAT SPRAY APPLIED WATERPROOFING ABOVE/BEYOND PRIMED SURFACES - EXTEND THE PRIMER APPROX. 2 IN (50 MM) BEYOND THE AREA TO RECEIVE THE SPRAY APPLIED WATERPROOFING
4. OVERBURDEN NOT SHOWN FOR CLARITY
5. REFER TO INDIVIDUAL PRODUCT DATA SHEETS FOR ADDITIONAL INSTALLATION INSTRUCTIONS

POLYGLASS



polyglass.us

1111 West Newport Center Drive
Deerfield Beach, FL 33442
Technical Service: (866) 794-9659
technical@polyglass.com

Description:

**OUTSIDE CORNER
TECNOCOAT SPRAY APPLIED SYSTEMS**

DETAILS ARE INTENDED TO BE A GUIDE FOR WATERPROOFING INSTALLATION ONLY

Supersedes:

NEW

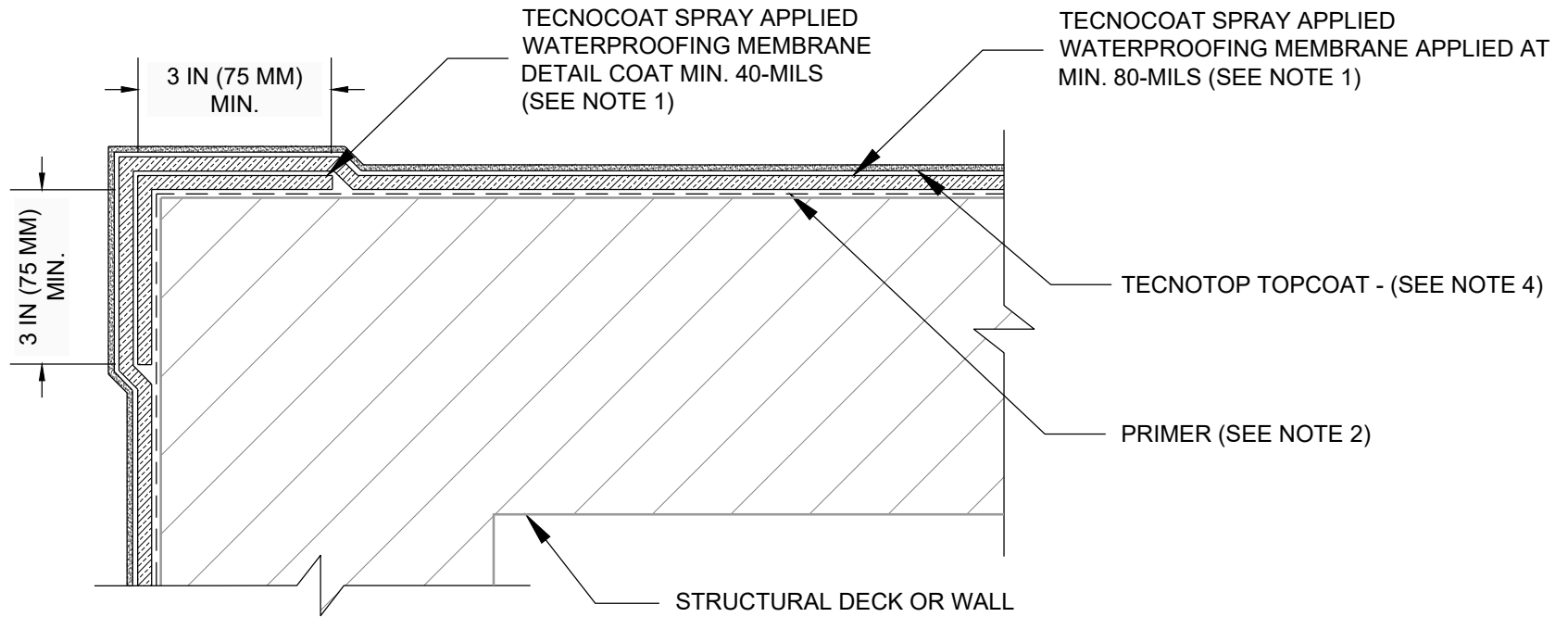
Date:

01/16/2025

Drawing Number:

TECS-OUTSIDE CORNER

DRAWING NOT TO SCALE



NOTES:

1. THIS DETAIL IS APPLICABLE FOR THE FOLLOWING SPRAY APPLIED WATERPROOFING SYSTEMS: TECNOCOAT P-2049 AND H-2049
2. APPLICABLE PRIMERS FOR CONCRETE SUBSTRATES INCLUDE, EP-1010, EP-1020, PRIMER WET, PU-1050, AND PUc-1050
3. DO NOT EXTEND THE TECNOCOAT SPRAY APPLIED WATERPROOFING ABOVE/BEYOND PRIMED SURFACES - EXTEND THE PRIMER APPROX. 2 IN (50 MM) BEYOND THE AREA TO RECEIVE THE SPRAY APPLIED WATERPROOFING
4. CHOOSE APPLICABLE TECNOTOP TOPCOAT PER PROJECT REQUIREMENTS, REFER TO INDIVIDUAL DATA SHEETS FOR APPLICATION INSTRUCTIONS AND APPROPRIATE MIL THICKNESS
5. REFER TO INDIVIDUAL PRODUCT DATA SHEETS FOR ADDITIONAL INSTALLATION INSTRUCTIONS

POLYGLASS



polyglass.us

1111 West Newport Center Drive
Deerfield Beach, FL 33442
Technical Service: (866) 794-9659
technical@polyglass.com

Description:

OUTSIDE CORNER WITH TOPCOAT
TECNOCOAT SPRAY APPLIED SYSTEMS

DETAILS ARE INTENDED TO BE A GUIDE FOR WATERPROOFING INSTALLATION ONLY

Supersedes:

NEW

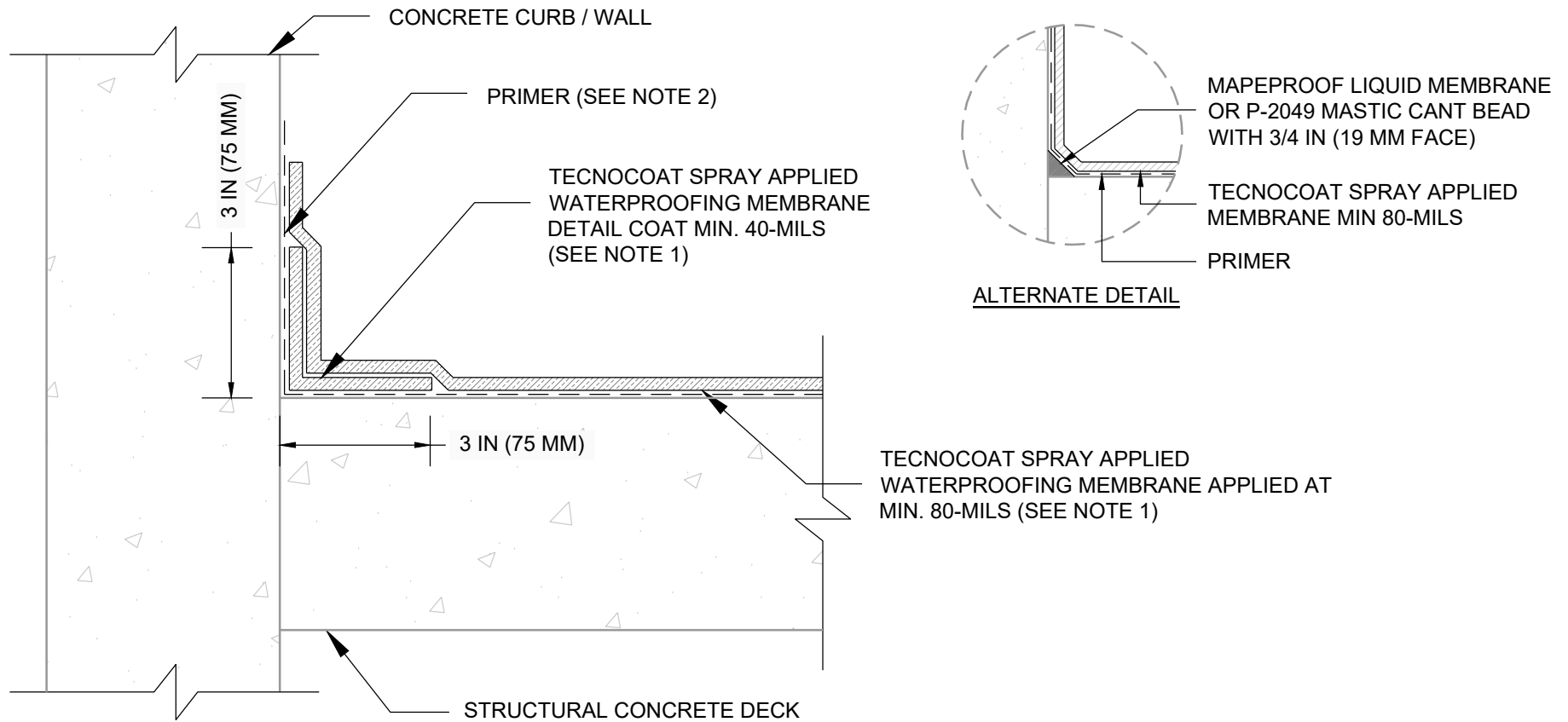
Date:

01/16/2025

Drawing Number:

TECS-OUTSIDE CORNER WITH
TOPCOAT

DRAWING NOT TO SCALE



NOTES:

1. THIS DETAIL IS APPLICABLE FOR THE FOLLOWING SPRAY APPLIED WATERPROOFING SYSTEMS: TECNOCOAT P-2049 AND H-2049
2. APPLICABLE PRIMERS FOR CONCRETE SUBSTRATES INCLUDE, EP-1010, EP-1020, PRIMER WET, PU-1050, AND PUc-1050
3. HEIGHT OF WATERPROOFING WILL BE DETERMINED BY THE HEIGHT OF THE OVERBURDEN PER PROJECT SPECIFIC REQUIREMENTS
4. DO NOT EXTEND THE TECNOCOAT SPRAY APPLIED WATERPROOFING ABOVE/BEYOND PRIMED SURFACES - EXTEND THE PRIMER APPROX. 2 IN (50 MM) BEYOND THE AREA TO RECEIVE THE SPRAY APPLIED WATERPROOFING
5. REFER TO INDIVIDUAL PRODUCT DATA SHEETS FOR ADDITIONAL INSTALLATION INSTRUCTIONS

POLYGLASS



polyglass.us

1111 West Newport Center Drive
Deerfield Beach, FL 33442
Technical Service: (866) 794-9659
technical@polyglass.com

Description:

FLASHING AT DECK TO CURB/WALL
TECNOCOAT SPRAY APPLIED SYSTEMS

DETAILS ARE INTENDED TO BE A GUIDE FOR WATERPROOFING INSTALLATION ONLY

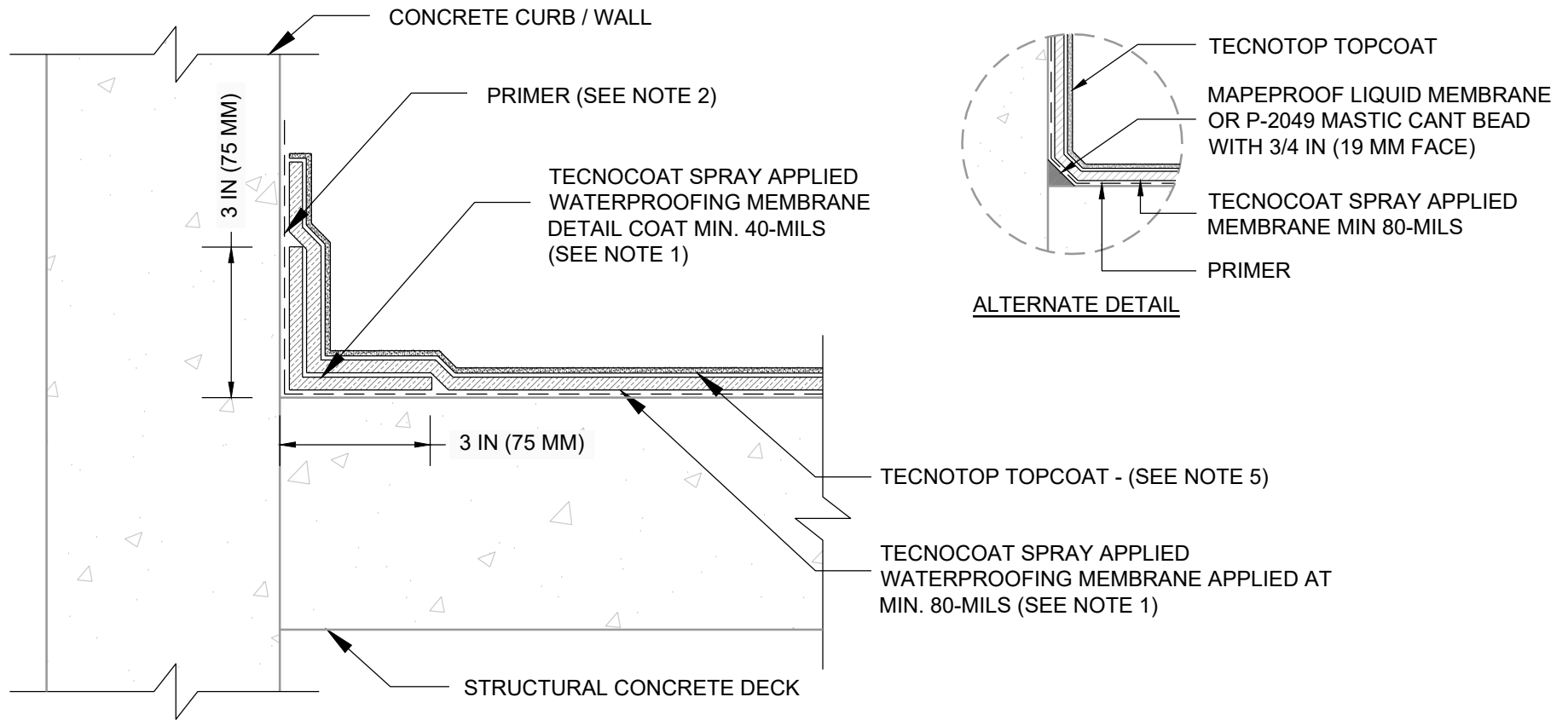
Supersedes: NEW

Date: 01/16/2025

Drawing Number:

TECS-FLASHING AT DECK TO
WALL/CURB

DRAWING NOT TO SCALE



NOTES:

1. THIS DETAIL IS APPLICABLE FOR THE FOLLOWING SPRAY APPLIED WATERPROOFING SYSTEMS: TECNOCOAT P-2049 AND H-2049
2. APPLICABLE PRIMERS FOR CONCRETE SUBSTRATES INCLUDE, EP-1010, EP-1020, PRIMER WET, PU-1050, AND PUc-1050
3. HEIGHT OF WATERPROOFING WILL BE DETERMINED PER PROJECT SPECIFIC REQUIREMENTS
4. DO NOT EXTEND THE TECNOCOAT SPRAY APPLIED WATERPROOFING ABOVE/BEYOND PRIMED SURFACES - EXTEND THE PRIMER APPROX. 2 IN (50 MM) BEYOND THE AREA TO RECEIVE THE SPRAY APPLIED WATERPROOFING
5. CHOOSE APPLICABLE TECNOTOP TOPCOAT PER PROJECT REQUIREMENTS, REFER TO INDIVIDUAL DATA SHEETS FOR APPLICATION INSTRUCTIONS AND APPROPRIATE MIL THICKNESS
6. REFER TO INDIVIDUAL PRODUCT DATA SHEETS FOR ADDITIONAL INSTALLATION INSTRUCTIONS

POLYGLASS



polyglass.us

1111 West Newport Center Drive
Deerfield Beach, FL 33442
Technical Service: (866) 794-9659
technical@polyglass.com

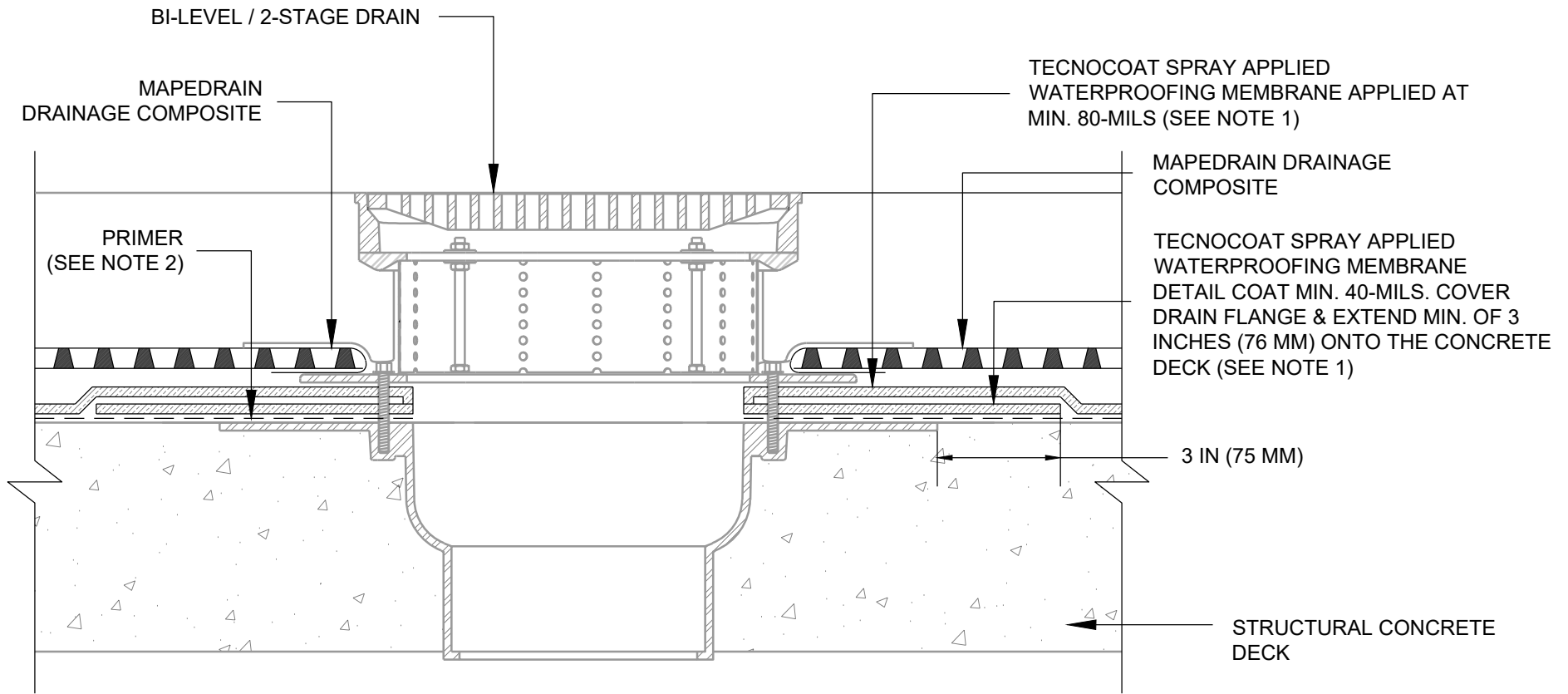
Description:

**FLASHING AT DECK TO CURB/WALL
WITH TOPCOAT
TECNOCOAT SPRAY APPLIED SYSTEMS**

DETAILS ARE INTENDED TO BE A GUIDE FOR WATERPROOFING INSTALLATION ONLY

Supersedes:	NEW
Date:	01/16/2025
Drawing Number:	TECS-FLASHING AT DECK TO CURB/WALL WITH TOPCOAT

DRAWING NOT TO SCALE



NOTES:

1. THIS DETAIL IS APPLICABLE FOR THE FOLLOWING SPRAY APPLIED WATERPROOFING SYSTEMS: TECNOCOAT P-2049 AND H-2049
2. APPLICABLE PRIMERS FOR CONCRETE SUBSTRATES INCLUDE, EP-1010, EP-1020, PRIMER WET, PU-1050, AND PUc-1050
3. DO NOT EXTEND THE TECNOCOAT SPRAY APPLIED WATERPROOFING ABOVE/BEYOND PRIMED SURFACES - EXTEND THE PRIMER APPROX. 2 IN (50 MM) BEYOND THE AREA TO RECEIVE THE SPRAY APPLIED WATERPROOFING
4. OVERBURDEN WILL BE DETERMINED BY PROJECT SPECIFIC REQUIREMENTS AND MAY DIFFER FROM WHAT IS SHOWN ABOVE
3. REFER TO INDIVIDUAL PRODUCT DATA SHEETS FOR ADDITIONAL INSTALLATION INSTRUCTIONS

POLYGLASS



polyglass.us

1111 West Newport Center Drive
Deerfield Beach, FL 33442
Technical Service: (866) 794-9659
technical@polyglass.com

Description:

BI-LEVEL DRAIN
TECNOCOAT SPRAY APPLIED SYSTEMS

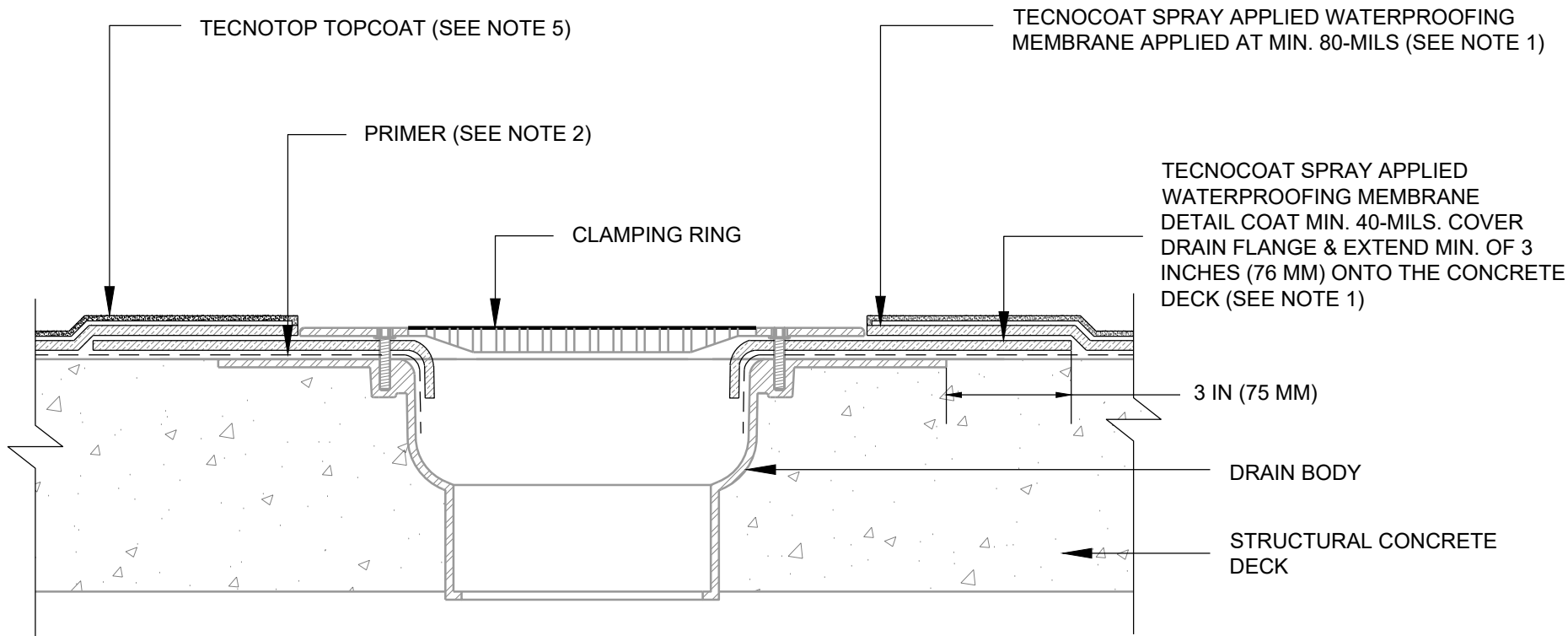
DETAILS ARE INTENDED TO BE A GUIDE FOR WATERPROOFING INSTALLATION ONLY

Supersedes: NEW

Date: 01/16/2025

Drawing Number:
TECS-BI-LEVEL DRAIN

DRAWING NOT TO SCALE



NOTES:

1. THIS DETAIL IS APPLICABLE FOR THE FOLLOWING SPRAY APPLIED WATERPROOFING SYSTEMS: TECNOCAT P-2049 AND H-2049
2. APPLICABLE PRIMERS FOR CONCRETE SUBSTRATES INCLUDE, EP-1010, EP-1020, PRIMER WET, PU-1050, AND PUc-1050
3. HEIGHT OF WATERPROOFING WILL BE DETERMINED PER PROJECT SPECIFIC REQUIREMENTS
4. DO NOT EXTEND THE TECNOCAT SPRAY APPLIED WATERPROOFING ABOVE/BEYOND PRIMED SURFACES - EXTEND THE PRIMER APPROX. 2 IN (50 MM) BEYOND THE AREA TO RECEIVE THE SPRAY APPLIED WATERPROOFING
5. CHOOSE APPLICABLE TECNOTOP TOPCOAT PER PROJECT REQUIREMENTS, REFER TO INDIVIDUAL DATA SHEETS FOR APPLICATION INSTRUCTIONS AND APPROPRIATE MIL THICKNESS
6. REFER TO INDIVIDUAL PRODUCT DATA SHEETS FOR ADDITIONAL INSTALLATION INSTRUCTIONS

POLYGLASS



polyglass.us

1111 West Newport Center Drive
Deerfield Beach, FL 33442
Technical Service: (866) 794-9659
technical@polyglass.com

Description:

SURFACE DRAIN WITH TOPCOAT
TECNOCAT SPRAY APPLIED SYSTEMS

DETAILS ARE INTENDED TO BE A GUIDE FOR WATERPROOFING INSTALLATION ONLY

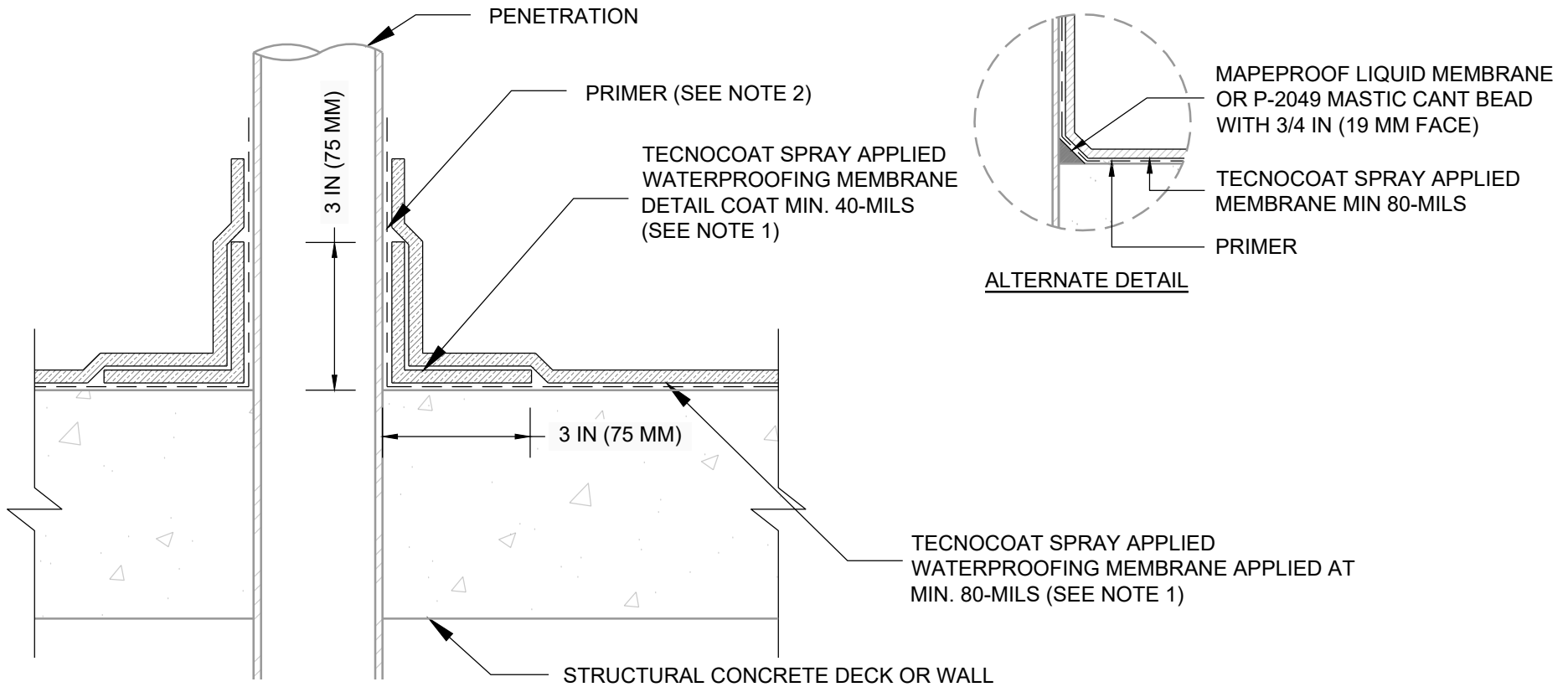
Supersedes: NEW

Date: 01/16/2025

Drawing Number:

TECS-SURFACE DRAIN WITH
TOPCOAT

DRAWING NOT TO SCALE



NOTES:

1. THIS DETAIL IS APPLICABLE FOR THE FOLLOWING SPRAY APPLIED WATERPROOFING SYSTEMS: TECNOCOAT P-2049 AND H-2049
2. APPLICABLE PRIMERS FOR CONCRETE SUBSTRATES INCLUDE, EP-1010, EP-1020, PRIMER WET, PU-1050, AND PUc-1050
3. HEIGHT OF WATERPROOFING WILL BE DETERMINED BY THE HEIGHT OF THE OVERBURDEN PER PROJECT SPECIFIC REQUIREMENTS
4. DO NOT EXTEND THE TECNOCOAT SPRAY APPLIED WATERPROOFING ABOVE/BEYOND PRIMED SURFACES - EXTEND THE PRIMER APPROX. 2 IN (50 MM) BEYOND THE AREA TO RECEIVE THE SPRAY APPLIED WATERPROOFING
5. REFER TO INDIVIDUAL PRODUCT DATA SHEETS FOR ADDITIONAL INSTALLATION INSTRUCTIONS

POLYGLASS



polyglass.us

1111 West Newport Center Drive
Deerfield Beach, FL 33442
Technical Service: (866) 794-9659
technical@polyglass.com

Description:

**PENETRATION
DECK OR WALL
TECNOCOAT SPRAY APPLIED SYSTEMS**

DETAILS ARE INTENDED TO BE A GUIDE FOR WATERPROOFING INSTALLATION ONLY

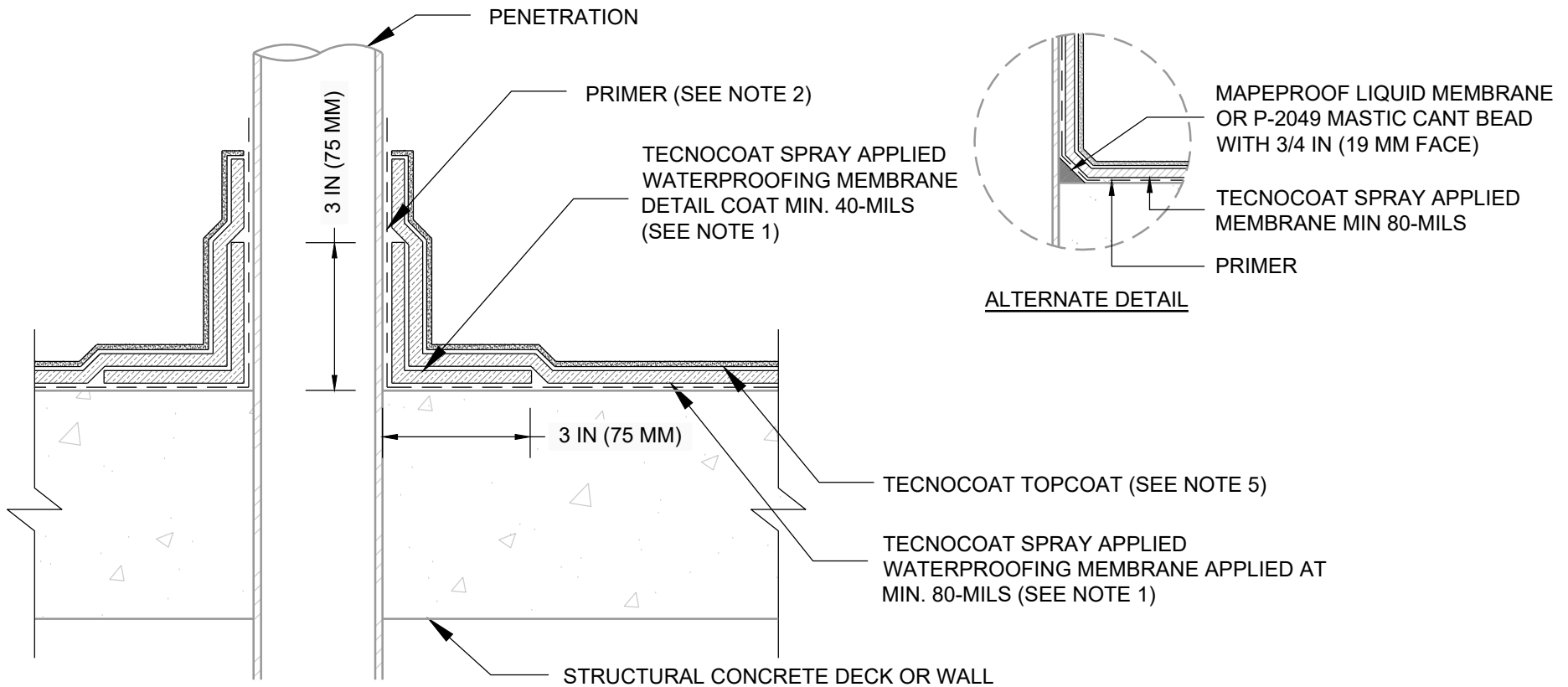
Supersedes: NEW

Date: 01/16/2025

Drawing Number:

TECS-PENETRATION DECK OR WALL

DRAWING NOT TO SCALE



NOTES:

1. THIS DETAIL IS APPLICABLE FOR THE FOLLOWING SPRAY APPLIED WATERPROOFING SYSTEMS: TECNOCOAT P-2049 AND H-2049
2. APPLICABLE PRIMERS FOR CONCRETE SUBSTRATES INCLUDE, EP-1010, EP-1020, PRIMER WET, PU-1050, AND PUc-1050
3. HEIGHT OF WATERPROOFING WILL BE DETERMINED PER PROJECT SPECIFIC REQUIREMENTS
4. DO NOT EXTEND THE TECNOCOAT SPRAY APPLIED WATERPROOFING ABOVE/BEYOND PRIMED SURFACES - EXTEND THE PRIMER APPROX. 2 IN (50 MM) BEYOND THE AREA TO RECEIVE THE SPRAY APPLIED WATERPROOFING
5. CHOOSE APPLICABLE TECNOTOP TOPCOAT PER PROJECT REQUIREMENTS, REFER TO INDIVIDUAL DATA SHEETS FOR APPLICATION INSTRUCTIONS AND APPROPRIATE MIL THICKNESS
6. REFER TO INDIVIDUAL PRODUCT DATA SHEETS FOR ADDITIONAL INSTALLATION INSTRUCTIONS

POLYGLASS



polyglass.us

1111 West Newport Center Drive
Deerfield Beach, FL 33442
Technical Service: (866) 794-9659
technical@polyglass.com

Description:

**PENETRATION WITH TOPCOAT
DECK OR WALL
TECNOCOAT SPRAY APPLIED SYSTEMS**

DETAILS ARE INTENDED TO BE A GUIDE FOR WATERPROOFING INSTALLATION ONLY

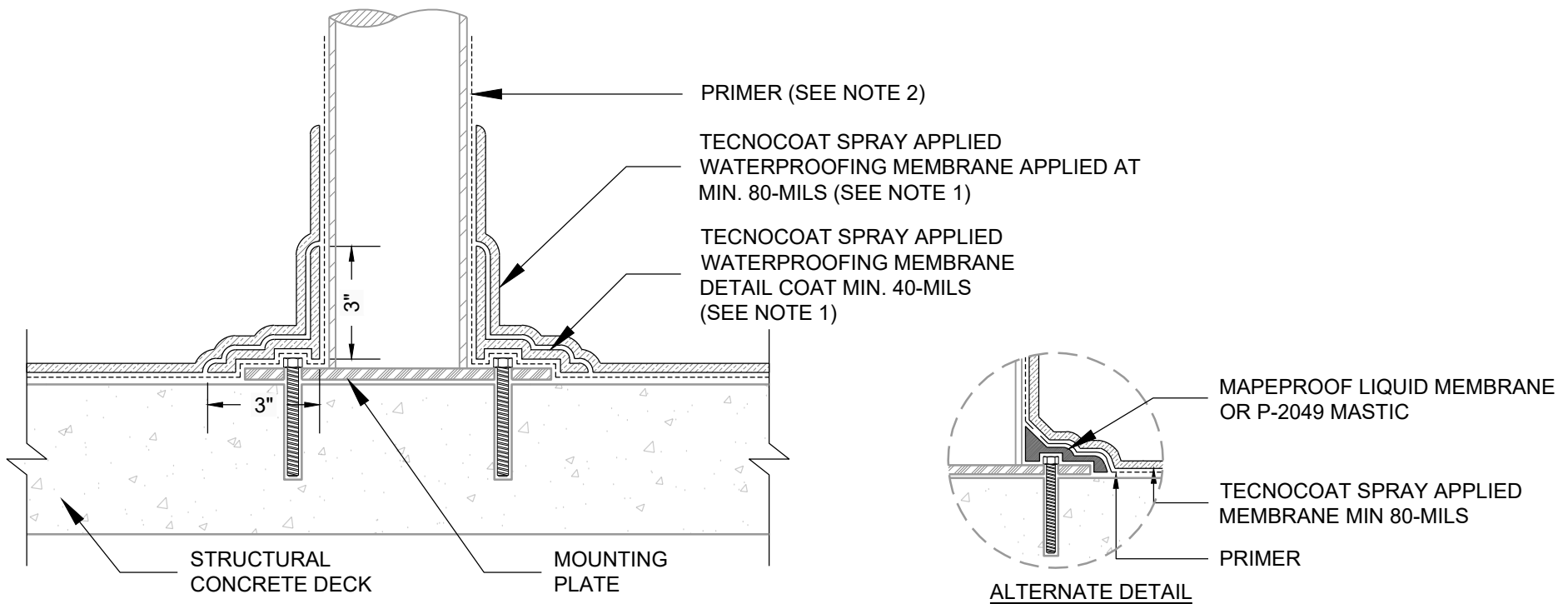
Supersedes: NEW

Date: 01/16/2025

Drawing Number:

TECS-PENETRATION WITH TOPCOAT
DECK OR WALL

DRAWING NOT TO SCALE



NOTES:

1. THIS DETAIL IS APPLICABLE FOR THE FOLLOWING SPRAY APPLIED WATERPROOFING SYSTEMS: TECNOCOAT P-2049 AND H-2049
2. APPLICABLE PRIMERS FOR CONCRETE SUBSTRATES INCLUDE, EP-1010, EP-1020, PRIMER WET, PU-1050, AND PUC-1050
3. HEIGHT OF WATERPROOFING WILL BE DETERMINED PER PROJECT SPECIFIC REQUIREMENTS
4. DO NOT EXTEND THE TECNOCOAT SPRAY APPLIED WATERPROOFING ABOVE/BEYOND PRIMED SURFACES - EXTEND THE PRIMER APPROX. 2 IN (50 MM) BEYOND THE AREA TO RECEIVE THE SPRAY APPLIED WATERPROOFING
5. OVERBURDEN NOT SHOWN FOR CLARITY
6. REFER TO INDIVIDUAL PRODUCT DATA SHEETS FOR ADDITIONAL INSTALLATION INSTRUCTIONS

POLYGLASS



polyglass.us

1111 West Newport Center Drive
Deerfield Beach, FL 33442
Technical Service: (866) 794-9659
technical@polyglass.com

Description:

**MOUNTING PLATE
TECNOCOAT SPRAY APPLIED SYSTEMS**

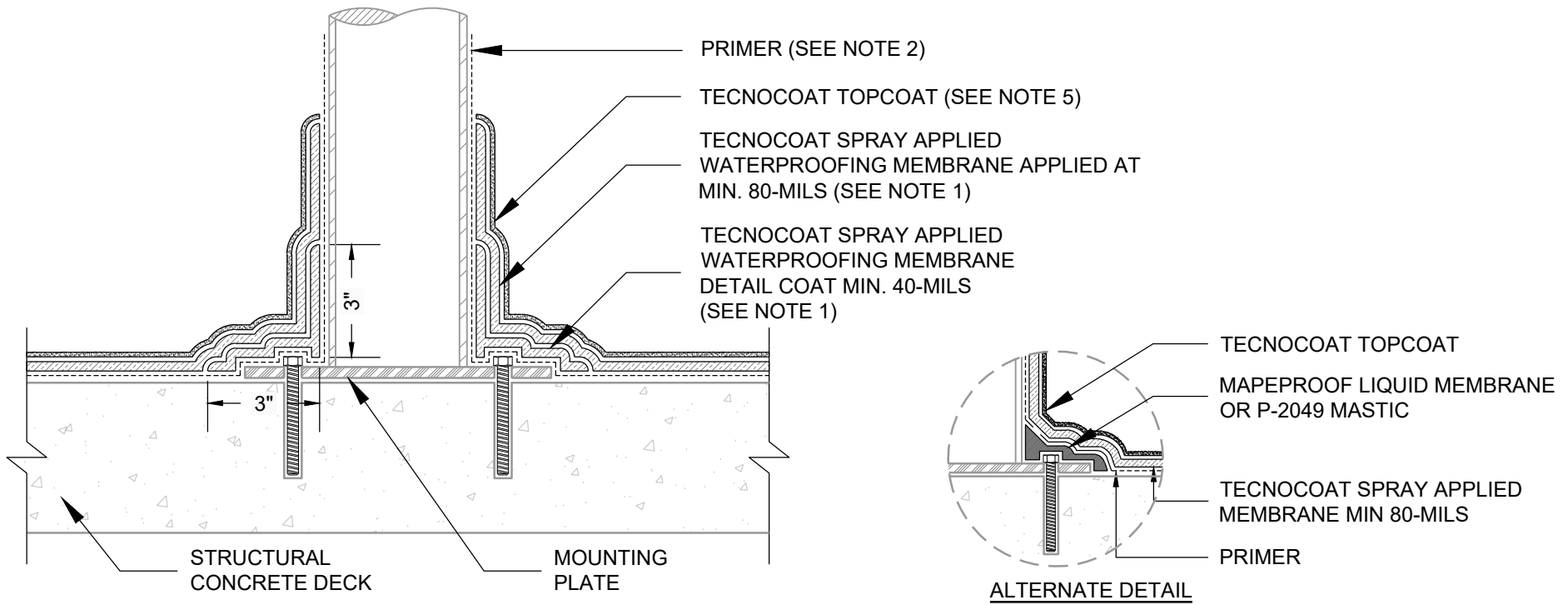
DETAILS ARE INTENDED TO BE A GUIDE FOR WATERPROOFING INSTALLATION ONLY

Supersedes: NEW

Date: 01/16/2025

Drawing Number:
TECS-MOUNTING PLATE

DRAWING NOT TO SCALE



NOTES:

1. THIS DETAIL IS APPLICABLE FOR THE FOLLOWING SPRAY APPLIED WATERPROOFING SYSTEMS: TECNOCOAT P-2049 AND H-2049
2. APPLICABLE PRIMERS FOR CONCRETE SUBSTRATES INCLUDE, EP-1010, EP-1020, PRIMER WET, PU-1050, AND PUc-1050
3. HEIGHT OF WATERPROOFING WILL BE DETERMINED PER PROJECT SPECIFIC REQUIREMENTS
4. DO NOT EXTEND THE TECNOCOAT SPRAY APPLIED WATERPROOFING ABOVE/BEYOND PRIMED SURFACES - EXTEND THE PRIMER APPROX. 2 IN (50 MM) BEYOND THE AREA TO RECEIVE THE SPRAY APPLIED WATERPROOFING
5. CHOOSE APPLICABLE TECNOTOP TOPCOAT PER PROJECT REQUIREMENTS, REFER TO INDIVIDUAL DATA SHEETS FOR APPLICATION INSTRUCTIONS AND APPROPRIATE MIL THICKNESS
6. REFER TO INDIVIDUAL PRODUCT DATA SHEETS FOR ADDITIONAL INSTALLATION INSTRUCTIONS

POLYGLASS



polyglass.us

1111 West Newport Center Drive
Deerfield Beach, FL 33442
Technical Service: (866) 794-9659
technical@polyglass.com

Description:

**MOUNTING PLATE
WITH TOPCOAT
TECNOCOAT SPRAY APPLIED SYSTEMS**

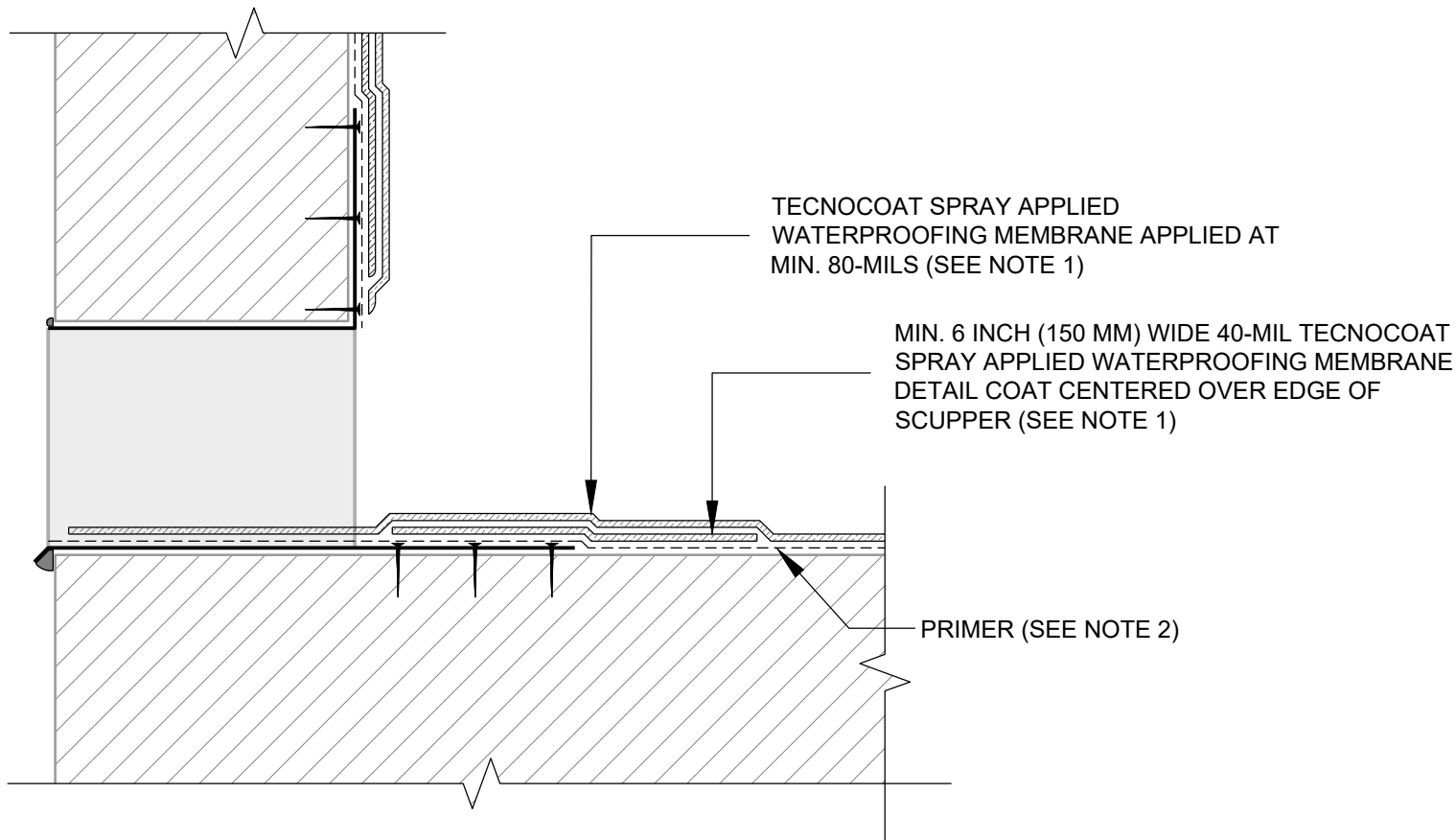
DETAILS ARE INTENDED TO BE A GUIDE FOR WATERPROOFING INSTALLATION ONLY

Supersedes: NEW

Date: 01/16/2025

Drawing Number:
TECS-MOUNTING PLATE WITH
TOPCOAT

DRAWING NOT TO SCALE



NOTES:

1. THIS DETAIL IS APPLICABLE FOR THE FOLLOWING SPRAY APPLIED WATERPROOFING SYSTEMS: TECNOCOAT P-2049 AND H-2049
2. APPLICABLE PRIMERS FOR CONCRETE SUBSTRATES INCLUDE, EP-1010, EP-1020, PRIMER WET, PU-1050, AND PUc-1050
3. DO NOT EXTEND THE TECNOCOAT SPRAY APPLIED WATERPROOFING ABOVE/BEYOND PRIMED SURFACES - EXTEND THE PRIMER APPROX. 2 IN (50 MM) BEYOND THE AREA TO RECEIVE THE SPRAY APPLIED WATERPROOFING
4. OVERBURDEN NOT SHOWN FOR CLARITY
5. REFER TO INDIVIDUAL PRODUCT DATA SHEETS FOR ADDITIONAL INSTALLATION INSTRUCTIONS

POLYGLASS



polyglass.us

1111 West Newport Center Drive
Deerfield Beach, FL 33442
Technical Service: (866) 794-9659
technical@polyglass.com

Description:

SCUPPER
TECNOCOAT SPRAY APPLIED SYSTEMS

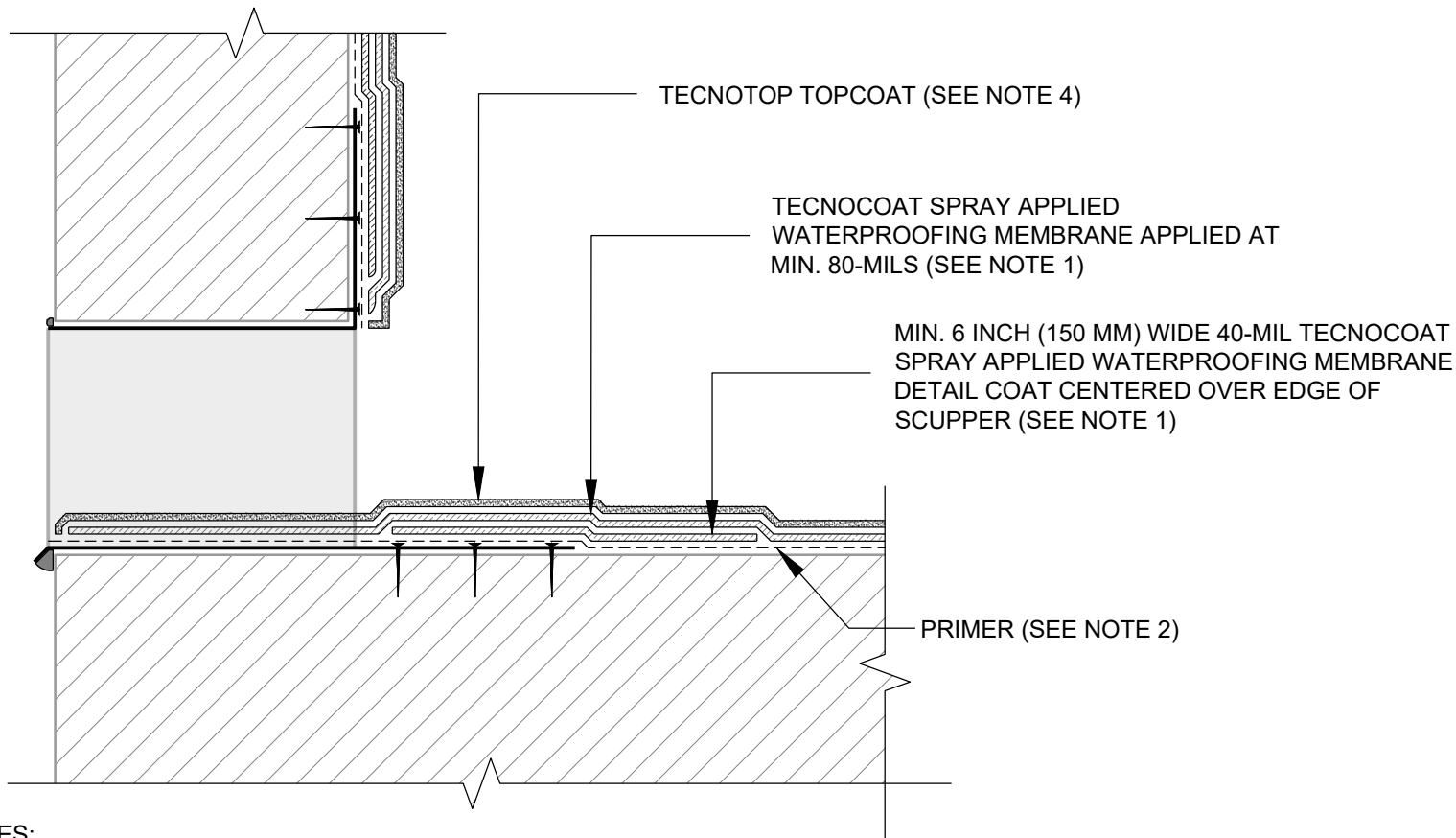
DETAILS ARE INTENDED TO BE A GUIDE FOR WATERPROOFING INSTALLATION ONLY

Supersedes: NEW

Date: 01/16/2025

Drawing Number:
TECS-SCUPPER

DRAWING NOT TO SCALE



NOTES:

1. THIS DETAIL IS APPLICABLE FOR THE FOLLOWING SPRAY APPLIED WATERPROOFING SYSTEMS: TECNOCOAT P-2049 AND H-2049
2. APPLICABLE PRIMERS FOR CONCRETE SUBSTRATES INCLUDE, EP-1010, EP-1020, PRIMER WET, PU-1050, AND PUc-1050
3. DO NOT EXTEND THE TECNOCOAT SPRAY APPLIED WATERPROOFING ABOVE/BEYOND PRIMED SURFACES - EXTEND THE PRIMER APPROX. 2 IN (50 MM) BEYOND THE AREA TO RECEIVE THE SPRAY APPLIED WATERPROOFING
4. CHOOSE APPLICABLE TECNOTOP TOPCOAT PER PROJECT REQUIREMENTS, REFER TO INDIVIDUAL DATA SHEETS FOR APPLICATION INSTRUCTIONS AND APPROPRIATE MIL THICKNESS
5. REFER TO INDIVIDUAL PRODUCT DATA SHEETS FOR ADDITIONAL INSTALLATION INSTRUCTIONS

POLYGLASS



polyglass.us

1111 West Newport Center Drive
Deerfield Beach, FL 33442
Technical Service: (866) 794-9659
technical@polyglass.com

Description:

**SCUPPER WITH TOPCOAT
TECNOCOAT SPRAY APPLIED SYSTEMS**

DETAILS ARE INTENDED TO BE A GUIDE FOR WATERPROOFING INSTALLATION ONLY

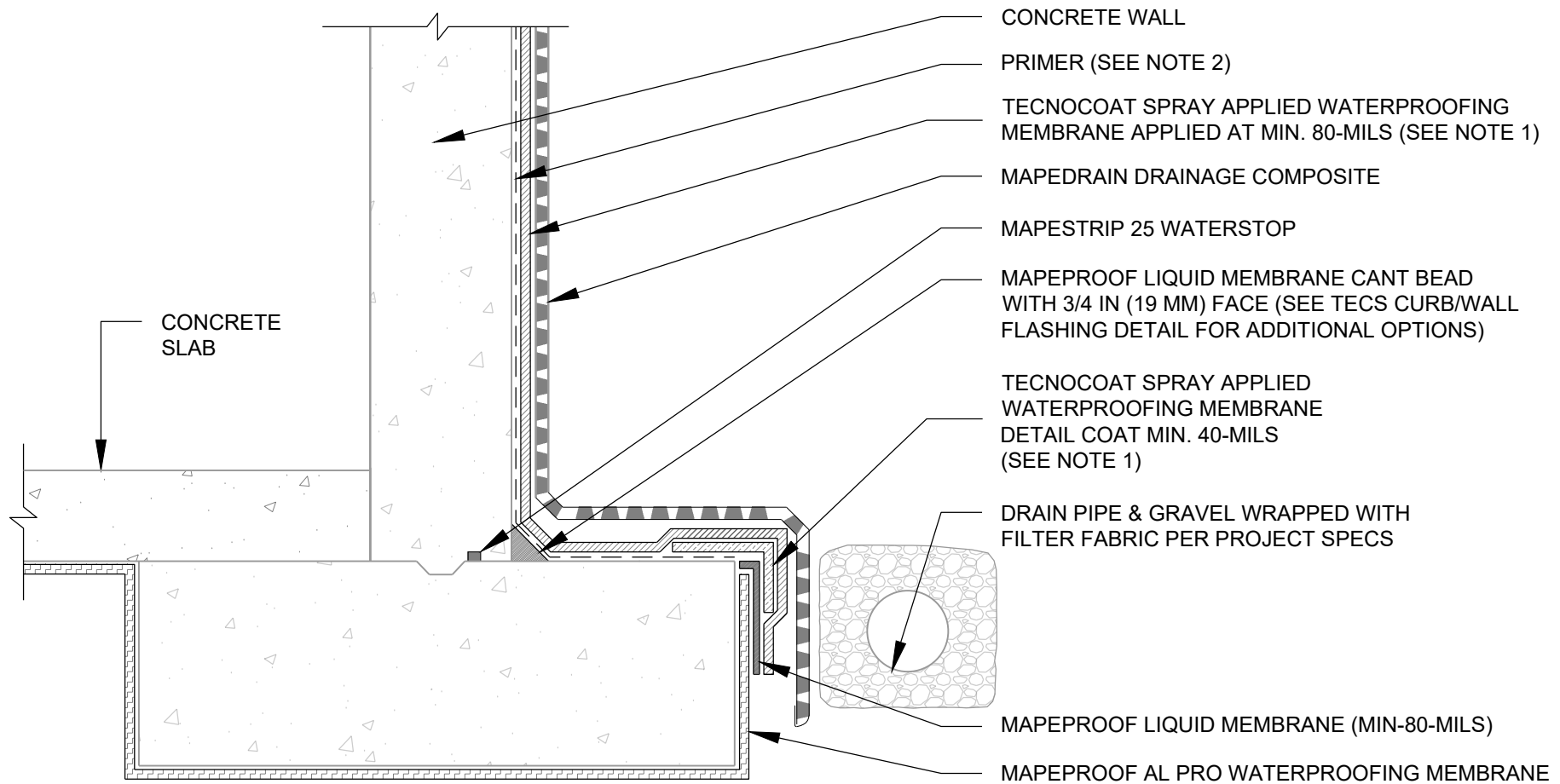
Supersedes: NEW

Date: 01/16/2025

Drawing Number:

TECS-SCUPPER WITH TOPCOAT

DRAWING NOT TO SCALE



NOTES:

1. THIS DETAIL IS APPLICABLE FOR THE FOLLOWING SPRAY APPLIED WATERPROOFING SYSTEMS: TECNOCOAT P-2049 AND H-2049
2. APPLICABLE PRIMERS FOR CONCRETE SUBSTRATES INCLUDE, EP-1010, EP-1020, PRIMER WET, PU-1050, AND PUc-1050
3. DO NOT EXTEND THE TECNOCOAT SPRAY APPLIED WATERPROOFING ABOVE/BEYOND PRIMED SURFACES - EXTEND THE PRIMER APPROX. 2 IN (50 MM) BEYOND THE AREA TO RECEIVE THE SPRAY APPLIED WATERPROOFING
4. REFER TO INDIVIDUAL PRODUCT DATA SHEETS FOR ADDITIONAL INSTALLATION INSTRUCTIONS

POLYGLASS



polyglass.us

1111 West Newport Center Drive
Deerfield Beach, FL 33442
Technical Service: (866) 794-9659
technical@polyglass.com

Description:

**BELOW GRADE WALL TIE-IN TO
MAPEPROOF AL PRO
TECNOCOAT SPRAY APPLIED SYSTEMS**

DETAILS ARE INTENDED TO BE A GUIDE FOR WATERPROOFING INSTALLATION ONLY

Supersedes:

NEW

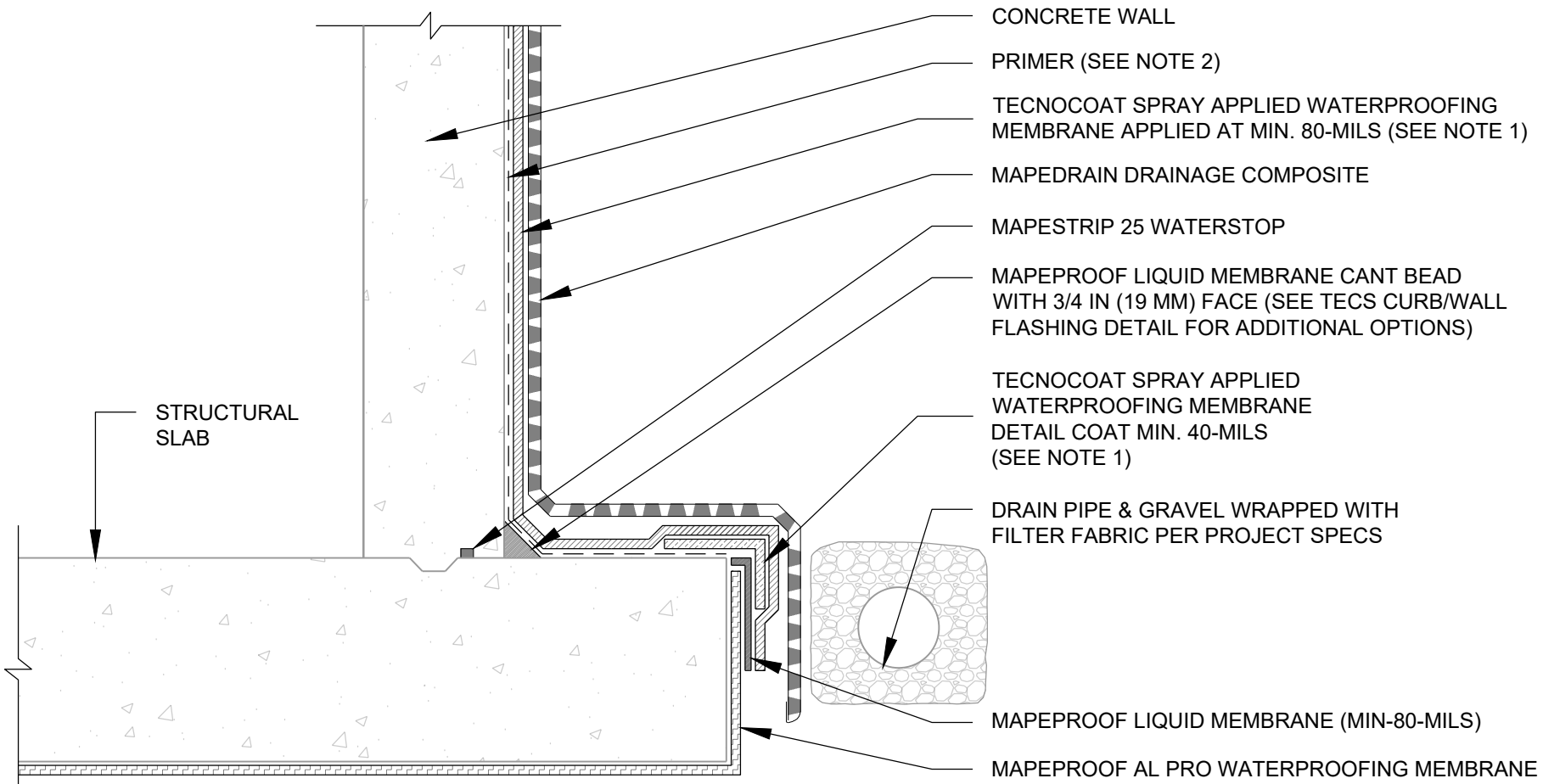
Date:

01/16/2025

Drawing Number:

TECS-BELOW GRADE WALL TIE-IN TO
MAPEPROOF AL PRO

DRAWING NOT TO SCALE



NOTES:

1. THIS DETAIL IS APPLICABLE FOR THE FOLLOWING SPRAY APPLIED WATERPROOFING SYSTEMS: TECNOCOAT P-2049 AND H-2049
2. APPLICABLE PRIMERS FOR CONCRETE SUBSTRATES INCLUDE, EP-1010, EP-1020, PRIMER WET, PU-1050, AND PUc-1050
3. DO NOT EXTEND THE TECNOCOAT SPRAY APPLIED WATERPROOFING ABOVE/BEYOND PRIMED SURFACES - EXTEND THE PRIMER APPROX. 2 IN (50 MM) BEYOND THE AREA TO RECEIVE THE SPRAY APPLIED WATERPROOFING
4. REFER TO INDIVIDUAL PRODUCT DATA SHEETS FOR ADDITIONAL INSTALLATION INSTRUCTIONS

POLYGLASS



polyglass.us

1111 West Newport Center Drive
 Deerfield Beach, FL 33442
 Technical Service: (866) 794-9659
 technical@polyglass.com

Description:

**ELEVATOR PIT
 TECNOCOAT SPRAY APPLIED SYSTEMS**

DETAILS ARE INTENDED TO BE A GUIDE FOR WATERPROOFING INSTALLATION ONLY

Supersedes: NEW

Date: 01/16/2025

Drawing Number:

TECS-ELEVATOR PIT

DRAWING NOT TO SCALE