

# TECNOCOAT HAND APPLIED WATERPROOFING SYSTEM DRAWING LIST

## GENERAL ASSEMBLIES

- TECH-WATERPROOFING ASSEMBLY
- TECH-PEDESTRIAN / VEHICULAR ASSEMBLY
- TECH-PLYWOOD ASSEMBLY
- TECH-PLYWOOD ASSEMBLY WITH TOPCOAT
- TECH-SPLIT SLAB
- TECH-INSULATED SPLIT SLAB
- TECH-PEDESTAL PAVERS
- TECH-GREEN/VEGETATIVE ROOF SYSTEM
- TECH-THINSET AND TILE

## SUBSTRATE PREPARATION

- TECH-CRACK TREATMENT
- TECH-CRACK TREATMENT WITH TOPCOAT

## CORNERS

- TECH-OUTSIDE CORNERS
- TECH-OUTSIDE CORNERS WITH TOPCOAT

## FLASHING

- TECH-FLASHING AT DECK TO CURB / WALL
- TECH-FLASHING AT DECK TO CURB / WALL WITH TOPCOAT

## DRAINS

- TECH-BI-LEVEL DRAIN
- TECH-SURFACE DRAIN WITH TOPCOAT

## PENETRATIONS

- TECH-PENETRATION DECK OR WALL
- TECH-PENETRATION WITH TOPCOAT DECK OR WALL
- TECH-SCUPPER
- TECH-SCUPPER WITH TOPCOAT
- TECH-MOUNTING PLATE
- TECH-MOUNTING PLATE WITH TOPCOAT

**POLYGLASS**



**polyglass.us**

1111 West Newport Center Drive  
Deerfield Beach, FL 33442  
Technical Service: (866) 794-9659  
technical@polyglass.com

**Description:**

## DRAWING LIST

### TECNOCOAT HAND APPLIED SYSTEM

DETAILS ARE INTENDED TO BE A GUIDE FOR WATERPROOFING INSTALLATION ONLY

**Supersedes:** NEW

**Date:** 01/16/25

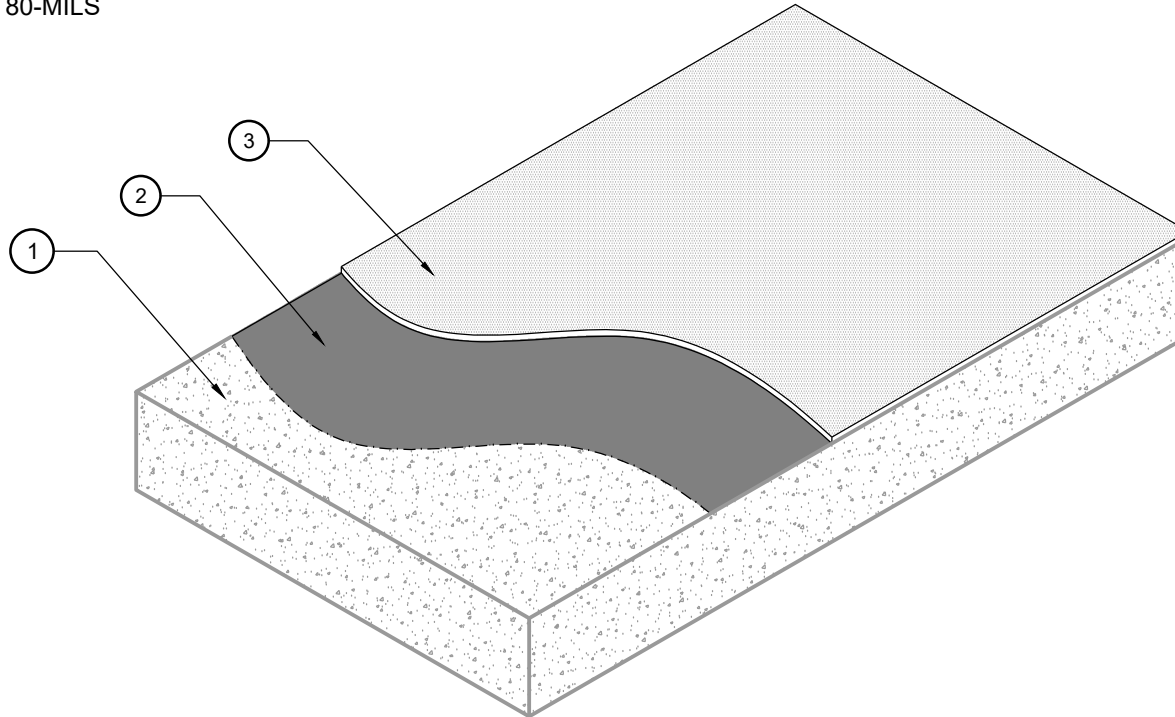
**Drawing Number:**

TECH-DRAWING LIST

DRAWING NOT TO SCALE

**SYSTEM INSTALLATION**

1. STRUCTURAL DECK AS SPECIFIED
2. PRIMER (SEE NOTE 1)
3. TECNOCOAT CP-2049 HAND APPLIED WATERPROOFING MEMBRANE INSTALLED AT MIN. 80-MILS



**NOTES:**

1. APPLICABLE PRIMERS FOR CONCRETE SUBSTRATES INCLUDE, EP-1010, EP-1020, PRIMER WET, PU-1050, AND PUc-1050
2. DO NOT EXTEND THE TECNOCOAT HAND APPLIED WATERPROOFING ABOVE/BEYOND PRIMED SURFACES - EXTEND THE PRIMER APPROX. 2 IN (50 MM) BEYOND THE AREA TO RECEIVE THE HAND APPLIED WATERPROOFING
3. OVERBURDEN NOT SHOWN FOR CLARITY
4. REFER TO INDIVIDUAL PRODUCT DATA SHEETS FOR ADDITIONAL INSTALLATION INSTRUCTIONS

**POLYGLASS**



**polyglass.us**

1111 West Newport Center Drive  
Deerfield Beach, FL 33442  
Technical Service: (866) 794-9659  
technical@polyglass.com

**Description:**

**WATERPROOFING ASSEMBLY**  
**TECNOCOAT HAND APPLIED SYSTEMS**

DETAILS ARE INTENDED TO BE A GUIDE FOR WATERPROOFING INSTALLATION ONLY

**Supersedes:** NEW

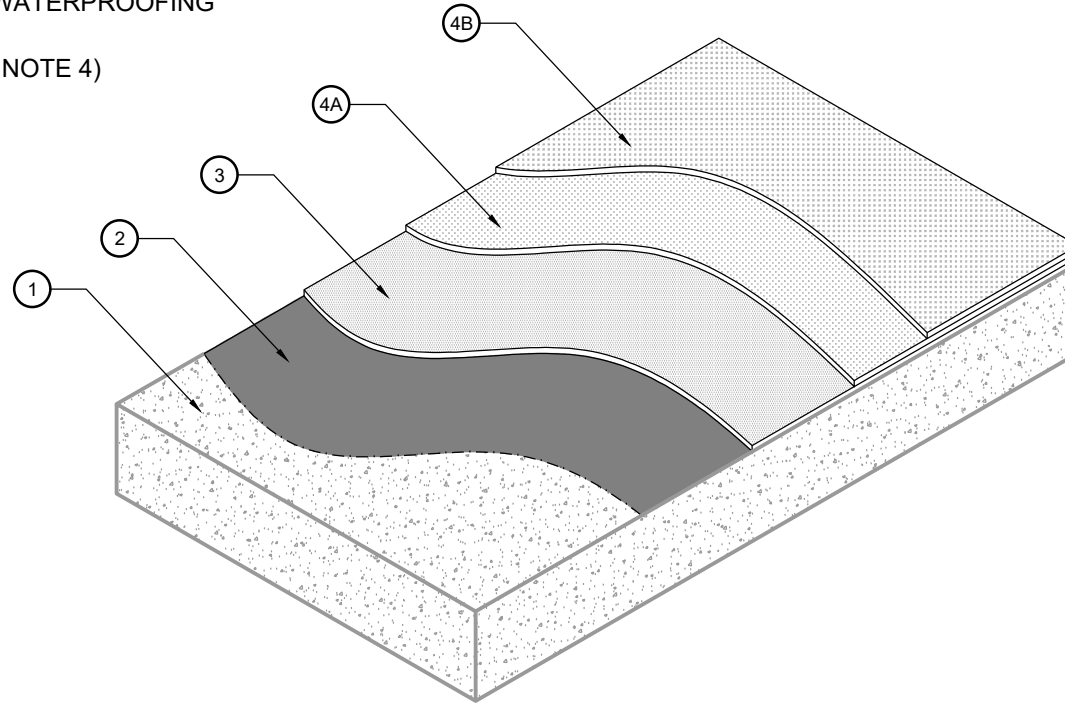
**Date:** 01/16/25

**Drawing Number:**  
TECH-WATERPROOFING ASSEMBLY

DRAWING NOT TO SCALE

**SYSTEM INSTALLATION**

1. STRUCTURAL DECK AS SPECIFIED
2. PRIMER (SEE NOTE 1)
3. TECNOCOAT CP-2049 HAND APPLIED WATERPROOFING MEMBRANE (SEE NOTE 3)
- 4A. TOPCOAT SANDED TO REFUSAL (SEE NOTE 4)
- 4B. TOPCOAT (SEE NOTE 4)



**NOTES:**

1. APPLICABLE PRIMERS FOR CONCRETE SUBSTRATES INCLUDE, EP-1010, EP-1020, PRIMER WET, PU-1050, AND PUc-1050
2. DO NOT EXTEND THE TECNOCOAT HAND APPLIED WATERPROOFING ABOVE/BEYOND PRIMED SURFACES - EXTEND THE PRIMER APPROX. 2 IN (50 MM) BEYOND THE AREA TO RECEIVE THE HAND APPLIED WATERPROOFING
3. TECNOCOAT CP-2049 HAND APPLIED WATERPROOFING MEMBRANE INSTALLED AT MIN. 80-MILS
4. CHOOSE APPLICABLE TECNOTOP TOPCOAT PER PROJECT REQUIREMENTS, REFER TO INDIVIDUAL DATA SHEETS FOR APPLICATION INSTRUCTIONS AND APPROPRIATE MIL THICKNESS
5. REFER TO INDIVIDUAL PRODUCT DATA SHEETS FOR ADDITIONAL INSTALLATION INSTRUCTIONS

**POLYGLASS**



**polyglass.us**

1111 West Newport Center Drive  
Deerfield Beach, FL 33442  
Technical Service: (866) 794-9659  
technical@polyglass.com

**Description:**

**WATERPROOFING / PEDESTRIAN /  
VEHICULAR ASSEMBLY  
TECNOCOAT HAND APPLIED SYSTEMS**

DETAILS ARE INTENDED TO BE A GUIDE FOR WATERPROOFING INSTALLATION ONLY

**Supersedes:**

NEW

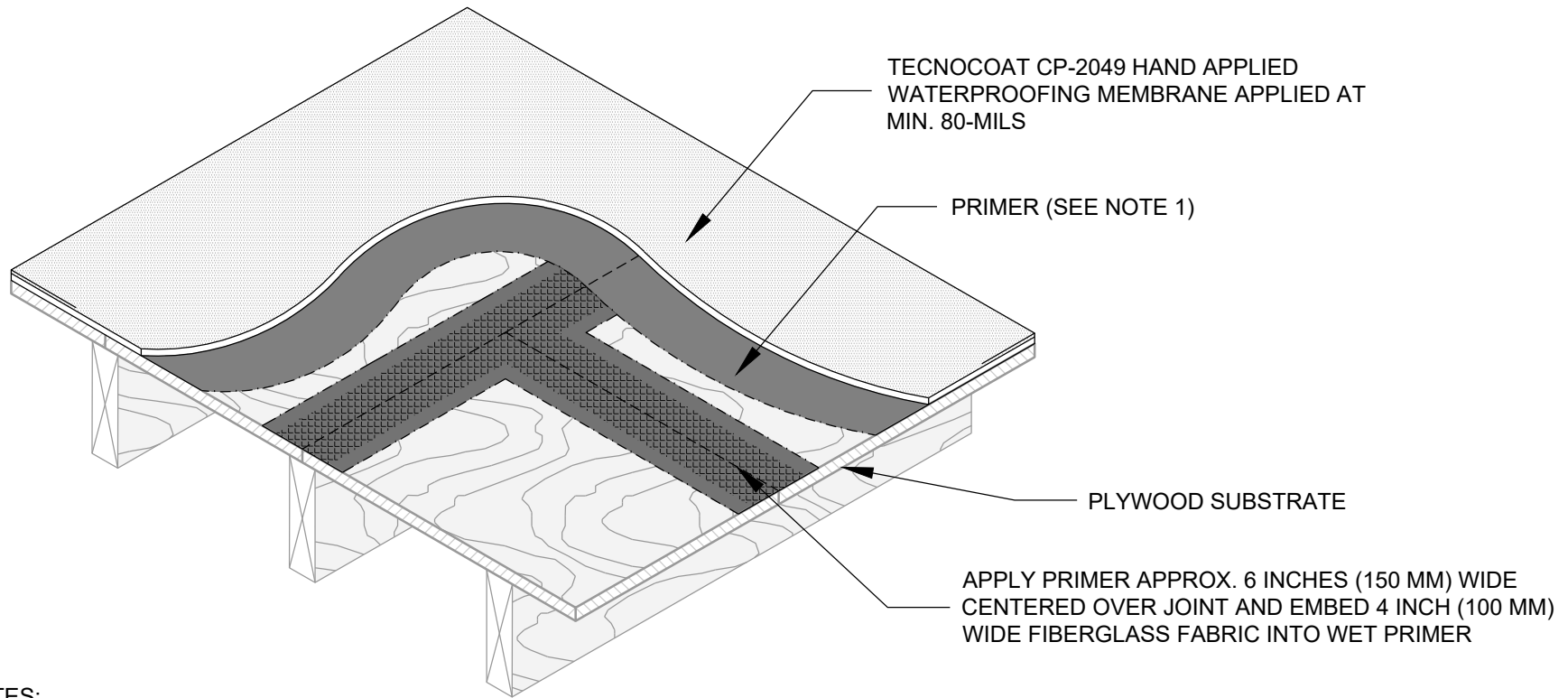
**Date:**

01/16/25

**Drawing Number:**

TECH-WATERPROOFING /  
PEDESTRIAN / VEHICULAR  
ASSEMBLY

DRAWING NOT TO SCALE



**NOTES:**

1. APPLICABLE PRIMERS FOR PLYWOOD SUBSTRATES INCLUDE, EP-1010, PU-1050 AND PUc-1050
2. DO NOT EXTEND THE TECNOCOAT HAND APPLIED WATERPROOFING ABOVE/BEYOND PRIMED SURFACES - EXTEND THE PRIMER APPROX. 2 IN (50 MM) BEYOND THE AREA TO RECEIVE THE HAND APPLIED WATERPROOFING
3. PLYWOOD MUST MEET EXTERIOR GRADE APA EXPOSURE REQUIREMENTS
4. ENSURE THE ASSEMBLY HAS ADEQUATE VENTILATION IF APPLICABLE AND COMPLIES WITH ALL BUILDING CODE REQUIREMENTS
5. PLYWOOD MUST BE CLEAN, DRY WITH FLUSH PANEL JOINTS, SUPPORTED BY FRAMING/BLOCKING BETWEEN JOISTS
6. THE SYSTEM MUST BE INTEGRATED WITH PROPERLY INSTALLED FLASHINGS WHEN APPLICABLE TO FORM A WATERTIGHT AND WATER SHEDDING APPLICATION
7. OVERBURDEN NOT SHOWN FOR CLARITY
8. REFER TO INDIVIDUAL PRODUCT DATA SHEETS FOR ADDITIONAL INSTALLATION INSTRUCTIONS

**POLYGLASS**



**polyglass.us**

1111 West Newport Center Drive  
Deerfield Beach, FL 33442  
Technical Service: (866) 794-9659  
technical@polyglass.com

**Description:**

**PLYWOOD ASSEMBLY  
TECNOCOAT HAND APPLIED SYSTEMS**

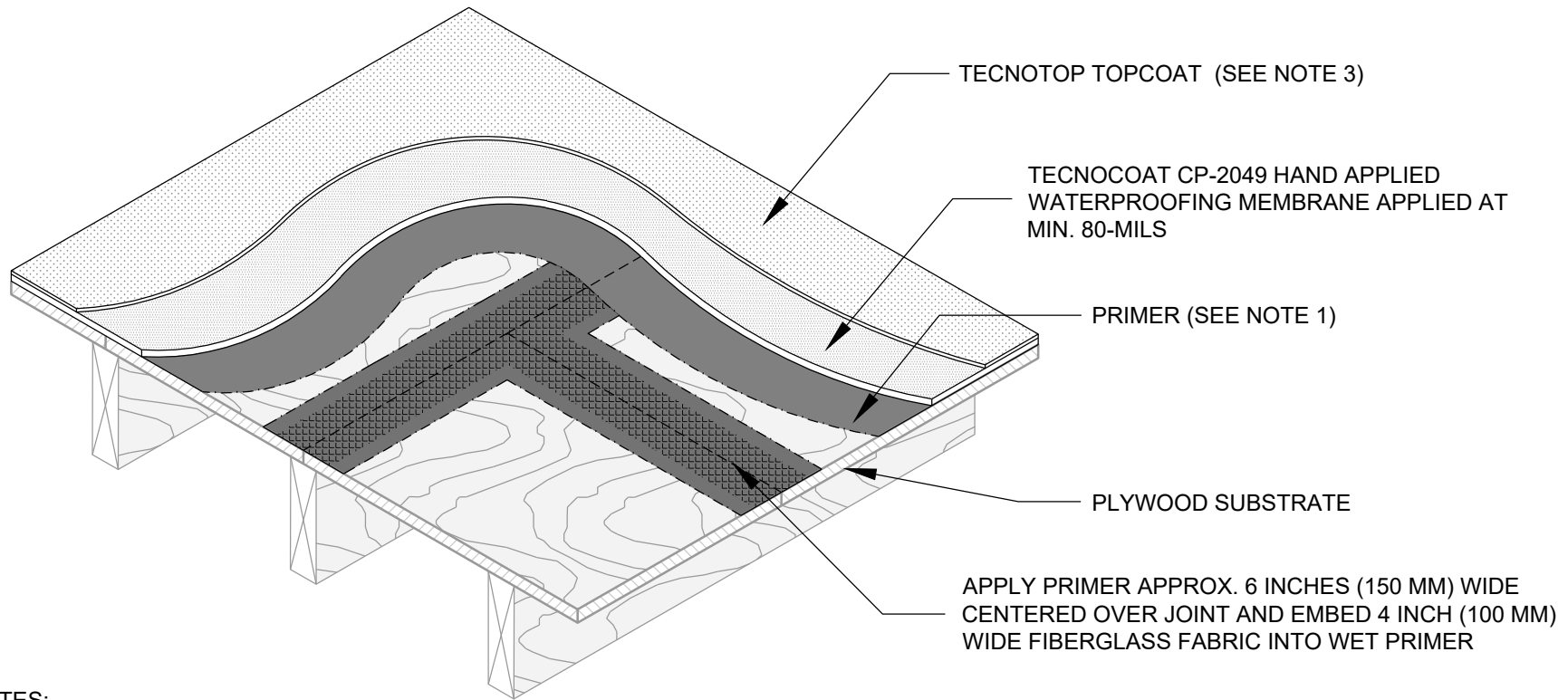
DETAILS ARE INTENDED TO BE A GUIDE FOR WATERPROOFING INSTALLATION ONLY

**Supersedes:** NEW

**Date:** 01/16/25

**Drawing Number:**  
TECH-PLYWOOD ASSEMBLY

DRAWING NOT TO SCALE



**NOTES:**

1. APPLICABLE PRIMERS FOR PLYWOOD SUBSTRATES INCLUDE, EP-1010, PU-1050 AND PUC-1050
2. DO NOT EXTEND THE TECNOCOAT HAND APPLIED WATERPROOFING ABOVE/BEYOND PRIMED SURFACES - EXTEND THE PRIMER APPROX. 2 IN (50 MM) BEYOND THE AREA TO RECEIVE THE HAND APPLIED WATERPROOFING
3. CHOOSE APPLICABLE TECNOTOP TOPCOAT PER PROJECT REQUIREMENTS, REFER TO INDIVIDUAL DATA SHEETS FOR APPLICATION INSTRUCTIONS AND APPROPRIATE MIL THICKNESS
4. PLYWOOD MUST MEET EXTERIOR GRADE APA EXPOSURE REQUIREMENTS
5. ENSURE THE ASSEMBLY HAS ADEQUATE VENTILATION IF APPLICABLE AND COMPLIES WITH ALL BUILDING CODE REQUIREMENTS
6. PLYWOOD MUST BE CLEAN, DRY WITH FLUSH PANEL JOINTS, SUPPORTED BY FRAMING/BLOCKING BETWEEN JOISTS
7. THE SYSTEM MUST BE INTEGRATED WITH PROPERLY INSTALLED FLASHINGS WHEN APPLICABLE TO FORM A WATERTIGHT AND WATER SHEDDING APPLICATION
8. REFER TO INDIVIDUAL PRODUCT DATA SHEETS FOR ADDITIONAL INSTALLATION INSTRUCTIONS

**POLYGLASS**



**polyglass.us**

1111 West Newport Center Drive  
Deerfield Beach, FL 33442  
Technical Service: (866) 794-9659  
technical@polyglass.com

**Description:**

**PLYWOOD ASSEMBLY WITH TOPCOAT  
TECNOCOAT HAND APPLIED SYSTEMS**

DETAILS ARE INTENDED TO BE A GUIDE FOR WATERPROOFING INSTALLATION ONLY

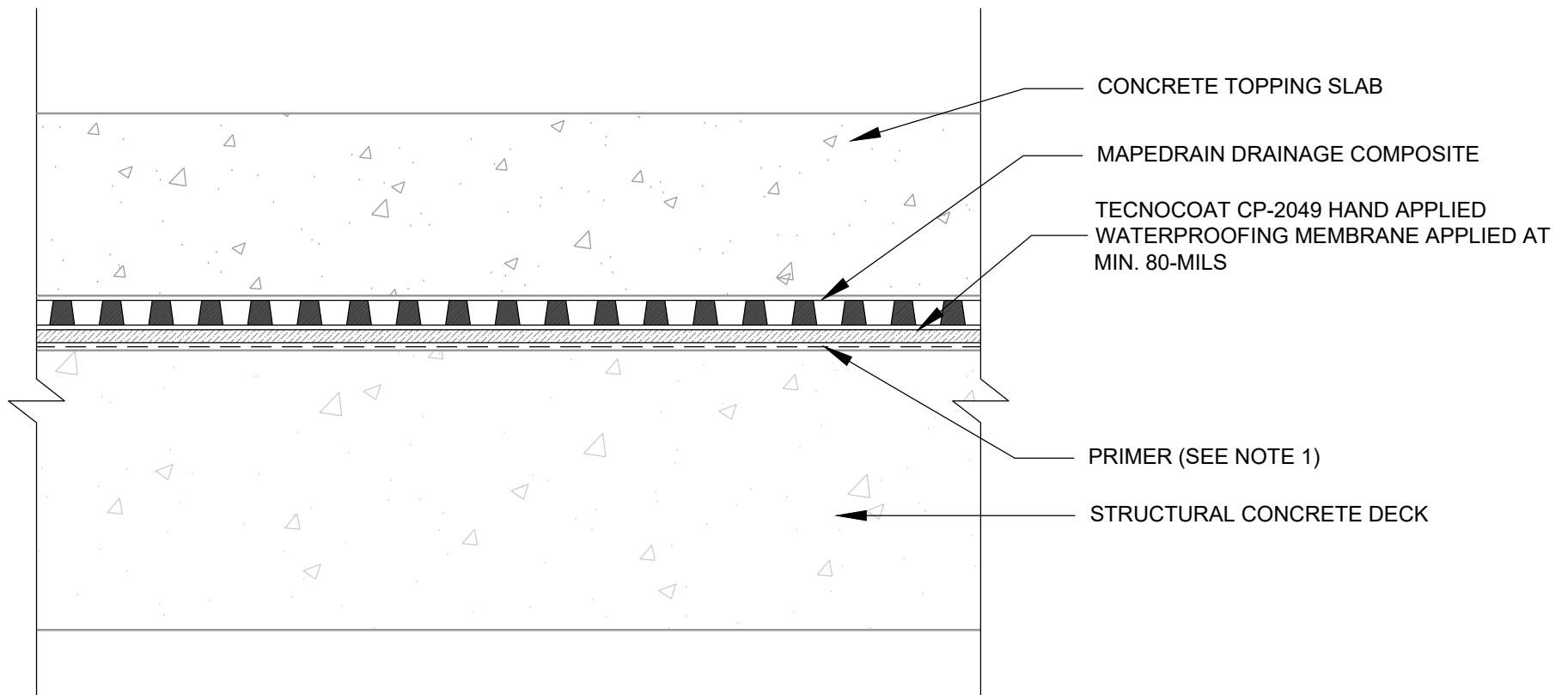
**Supersedes:** NEW

**Date:** 01/16/25

**Drawing Number:**

TECH-PLYWOOD ASSEMBLY WITH  
TOPCOAT

DRAWING NOT TO SCALE



**NOTES:**

1. APPLICABLE PRIMERS FOR CONCRETE SUBSTRATES INCLUDE, EP-1010, EP-1020, PRIMER WET, PU-1050, AND PUc-1050
2. OVERBURDEN WILL BE DETERMINED BY PROJECT SPECIFIC REQUIREMENTS AND MAY DIFFER FROM WHAT IS SHOWN ABOVE
3. DO NOT EXTEND THE TECNOCOAT HAND APPLIED WATERPROOFING ABOVE/BEYOND PRIMED SURFACES
4. REFER TO INDIVIDUAL PRODUCT DATA SHEETS FOR ADDITIONAL INSTALLATION INSTRUCTIONS

**POLYGLASS**



**polyglass.us**

1111 West Newport Center Drive  
Deerfield Beach, FL 33442  
Technical Service: (866) 794-9659  
technical@polyglass.com

**Description:**

**SPLIT SLAB**  
**TECNOCOAT HAND APPLIED SYSTEMS**

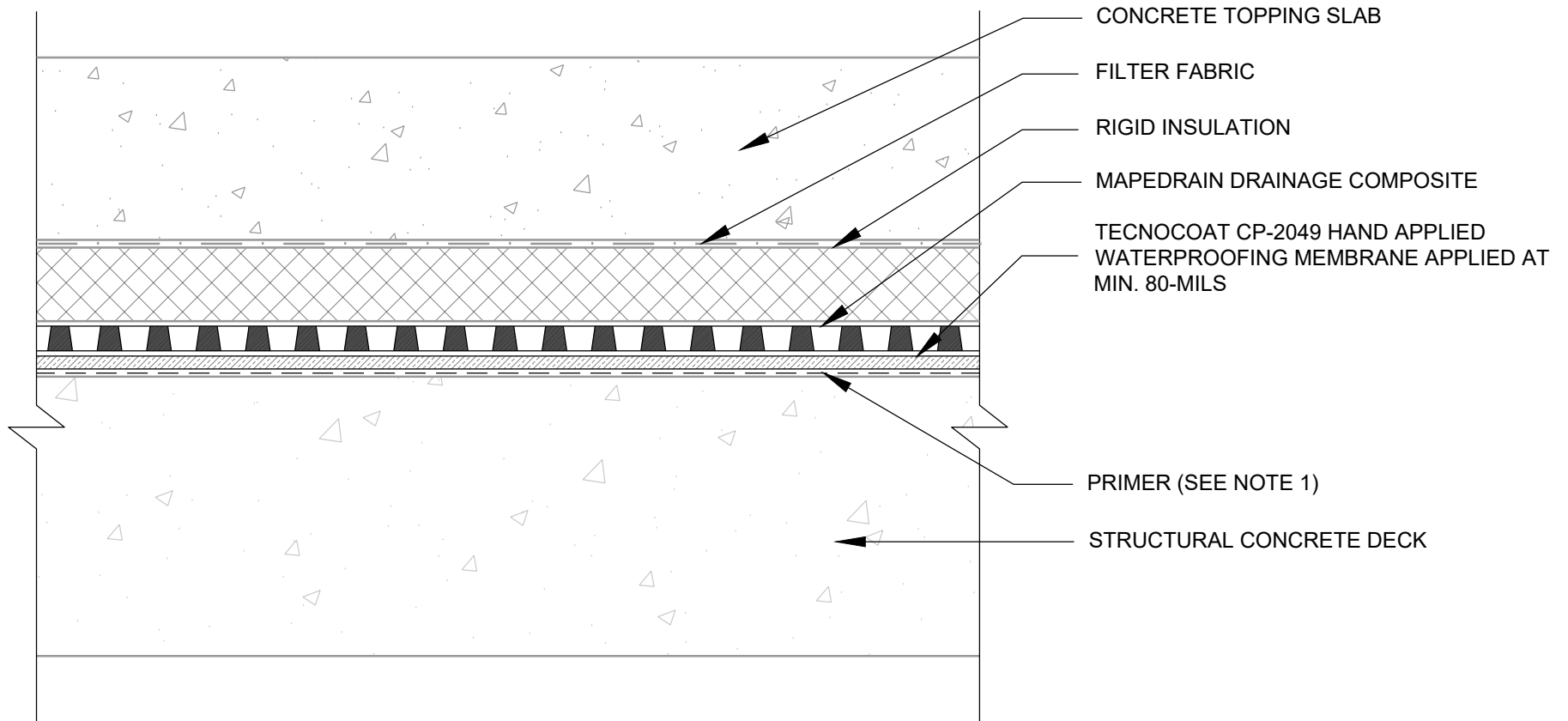
DETAILS ARE INTENDED TO BE A GUIDE FOR WATERPROOFING INSTALLATION ONLY

**Supersedes:** NEW

**Date:** 01/16/2025

**Drawing Number:**  
TECH-SPLIT SLAB

DRAWING NOT TO SCALE



**NOTES:**

1. APPLICABLE PRIMERS FOR CONCRETE SUBSTRATES INCLUDE, EP-1010, EP-1020, PRIMER WET, PU-1050, AND PUC-1050
2. OVERBURDEN WILL BE DETERMINED BY PROJECT SPECIFIC REQUIREMENTS AND MAY DIFFER FROM WHAT IS SHOWN ABOVE
3. DO NOT EXTEND THE TECNOCOAT HAND APPLIED WATERPROOFING ABOVE/BEYOND PRIMED SURFACES
4. REFER TO INDIVIDUAL PRODUCT DATA SHEETS FOR ADDITIONAL INSTALLATION INSTRUCTIONS

**POLYGLASS**



**polyglass.us**

1111 West Newport Center Drive  
Deerfield Beach, FL 33442  
Technical Service: (866) 794-9659  
technical@polyglass.com

**Description:**

**INSULATED SPLIT SLAB  
TECNOCOAT HAND APPLIED SYSTEMS**

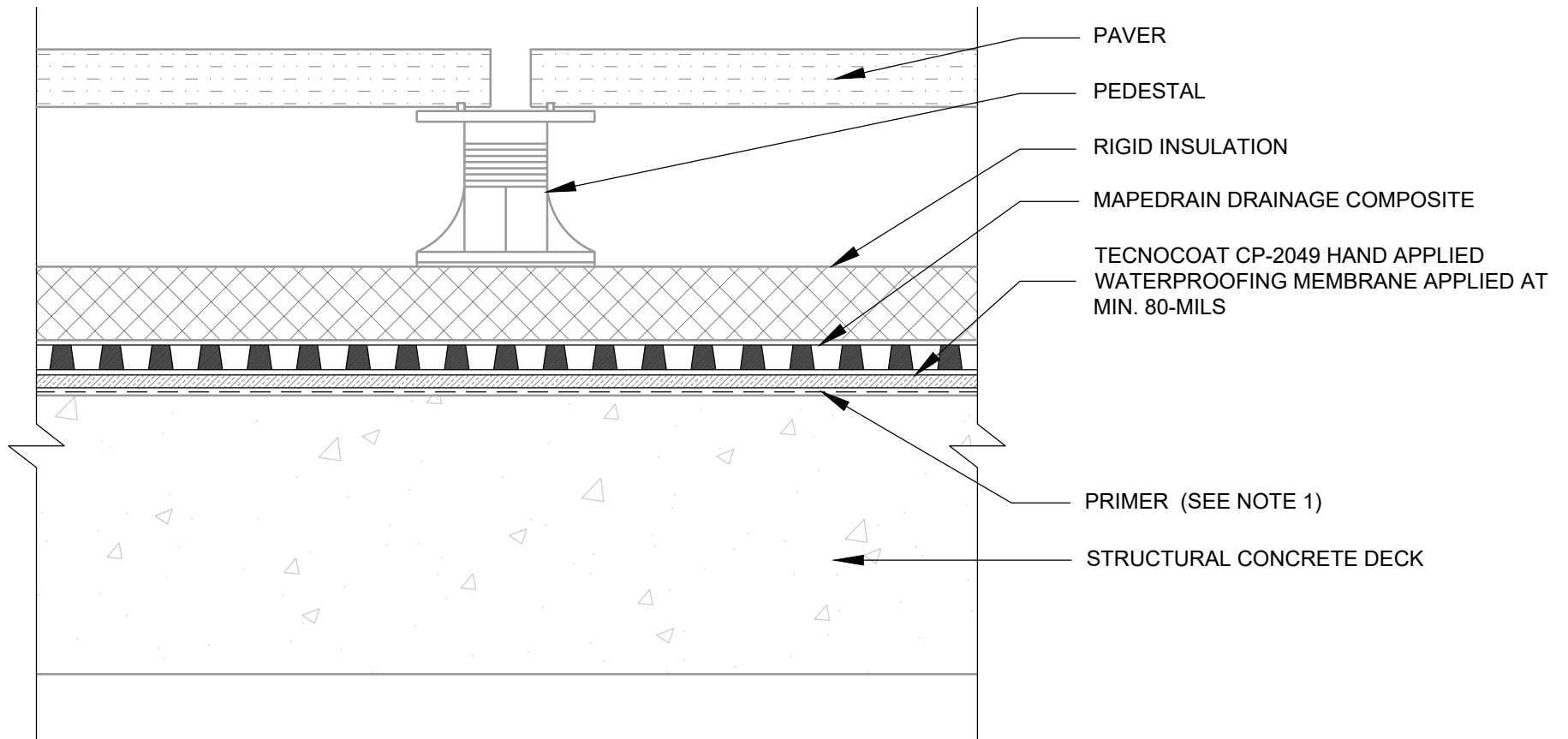
DETAILS ARE INTENDED TO BE A GUIDE FOR WATERPROOFING INSTALLATION ONLY

**Supersedes:** NEW

**Date:** 01/16/2025

**Drawing Number:**  
TECH-INSULATED SPLIT SLAB

DRAWING NOT TO SCALE



**NOTES:**

1. APPLICABLE PRIMERS FOR CONCRETE SUBSTRATES INCLUDE, EP-1010, EP-1020, PRIMER WET, PU-1050, AND PUc-1050
2. OVERBURDEN WILL BE DETERMINED BY PROJECT SPECIFIC REQUIREMENTS AND MAY DIFFER FROM WHAT IS SHOWN ABOVE
3. DO NOT EXTEND THE TECNOCOAT HAND APPLIED WATERPROOFING ABOVE/BEYOND PRIMED SURFACES
4. REFER TO INDIVIDUAL PRODUCT DATA SHEETS FOR ADDITIONAL INSTALLATION INSTRUCTIONS

**POLYGLASS**



**polyglass.us**

1111 West Newport Center Drive  
Deerfield Beach, FL 33442  
Technical Service: (866) 794-9659  
technical@polyglass.com

**Description:**

**PEDESTAL PAVER SYSTEM**  
TECNOCOAT HAND APPLIED SYSTEMS

*DETAILS ARE INTENDED TO BE A GUIDE FOR WATERPROOFING INSTALLATION ONLY*

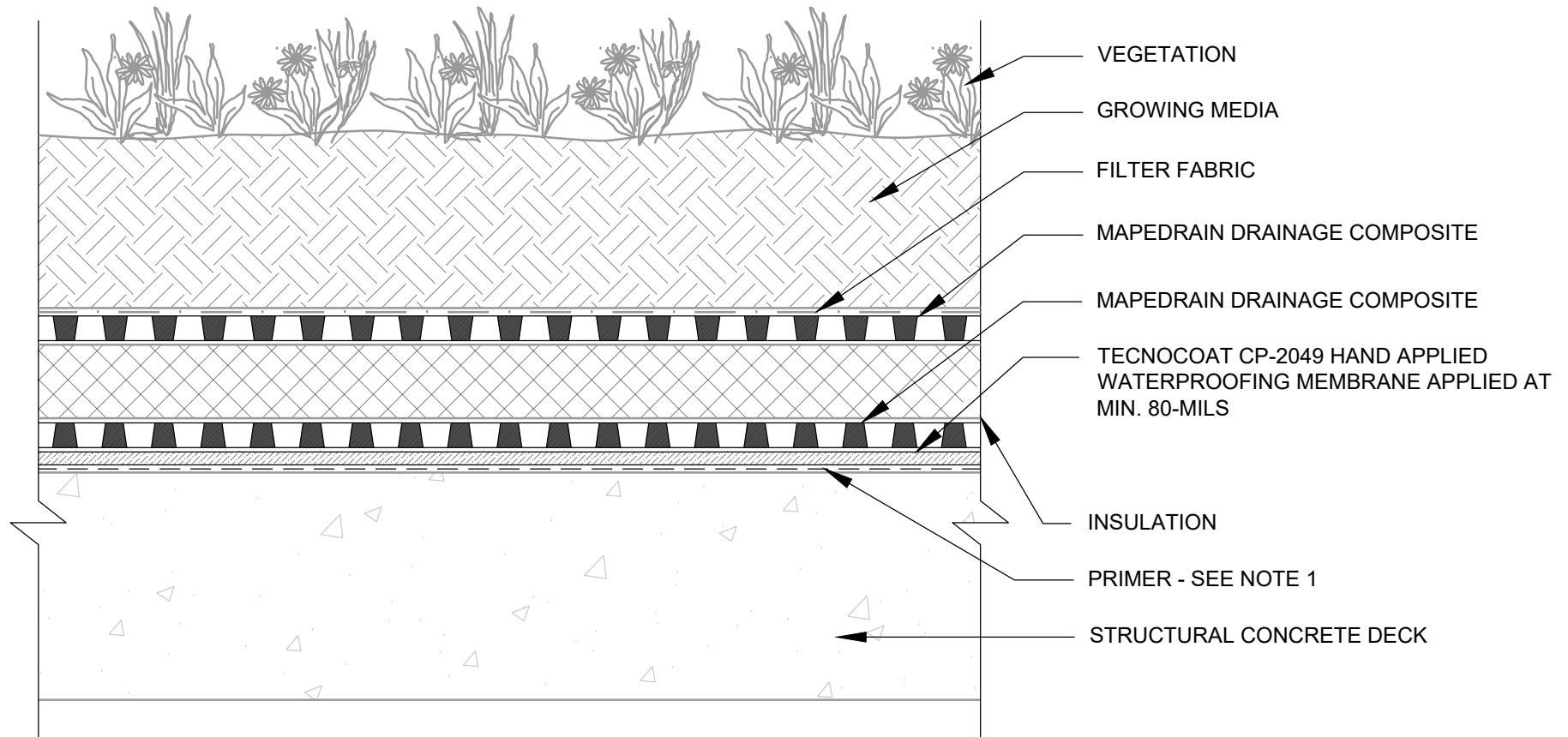
**Supersedes:** NEW

**Date:** 01/26/2025

**Drawing Number:**  
TECH-PEDESTAL PAVER SYSTEM

*DRAWING NOT TO SCALE*





**NOTES:**

1. APPLICABLE PRIMERS FOR CONCRETE SUBSTRATES INCLUDE, EP-1010, EP-1020, PRIMER WET, PU-1050, AND PUc-1050
2. OVERBURDEN WILL BE DETERMINED BY PROJECT SPECIFIC REQUIREMENTS AND MAY DIFFER FROM WHAT IS SHOWN ABOVE
3. DO NOT EXTEND THE TECNOCOAT HAND APPLIED WATERPROOFING ABOVE/BEYOND PRIMED SURFACES
4. REFER TO INDIVIDUAL PRODUCT DATA SHEETS FOR ADDITIONAL INSTALLATION INSTRUCTIONS

**POLYGLASS**



**polyglass.us**

1111 West Newport Center Drive  
Deerfield Beach, FL 33442  
Technical Service: (866) 794-9659  
technical@polyglass.com

**Description:**

**GREEN / VEGETATIVE ROOF SYSTEM**  
TECNOCOAT HAND APPLIED SYSTEMS

DETAILS ARE INTENDED TO BE A GUIDE FOR WATERPROOFING INSTALLATION ONLY

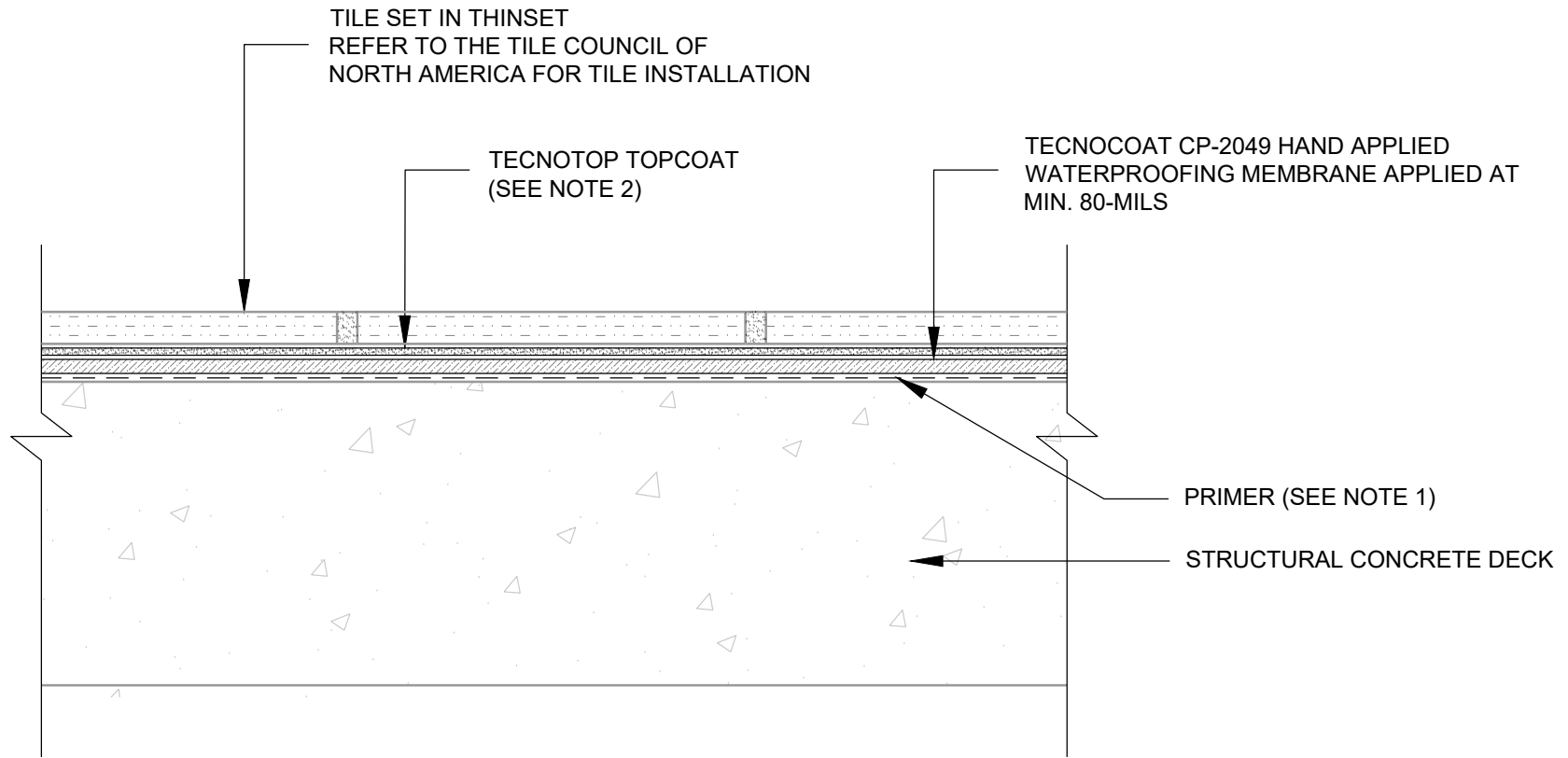
**Supersedes:** NEW

**Date:** 01/16/2025

**Drawing Number:**

TECH-GREEN / VEGETATIVE ROOF SYSTEM

DRAWING NOT TO SCALE



**NOTES:**

1. APPLICABLE PRIMERS FOR CONCRETE SUBSTRATES INCLUDE, EP-1010, EP-1020, PRIMER WET, PU-1050, AND PUc-1050
2. BROADCAST KILN DRIED #20/30 SILICA SAND INTO APPROX. 10-15 MILS OF WET TECNOTOP 2C OR TECNOTOP S-3000 TO REJECTION, REMOVE EXCESS AFTER CURING
3. DO NOT EXTEND THE TECNOCOAT HAND APPLIED WATERPROOFING ABOVE/BEYOND PRIMED SURFACES
4. REFER TO INDIVIDUAL PRODUCT DATA SHEETS FOR ADDITIONAL INSTALLATION INSTRUCTIONS

**POLYGLASS**



**polyglass.us**

1111 West Newport Center Drive  
Deerfield Beach, FL 33442  
Technical Service: (866) 794-9659  
technical@polyglass.com

**Description:**

**THINSET AND TILE  
TECNOCOAT HAND APPLIED SYSTEMS**

*DETAILS ARE INTENDED TO BE A GUIDE FOR WATERPROOFING INSTALLATION ONLY*

**Supersedes:**

NEW

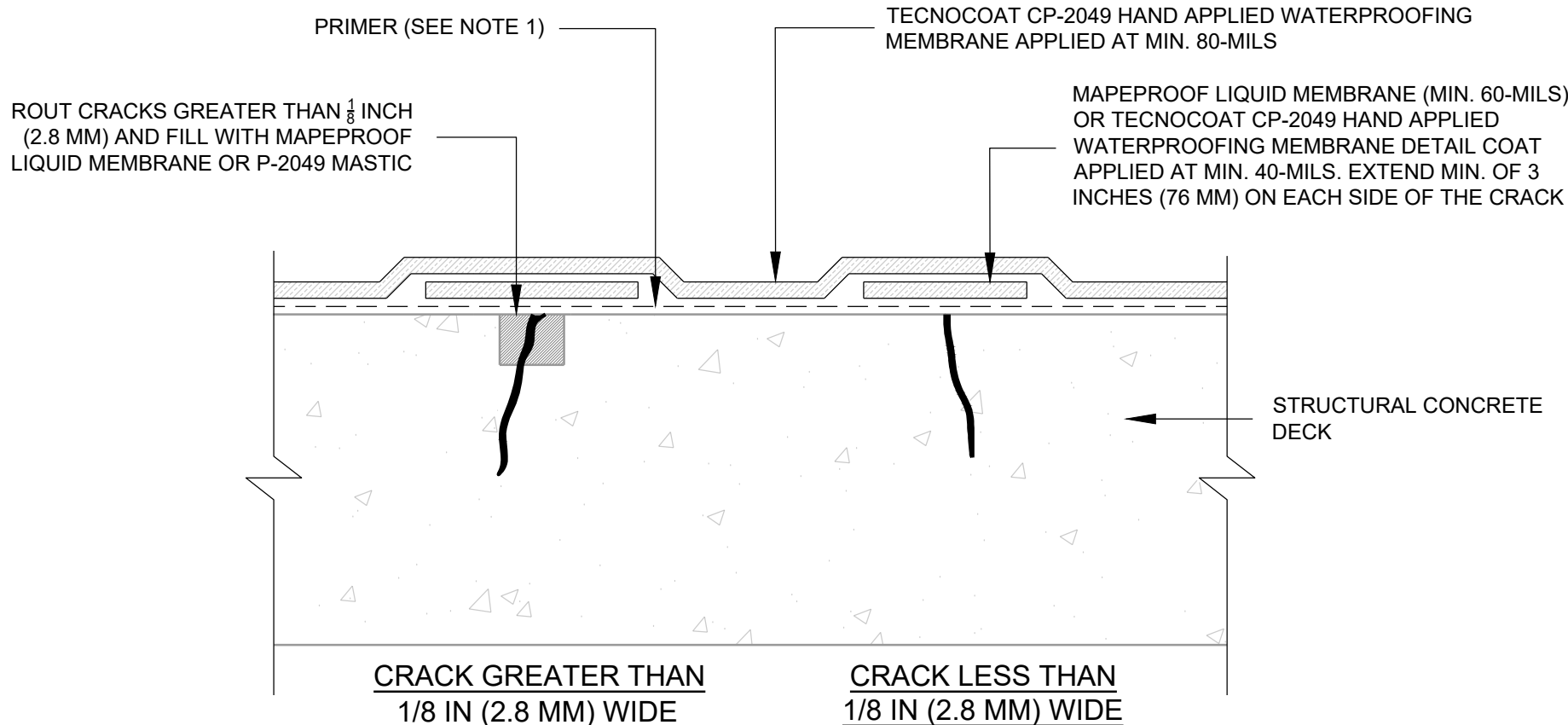
**Date:**

01/16/2025

**Drawing Number:**

TECH-THINSET AND TILE

*DRAWING NOT TO SCALE*



**NOTES:**

1. APPLICABLE PRIMERS FOR CONCRETE SUBSTRATES INCLUDE, EP-1010, EP-1020, PRIMER WET, PU-1050, AND PUc-1050
2. FOR CRACKS LESS THAN 1/8 INCH (2.8 MM) WIDE, REMOVE EXCESS PRIMER FROM CRACK AND FILL CRACK WITH TECNOCOAT CP-2049
3. DO NOT EXTEND THE TECNOCOAT HAND APPLIED WATERPROOFING ABOVE/BEYOND PRIMED SURFACES - EXTEND THE PRIMER APPROX. 2 IN (50 MM) BEYOND THE AREA TO RECEIVE THE HAND APPLIED WATERPROOFING
4. OVERBURDEN NOT SHOWN FOR CLARITY
5. REFER TO INDIVIDUAL PRODUCT DATA SHEETS FOR ADDITIONAL INSTALLATION INSTRUCTIONS

**POLYGLASS**



**polyglass.us**

1111 West Newport Center Drive  
Deerfield Beach, FL 33442  
Technical Service: (866) 794-9659  
technical@polyglass.com

**Description:**

**CRACK TREATMENT  
TECNOCOAT HAND APPLIED SYSTEMS**

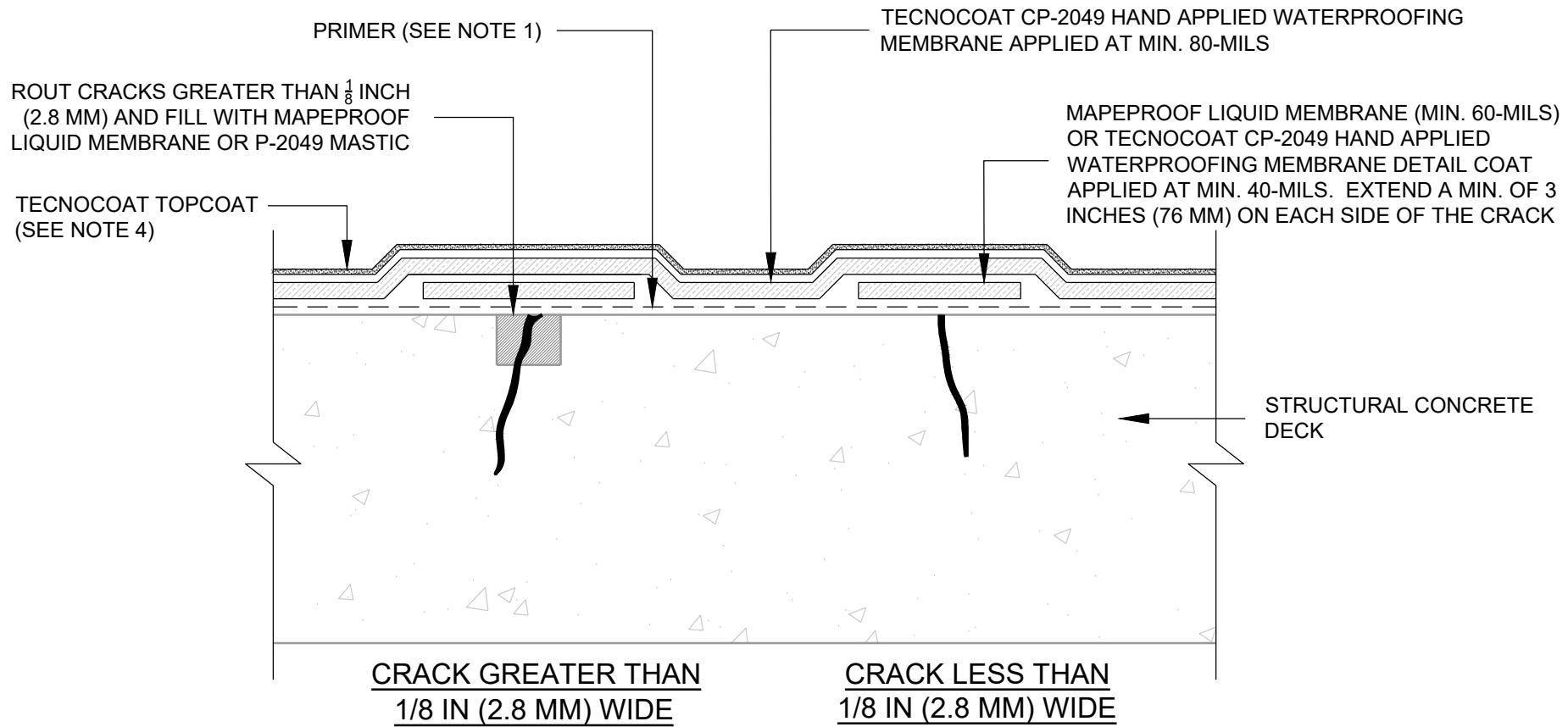
DETAILS ARE INTENDED TO BE A GUIDE FOR WATERPROOFING INSTALLATION ONLY

**Supersedes:** NEW

**Date:** 01/16/2025

**Drawing Number:**  
TECH-CRACK TREATMENT

DRAWING NOT TO SCALE



**NOTES:**

1. APPLICABLE PRIMERS FOR CONCRETE SUBSTRATES INCLUDE, EP-1010, EP-1020, PRIMER WET, PU-1050, AND PUc-1050
2. FOR CRACKS LESS THAN 1/8 INCH (2.8 MM) WIDE, REMOVE EXCESS PRIMER FROM CRACK AND FILL CRACK WITH TECNOCOAT CP-2049
3. DO NOT EXTEND THE TECNOCOAT HAND APPLIED WATERPROOFING ABOVE/BEYOND PRIMED SURFACES - EXTEND THE PRIMER APPROX. 2 IN (50 MM) BEYOND THE AREA TO RECEIVE THE HAND APPLIED WATERPROOFING
4. CHOOSE APPLICABLE TECNOTOP TOPCOAT PER PROJECT REQUIREMENTS, REFER TO INDIVIDUAL DATA SHEETS FOR APPLICATION INSTRUCTIONS AND APPROPRIATE MIL THICKNESS
5. REFER TO INDIVIDUAL PRODUCT DATA SHEETS FOR ADDITIONAL INSTALLATION INSTRUCTIONS

**POLYGLASS**  
 MAPEI GROUP  
 polyglass.us  
 1111 West Newport Center Drive  
 Deerfield Beach, FL 33442  
 Technical Service: (866) 794-9659  
 technical@polyglass.com

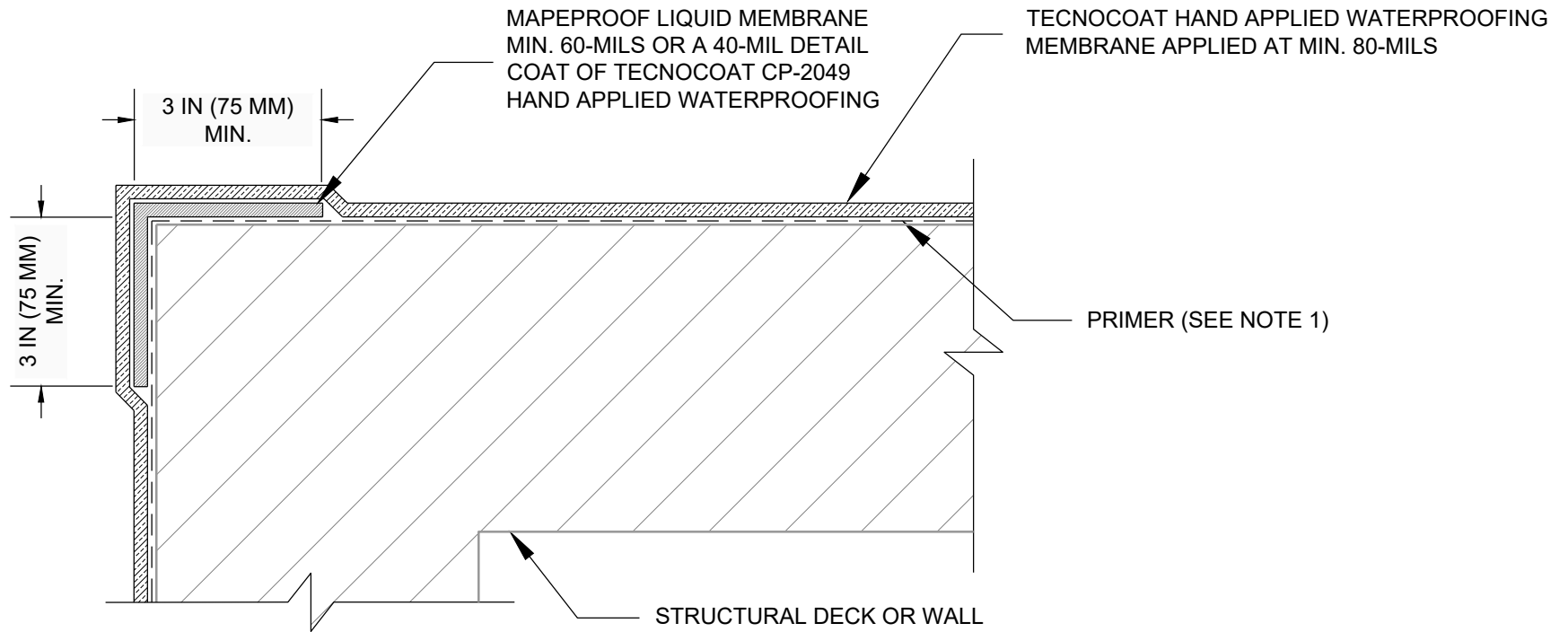
**Description:**

**CRACK TREATMENT WITH TOPCOAT  
 TECNOCOAT HAND APPLIED SYSTEMS**

*DETAILS ARE INTENDED TO BE A GUIDE FOR WATERPROOFING INSTALLATION ONLY*

<b>Supersedes:</b>	NEW
<b>Date:</b>	01/16/2025
<b>Drawing Number:</b>	TECH-CRACK TREATMENT WITH TOPCOAT

*DRAWING NOT TO SCALE*



**NOTES:**

1. APPLICABLE PRIMERS FOR CONCRETE SUBSTRATES INCLUDE, EP-1010, EP-1020, PRIMER WET, PU-1050, AND PUc-1050
2. DO NOT EXTEND THE TECNOCOAT HAND APPLIED WATERPROOFING ABOVE/BEYOND PRIMED SURFACES - EXTEND THE PRIMER APPROX. 2 IN (50 MM) BEYOND THE AREA TO RECEIVE THE HAND APPLIED WATERPROOFING
3. OVERBURDEN NOT SHOWN FOR CLARITY
4. REFER TO INDIVIDUAL PRODUCT DATA SHEETS FOR ADDITIONAL INSTALLATION INSTRUCTIONS

**POLYGLASS**



**polyglass.us**

1111 West Newport Center Drive  
Deerfield Beach, FL 33442  
Technical Service: (866) 794-9659  
technical@polyglass.com

**Description:**

**OUTSIDE CORNER  
TECNOCOAT HAND APPLIED SYSTEMS**

DETAILS ARE INTENDED TO BE A GUIDE FOR WATERPROOFING INSTALLATION ONLY

**Supersedes:**

NEW

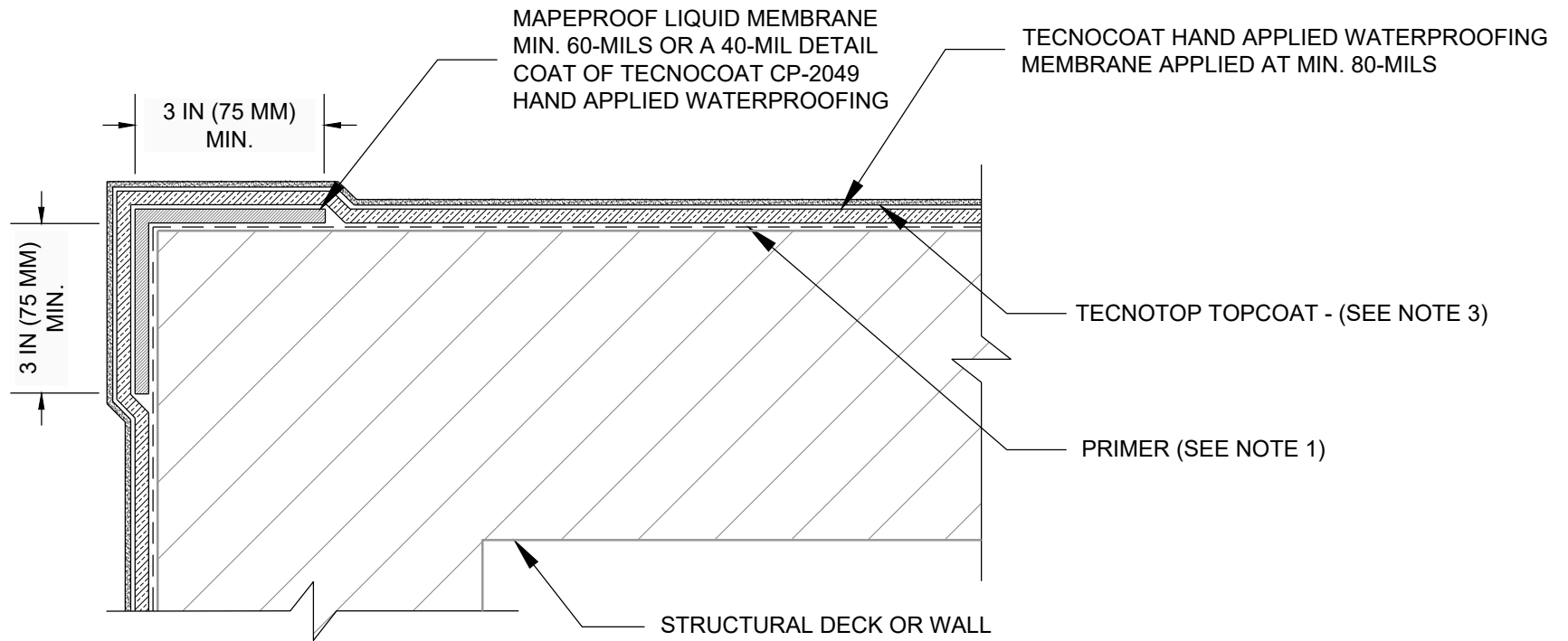
**Date:**

01/16/2025

**Drawing Number:**

TECH-OUTSIDE CORNER

DRAWING NOT TO SCALE



**NOTES:**

1. APPLICABLE PRIMERS FOR CONCRETE SUBSTRATES INCLUDE, EP-1010, EP-1020, PRIMER WET, PU-1050, AND PUc-1050
2. DO NOT EXTEND THE TECNOCOAT HAND APPLIED WATERPROOFING ABOVE/BEYOND PRIMED SURFACES - EXTEND THE PRIMER APPROX. 2 IN (50 MM) BEYOND THE AREA TO RECEIVE THE HAND APPLIED WATERPROOFING
3. CHOOSE APPLICABLE TECNOTOP TOPCOAT PER PROJECT REQUIREMENTS, REFER TO INDIVIDUAL DATA SHEETS FOR APPLICATION INSTRUCTIONS AND APPROPRIATE MIL THICKNESS
4. REFER TO INDIVIDUAL PRODUCT DATA SHEETS FOR ADDITIONAL INSTALLATION INSTRUCTIONS

**POLYGLASS**



**polyglass.us**

1111 West Newport Center Drive  
Deerfield Beach, FL 33442  
Technical Service: (866) 794-9659  
technical@polyglass.com

**Description:**

**OUTSIDE CORNER WITH TOPCOAT**  
TECNOCOAT HAND APPLIED SYSTEMS

DETAILS ARE INTENDED TO BE A GUIDE FOR WATERPROOFING INSTALLATION ONLY

**Supersedes:**

NEW

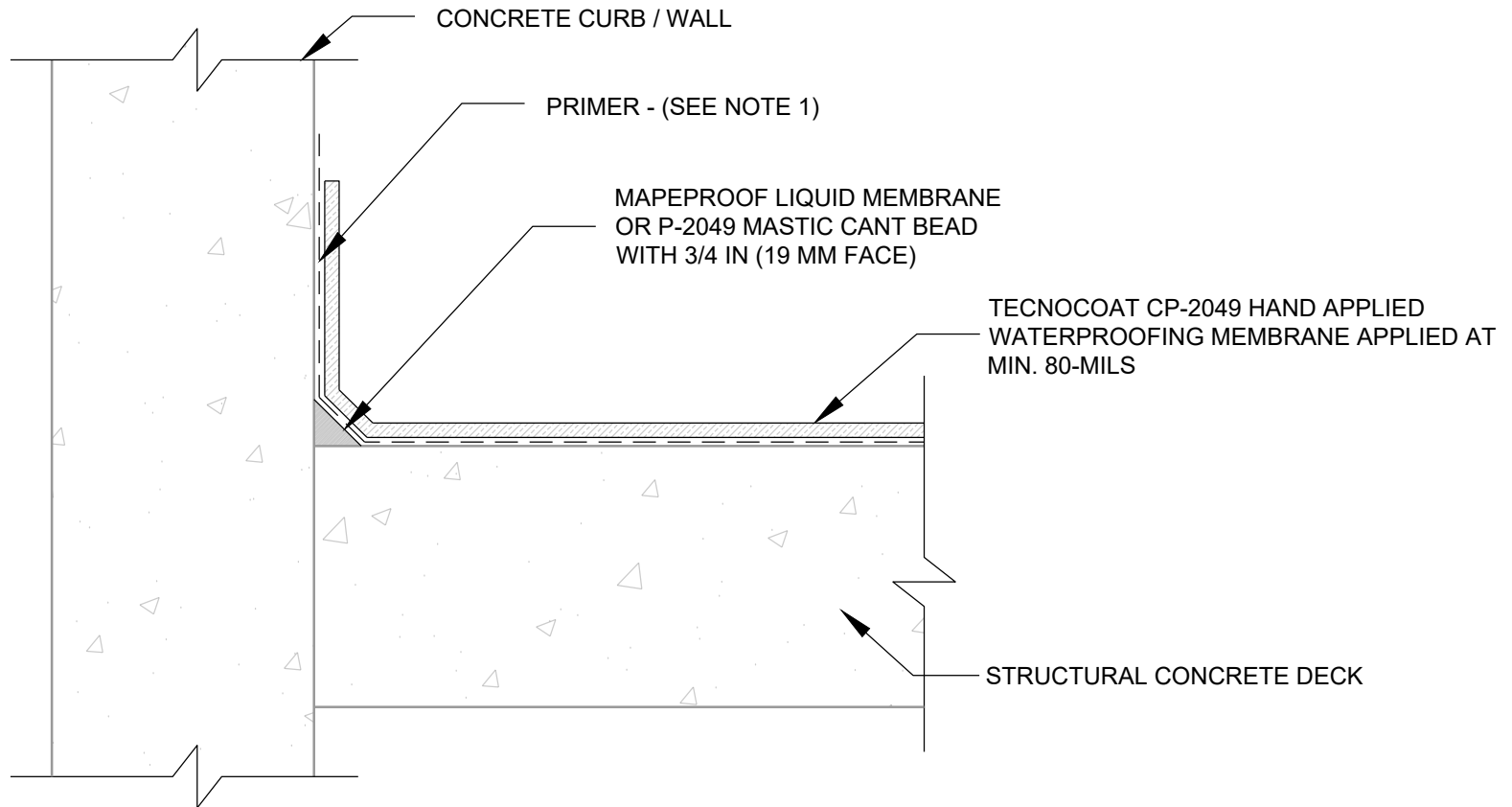
**Date:**

01/16/2025

**Drawing Number:**

TECH-OUTSIDE CORNER WITH  
TOPCOAT

DRAWING NOT TO SCALE



**NOTES:**

1. APPLICABLE PRIMERS FOR CONCRETE SUBSTRATES INCLUDE, EP-1010, EP-1020, PRIMER WET, PU-1050, AND PUc-1050
2. HEIGHT OF WATERPROOFING WILL BE DETERMINED BY THE HEIGHT OF THE OVERBURDEN PER PROJECT SPECIFIC REQUIREMENTS
3. DO NOT EXTEND THE TECNOCOAT HAND APPLIED WATERPROOFING ABOVE/BEYOND PRIMED SURFACES - EXTEND THE PRIMER APPROX. 2 IN (50 MM) BEYOND THE AREA TO RECEIVE THE HAND APPLIED WATERPROOFING
4. REFER TO INDIVIDUAL PRODUCT DATA SHEETS FOR ADDITIONAL INSTALLATION INSTRUCTIONS

**POLYGLASS**



**polyglass.us**

1111 West Newport Center Drive  
Deerfield Beach, FL 33442  
Technical Service: (866) 794-9659  
technical@polyglass.com

**Description:**

**FLASHING AT DECK TO CURB/WALL**  
**TECNOCOAT HAND APPLIED SYSTEMS**

DETAILS ARE INTENDED TO BE A GUIDE FOR WATERPROOFING INSTALLATION ONLY

**Supersedes:**

NEW

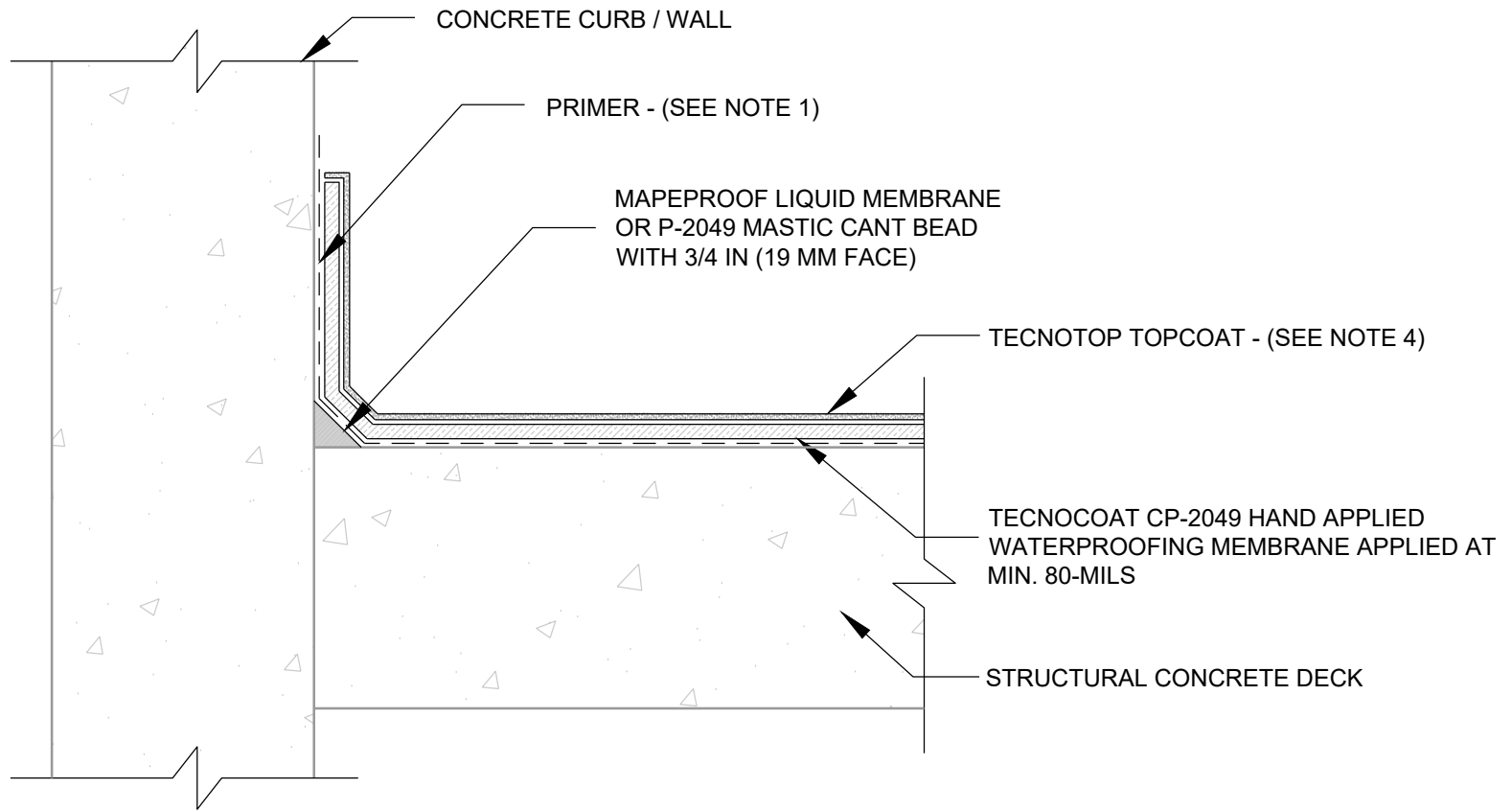
**Date:**

01/16/2025

**Drawing Number:**

TECH-FLASHING AT DECK TO CURB/  
WALL

DRAWING NOT TO SCALE



**NOTES:**

1. APPLICABLE PRIMERS FOR CONCRETE SUBSTRATES INCLUDE, EP-1010, EP-1020, PRIMER WET, PU-1050, AND PUc-1050
2. HEIGHT OF WATERPROOFING WILL BE DETERMINED PER PROJECT SPECIFIC REQUIREMENTS
3. DO NOT EXTEND THE TECNOCOAT HAND APPLIED WATERPROOFING ABOVE/BEYOND PRIMED SURFACES - EXTEND THE PRIMER APPROX. 2 IN (50 MM) BEYOND THE AREA TO RECEIVE THE HAND APPLIED WATERPROOFING
4. CHOOSE APPLICABLE TECNOTOP TOPCOAT PER PROJECT REQUIREMENTS, REFER TO INDIVIDUAL DATA SHEETS FOR APPLICATION INSTRUCTIONS AND APPROPRIATE MIL THICKNESS
5. REFER TO INDIVIDUAL PRODUCT DATA SHEETS FOR ADDITIONAL INSTALLATION INSTRUCTIONS

**POLYGLASS**



**polyglass.us**

1111 West Newport Center Drive  
Deerfield Beach, FL 33442  
Technical Service: (866) 794-9659  
technical@polyglass.com

**Description:**

**FLASHING AT DECK TO CURB/WALL  
WITH TOPCOAT  
TECNOCOAT HAND APPLIED SYSTEMS**

DETAILS ARE INTENDED TO BE A GUIDE FOR WATERPROOFING INSTALLATION ONLY

**Supersedes:**

NEW

**Date:**

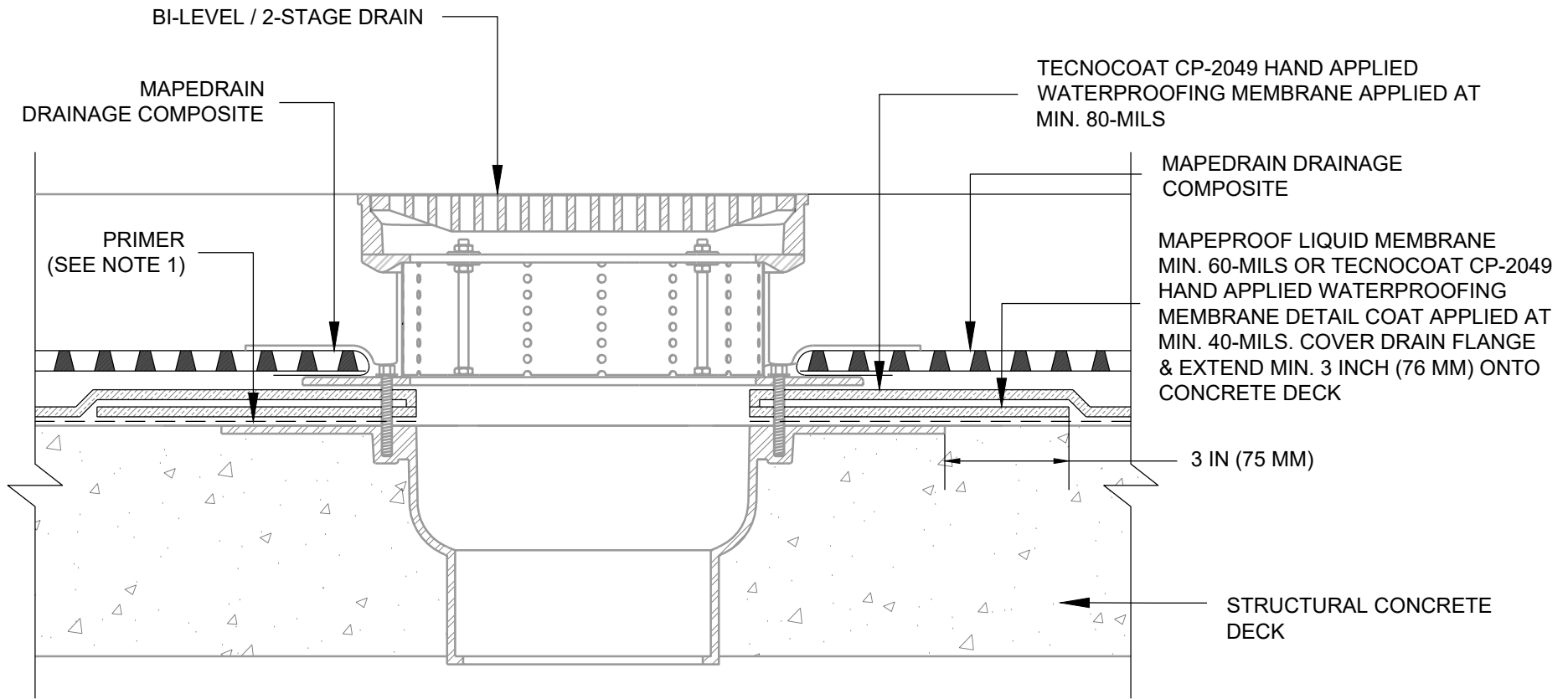
01/16/2025

**Drawing Number:**

TECH-FLASHING AT DECK TO  
CURB/WALL WITH TOPCOAT

DRAWING NOT TO SCALE





**NOTES:**

1. APPLICABLE PRIMERS FOR CONCRETE SUBSTRATES INCLUDE, EP-1010, EP-1020, PRIMER WET, PU-1050, AND PUc-1050
2. DO NOT EXTEND THE TECNOCOAT HAND APPLIED WATERPROOFING ABOVE/BEYOND PRIMED SURFACES - EXTEND THE PRIMER APPROX. 2 IN (50 MM) BEYOND THE AREA TO RECEIVE THE HAND APPLIED WATERPROOFING
3. OVERBURDEN WILL BE DETERMINED BY PROJECT SPECIFIC REQUIREMENTS AND MAY DIFFER FROM WHAT IS SHOWN ABOVE
4. REFER TO INDIVIDUAL PRODUCT DATA SHEETS FOR ADDITIONAL INSTALLATION INSTRUCTIONS

**POLYGLASS**



**polyglass.us**

1111 West Newport Center Drive  
Deerfield Beach, FL 33442  
Technical Service: (866) 794-9659  
technical@polyglass.com

**Description:**

**BI-LEVEL DRAIN**  
**TECNOCOAT HAND APPLIED SYSTEMS**

DETAILS ARE INTENDED TO BE A GUIDE FOR WATERPROOFING INSTALLATION ONLY

**Supersedes:**

NEW

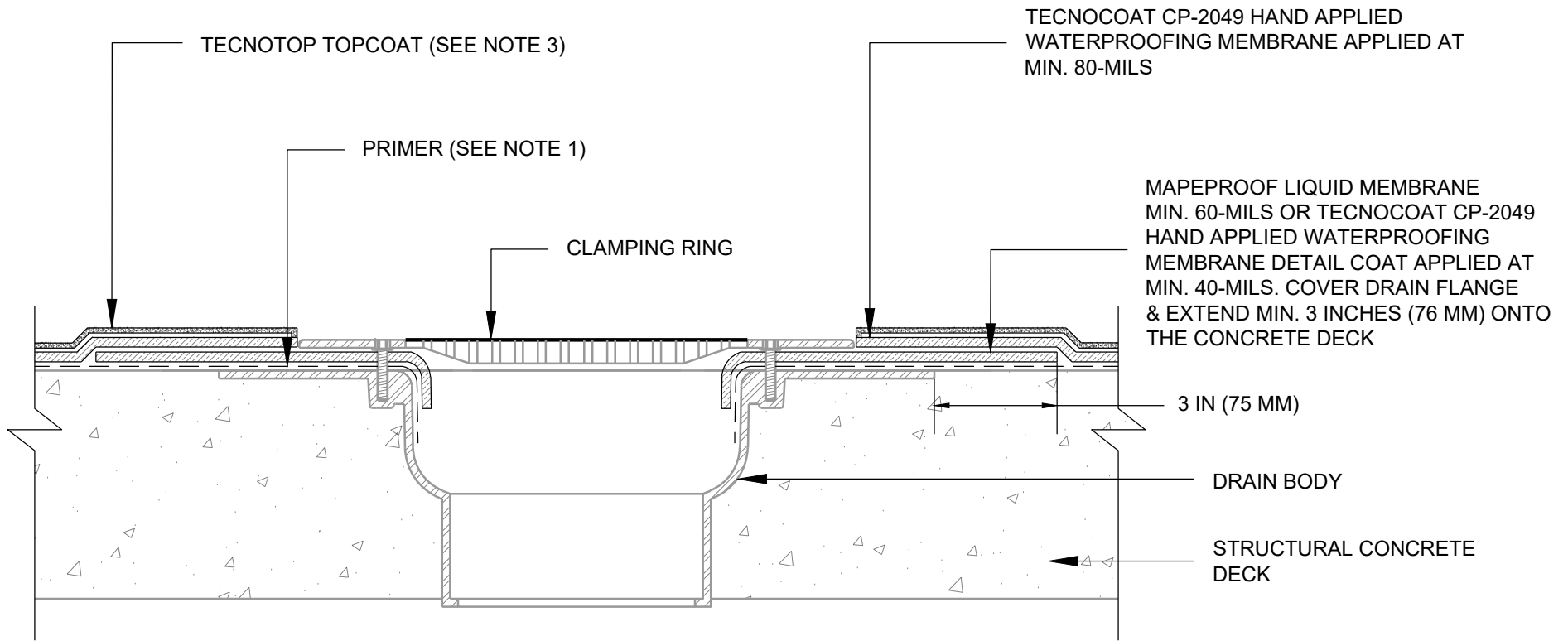
**Date:**

01/16/2025

**Drawing Number:**

TEHS-BI-LEVEL DRAIN

DRAWING NOT TO SCALE



**NOTES:**

1. APPLICABLE PRIMERS FOR CONCRETE SUBSTRATES INCLUDE, EP-1010, EP-1020, PRIMER WET, PU-1050, AND PUc-1050
2. DO NOT EXTEND THE TECOCOAT HAND APPLIED WATERPROOFING ABOVE/BEYOND PRIMED SURFACES - EXTEND THE PRIMER APPROX. 2 IN (50 MM) BEYOND THE AREA TO RECEIVE THE HAND APPLIED WATERPROOFING
3. CHOOSE APPLICABLE TECNOTOP TOPCOAT PER PROJECT REQUIREMENTS, REFER TO INDIVIDUAL DATA SHEETS FOR APPLICATION INSTRUCTIONS AND APPROPRIATE MIL THICKNESS
4. REFER TO INDIVIDUAL PRODUCT DATA SHEETS FOR ADDITIONAL INSTALLATION INSTRUCTIONS

**POLYGLASS**



**polyglass.us**

1111 West Newport Center Drive  
Deerfield Beach, FL 33442  
Technical Service: (866) 794-9659  
technical@polyglass.com

**Description:**

**SURFACE DRAIN WITH TOPCOAT**  
**TECOCOAT HAND APPLIED SYSTEMS**

DETAILS ARE INTENDED TO BE A GUIDE FOR WATERPROOFING INSTALLATION ONLY

**Supersedes:**

NEW

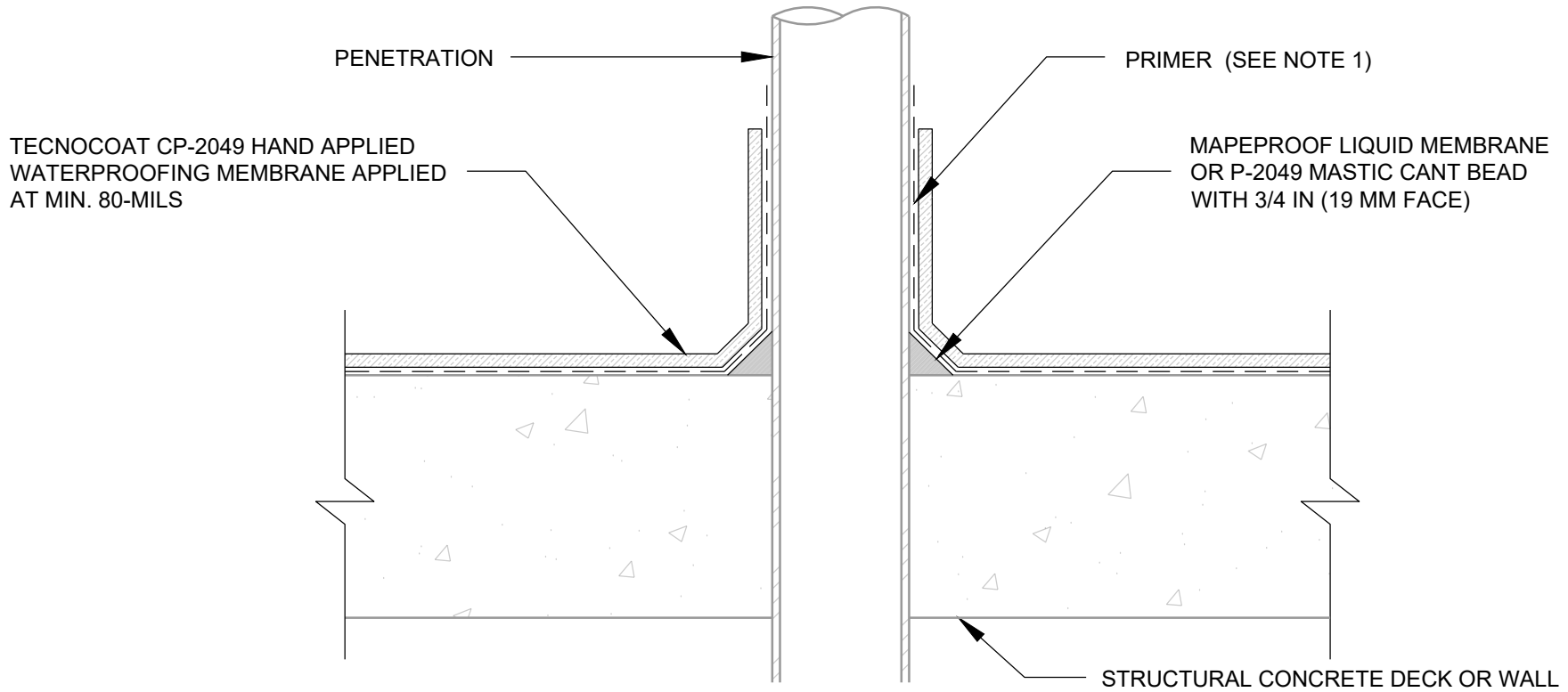
**Date:**

01/16/2025

**Drawing Number:**

TECH-SURFACE DRAIN WITH  
TOPCOAT

DRAWING NOT TO SCALE



**NOTES:**

1. APPLICABLE PRIMERS FOR CONCRETE SUBSTRATES INCLUDE, EP-1010, EP-1020, PRIMER WET, PU-1050, AND PUc-1050
2. HEIGHT OF WATERPROOFING WILL BE DETERMINED BY THE HEIGHT OF THE OVERBURDEN PER PROJECT SPECIFIC REQUIREMENTS
3. DO NOT EXTEND THE TECNOCOAT HAND APPLIED WATERPROOFING ABOVE/BEYOND PRIMED SURFACES - EXTEND THE PRIMER APPROX. 2 IN (50 MM) BEYOND THE AREA TO RECEIVE THE HAND APPLIED WATERPROOFING
4. OVERBURDEN NOT SHOWN FOR CLARITY
5. REFER TO INDIVIDUAL PRODUCT DATA SHEETS FOR ADDITIONAL INSTALLATION INSTRUCTIONS

**POLYGLASS**



**polyglass.us**

1111 West Newport Center Drive  
 Deerfield Beach, FL 33442  
 Technical Service: (866) 794-9659  
 technical@polyglass.com

**Description:**

**PENETRATION  
 DECK OR WALL  
 TECNOCOAT HAND APPLIED SYSTEMS**

DETAILS ARE INTENDED TO BE A GUIDE FOR WATERPROOFING INSTALLATION ONLY

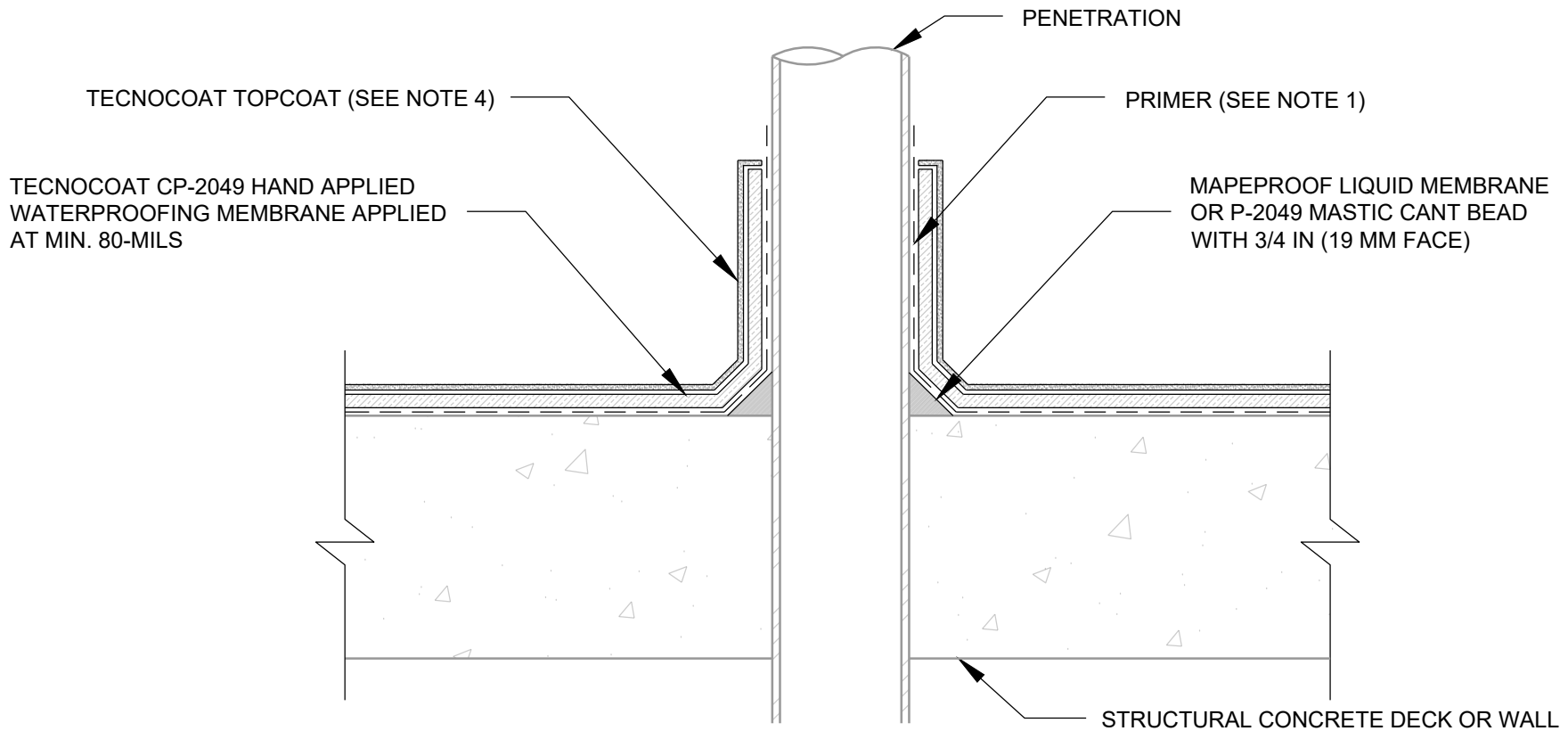
**Supersedes:** NEW

**Date:** 01/16/2025

**Drawing Number:**

TECH-PENETRATION DECK OR WALL

DRAWING NOT TO SCALE



**NOTES:**

1. APPLICABLE PRIMERS FOR CONCRETE SUBSTRATES INCLUDE, EP-1010, EP-1020, PRIMER WET, PU-1050, AND PUc-1050
2. HEIGHT OF WATERPROOFING WILL BE DETERMINED PER PROJECT SPECIFIC REQUIREMENTS
3. DO NOT EXTEND THE TECNOCOAT HAND APPLIED WATERPROOFING ABOVE/BEYOND PRIMED SURFACES - EXTEND THE PRIMER APPROX. 2 IN (50 MM) BEYOND THE AREA TO RECEIVE THE HAND APPLIED WATERPROOFING
4. CHOOSE APPLICABLE TECNOTOP TOPCOAT PER PROJECT REQUIREMENTS, REFER TO INDIVIDUAL DATA SHEETS FOR APPLICATION INSTRUCTIONS AND APPROPRIATE MIL THICKNESS
5. REFER TO INDIVIDUAL PRODUCT DATA SHEETS FOR ADDITIONAL INSTALLATION INSTRUCTIONS

**POLYGLASS**



**polyglass.us**

1111 West Newport Center Drive  
Deerfield Beach, FL 33442  
Technical Service: (866) 794-9659  
technical@polyglass.com

**Description:**

**PENETRATION WITH TOPCOAT  
DECK OR WALL  
TECNOCOAT HAND APPLIED SYSTEMS**

DETAILS ARE INTENDED TO BE A GUIDE FOR WATERPROOFING INSTALLATION ONLY

**Supersedes:**

NEW

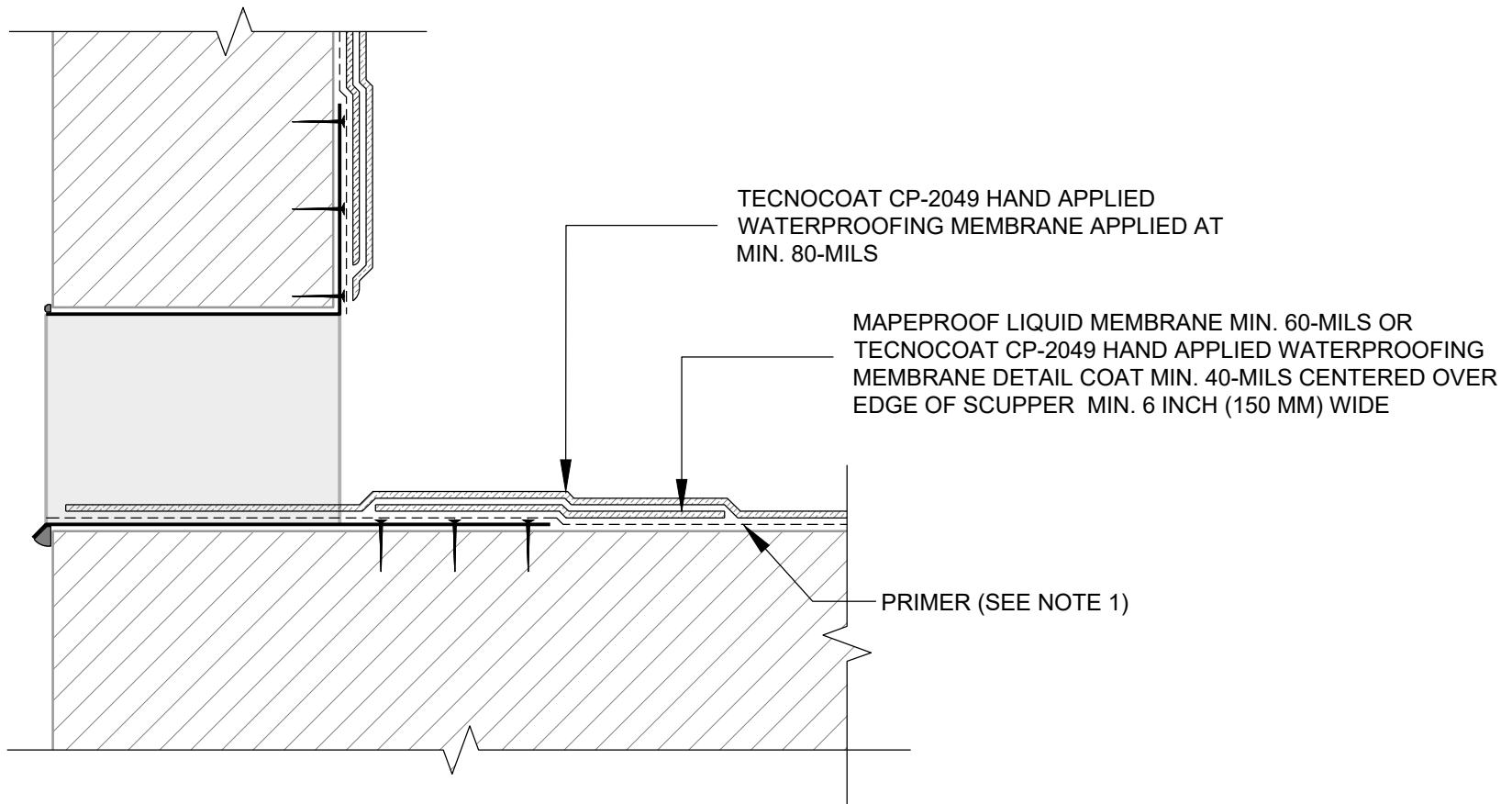
**Date:**

01/16/2025

**Drawing Number:**

TECH-PENETRATION WITH TOPCOAT  
DECK OR WALL

DRAWING NOT TO SCALE



**NOTES:**

1. APPLICABLE PRIMERS FOR CONCRETE SUBSTRATES INCLUDE, EP-1010, EP-1020, PRIMER WET, PU-1050, AND PUc-1050
2. DO NOT EXTEND THE TECNOCOAT HAND APPLIED WATERPROOFING ABOVE/BEYOND PRIMED SURFACES - EXTEND THE PRIMER APPROX. 2 IN (50 MM) BEYOND THE AREA TO RECEIVE THE HAND APPLIED WATERPROOFING
3. OVERBURDEN NOT SHOWN FOR CLARITY
4. REFER TO INDIVIDUAL PRODUCT DATA SHEETS FOR ADDITIONAL INSTALLATION INSTRUCTIONS

**POLYGLASS**



**polyglass.us**

1111 West Newport Center Drive  
Deerfield Beach, FL 33442  
Technical Service: (866) 794-9659  
technical@polyglass.com

**Description:**

**SCUPPER**  
**TECNOCOAT HAND APPLIED SYSTEMS**

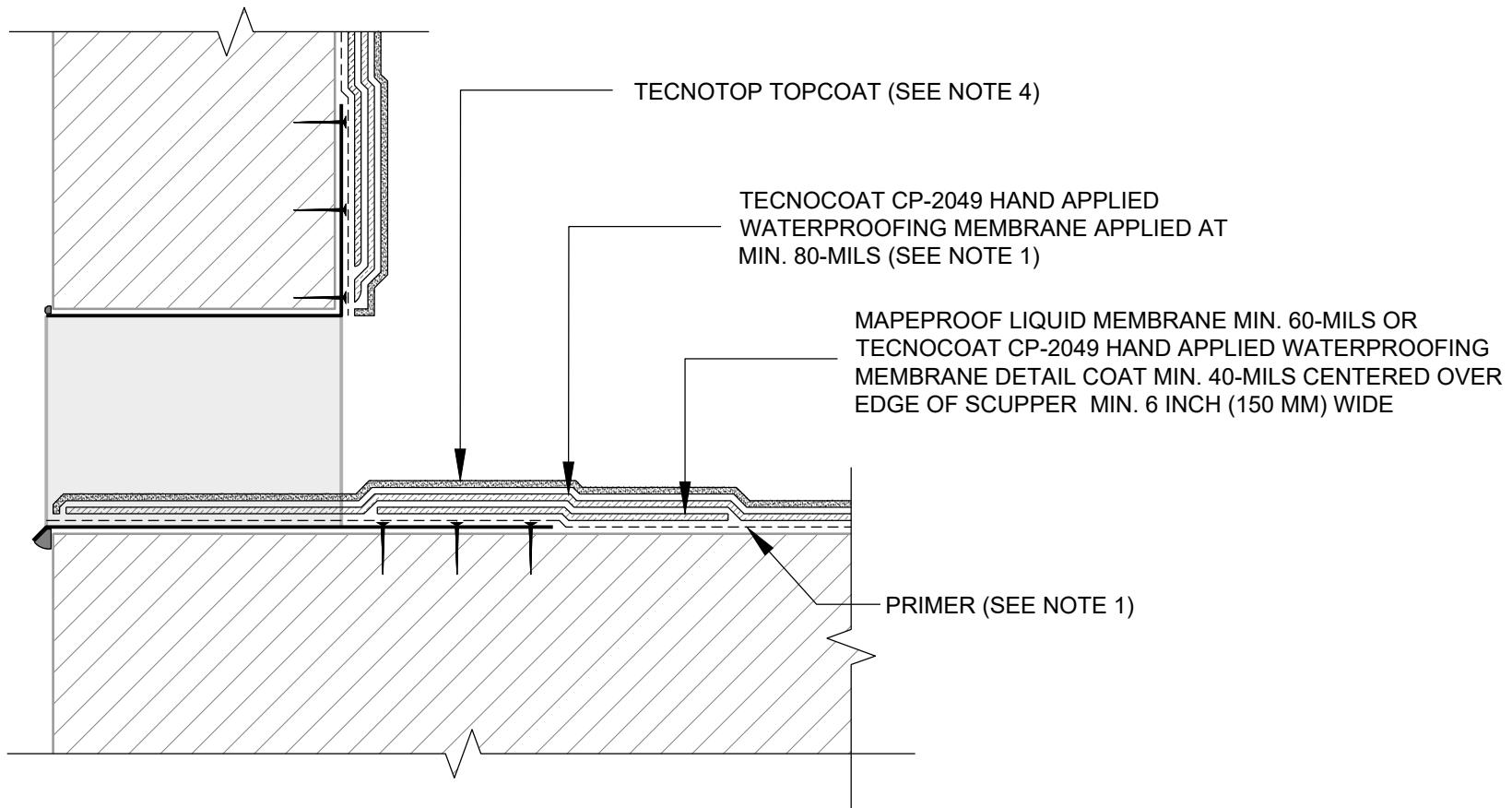
DETAILS ARE INTENDED TO BE A GUIDE FOR WATERPROOFING INSTALLATION ONLY

**Supersedes:** NEW

**Date:** 01/16/25

**Drawing Number:**  
TECH-SCUPPER

DRAWING NOT TO SCALE



**NOTES:**

1. APPLICABLE PRIMERS FOR CONCRETE SUBSTRATES INCLUDE, EP-1010, EP-1020, PRIMER WET, PU-1050, AND PUC-1050
2. DO NOT EXTEND THE TECNOCOAT HAND APPLIED WATERPROOFING ABOVE/BEYOND PRIMED SURFACES - EXTEND THE PRIMER APPROX. 2 IN (50 MM) BEYOND THE AREA TO RECEIVE THE HAND APPLIED WATERPROOFING
3. OVERBURDEN NOT SHOWN FOR CLARITY
4. CHOOSE APPLICABLE TECNOTOP TOPCOAT PER PROJECT REQUIREMENTS, REFER TO INDIVIDUAL DATA SHEETS FOR APPLICATION INSTRUCTIONS AND APPROPRIATE MIL THICKNESS
5. REFER TO INDIVIDUAL PRODUCT DATA SHEETS FOR ADDITIONAL INSTALLATION INSTRUCTIONS

**POLYGLASS**



**polyglass.us**

1111 West Newport Center Drive  
Deerfield Beach, FL 33442  
Technical Service: (866) 794-9659  
technical@polyglass.com

**Description:**

**SCUPPER WITH TOPCOAT  
TECNOCOAT HAND APPLIED SYSTEMS**

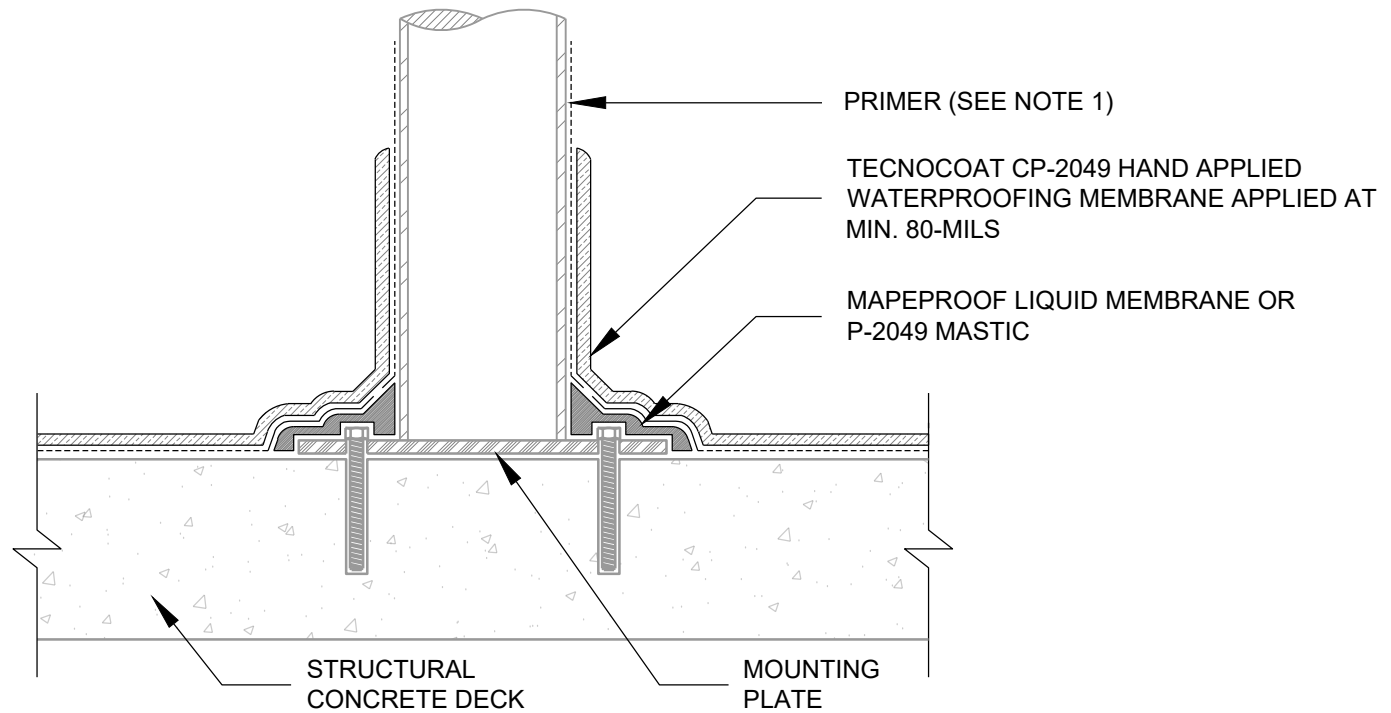
DETAILS ARE INTENDED TO BE A GUIDE FOR WATERPROOFING INSTALLATION ONLY

**Supersedes:** NEW

**Date:** 01/16/25

**Drawing Number:**  
TECH-SCUPPER WITH TOPCOAT

DRAWING NOT TO SCALE



**NOTES:**

1. APPLICABLE PRIMERS FOR CONCRETE SUBSTRATES INCLUDE, EP-1010, EP-1020, PRIMER WET, PU-1050, AND PUc-1050
2. HEIGHT OF WATERPROOFING WILL BE DETERMINED PER PROJECT SPECIFIC REQUIREMENTS
3. DO NOT EXTEND THE TECNOCOAT HAND APPLIED WATERPROOFING ABOVE/BEYOND PRIMED SURFACES - EXTEND THE PRIMER APPROX. 2 IN (50 MM) BEYOND THE AREA TO RECEIVE THE HAND APPLIED WATERPROOFING
4. OVERBURDEN NOT SHOWN FOR CLARITY
5. REFER TO INDIVIDUAL PRODUCT DATA SHEETS FOR ADDITIONAL INSTALLATION INSTRUCTIONS

**POLYGLASS**



**polyglass.us**

1111 West Newport Center Drive  
Deerfield Beach, FL 33442  
Technical Service: (866) 794-9659  
technical@polyglass.com

**Description:**

**MOUNTING PLATE**  
**TECNOCOAT HAND APPLIED SYSTEMS**

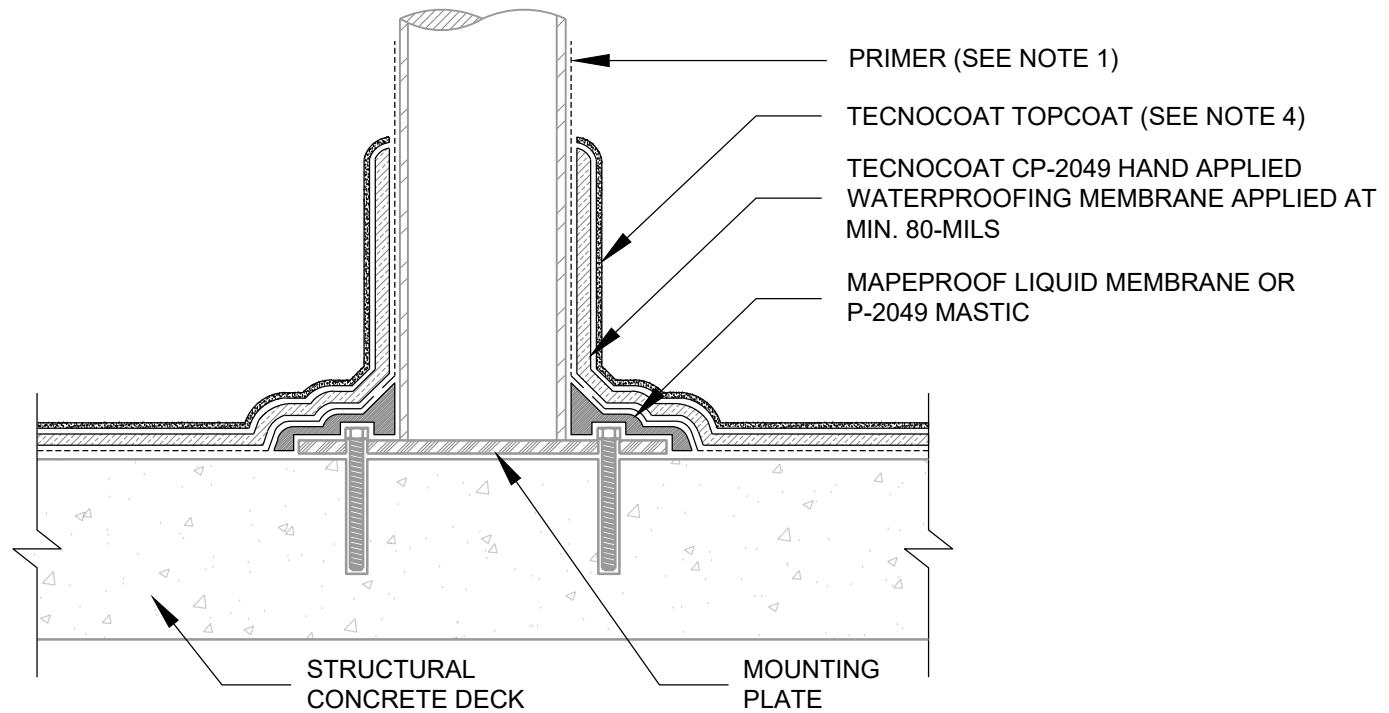
*DETAILS ARE INTENDED TO BE A GUIDE FOR WATERPROOFING INSTALLATION ONLY*

**Supersedes:** NEW

**Date:** 01/16/25

**Drawing Number:**  
TECH-MOUNTING PLATE

*DRAWING NOT TO SCALE*



**NOTES:**

1. APPLICABLE PRIMERS FOR CONCRETE SUBSTRATES INCLUDE, EP-1010, EP-1020, PRIMER WET, PU-1050, AND PUc-1050
2. HEIGHT OF WATERPROOFING WILL BE DETERMINED PER PROJECT SPECIFIC REQUIREMENTS
3. DO NOT EXTEND THE TECNOCOAT HAND APPLIED WATERPROOFING ABOVE/BEYOND PRIMED SURFACES - EXTEND THE PRIMER APPROX. 2 IN (50 MM) BEYOND THE AREA TO RECEIVE THE HAND APPLIED WATERPROOFING
4. CHOOSE APPLICABLE TECNOTOP TOPCOAT PER PROJECT REQUIREMENTS, REFER TO INDIVIDUAL DATA SHEETS FOR APPLICATION INSTRUCTIONS AND APPROPRIATE MIL THICKNESS
5. REFER TO INDIVIDUAL PRODUCT DATA SHEETS FOR ADDITIONAL INSTALLATION INSTRUCTIONS

**POLYGLASS**



**polyglass.us**

1111 West Newport Center Drive  
Deerfield Beach, FL 33442  
Technical Service: (866) 794-9659  
technical@polyglass.com

**Description:**

**MOUNTING PLATE  
WITH TOPCOAT  
TECNOCOAT HAND APPLIED SYSTEMS**

DETAILS ARE INTENDED TO BE A GUIDE FOR WATERPROOFING INSTALLATION ONLY

**Supersedes:** NEW

**Date:** 01/16/25

**Drawing Number:**  
TECH-MOUNTING PLATE WITH  
TOPCOAT

DRAWING NOT TO SCALE