

VERTIWRAP VPL DRAWING LIST

WINDOW DETAILS

MASONRY CLADDING

| | |
|-----------|---|
| VW-VPL-1A | SILL DETAIL MASONRY CLADDING (OPTION-1) |
| VW-VPL-1B | SILL DETAIL MASONRY CLADDING (OPTION-2) |
| VW-VPL-1C | JAMB DETAIL MASONRY CLADDING (OPTION-1) |
| VW-VPL-1D | JAMB DETAIL MASONRY CLADDING (OPTION-2) |
| VW-VPL-1E | HEAD DETAIL MASONRY CLADDING (OPTION-1) |
| VW-VPL-1F | HEAD DETAIL MASONRY CLADDING (OPTION-2) |

NON-MASONRY CLADDING

| | |
|-----------|---|
| VW-VPL-1G | SILL DETAIL NON-MASONRY CLADDING (OPTION-1) |
| VW-VPL-1H | SILL DETAIL NON-MASONRY CLADDING (OPTION-2) |
| VW-VPL-1I | JAMB DETAIL NON-MASONRY CLADDING (OPTION-1) |
| VW-VPL-1J | JAMB DETAIL NON-MASONRY CLADDING (OPTION-2) |
| VW-VPL-1K | HEAD DETAIL NON-MASONRY CLADDING (OPTION-1) |
| VW-VPL-1L | HEAD DETAIL NON-MASONRY CLADDING (OPTION-2) |

| | |
|-----------|---------------------------------------|
| VW-VPL-1M | SELF-ADHERED WINDOW FLASHING |
| VW-VPL-1N | VERTISEAL 50 FLASHING - ROUGH OPENING |
| VW-VPL-1O | VPL FLASHING OPTION - ROUGH OPENING |

FLOOR LINE DETAILS

| | |
|-----------|---|
| VW-VPL-2A | FLOOR LINE TRANSITION MASONRY CLADDING (OPTION-1) |
| VW-VPL-2B | FLOOR LINE TRANSITION MASONRY CLADDING (OPTION-2) |

CORNER DETAILS

| | |
|-----------|---------------------------|
| VW-VPL-3A | OUTSIDE CORNER (OPTION-1) |
| VW-VPL-3B | OUTSIDE CORNER (OPTION-2) |
| VW-VPL-3C | INSIDE CORNER (OPTION-1) |
| VW-VPL-3D | INSIDE CORNER (OPTION-2) |

JOINTS

| | |
|-----------|---------------------------|
| VW-VPL-4A | DEFLECTION JOINT |
| VW-VPL-4B | CONTROL JOINT |
| VW-VPL-4C | SHEATHING JOINT TREATMENT |
| VW-VPL-4D | EXPANSION JOINT |

PENETRATIONS

| | |
|-----------|-------------|
| VW-VPL-5A | PENETRATION |
|-----------|-------------|

PARAPET

| | |
|-----------|---------|
| VW-VPL-6A | PARAPET |
|-----------|---------|

TRANSITION TO WATERPROOFING

| | |
|-----------|--|
| VW-VPL-7A | BASE OF WALL TRANSITION TO MAPETHENE |
| VW-VPL-7B | BASE OF WALL TRANSITION TO MAPESEAL GC |
| VW-VPL-7C | DECK TO WALL TRANSITION TO MAPETHENE |
| VW-VPL-7D | DECK TO WALL TRANSITION TO MAPESEAL GC |
| VW-VPL-7E | AT GRADE TRANSITION TO MAPETHENE |
| VW-VPL-7F | AT GRADE TRANSITION TO MAPESEAL GC |



polyglass.us

1111 West Newport Center Drive
Deerfield Beach, FL 33442
Technical Service: (866) 794-9659
technical@polyglass.com

VERTIWRAP VPL

DETAIL DRAWING LIST

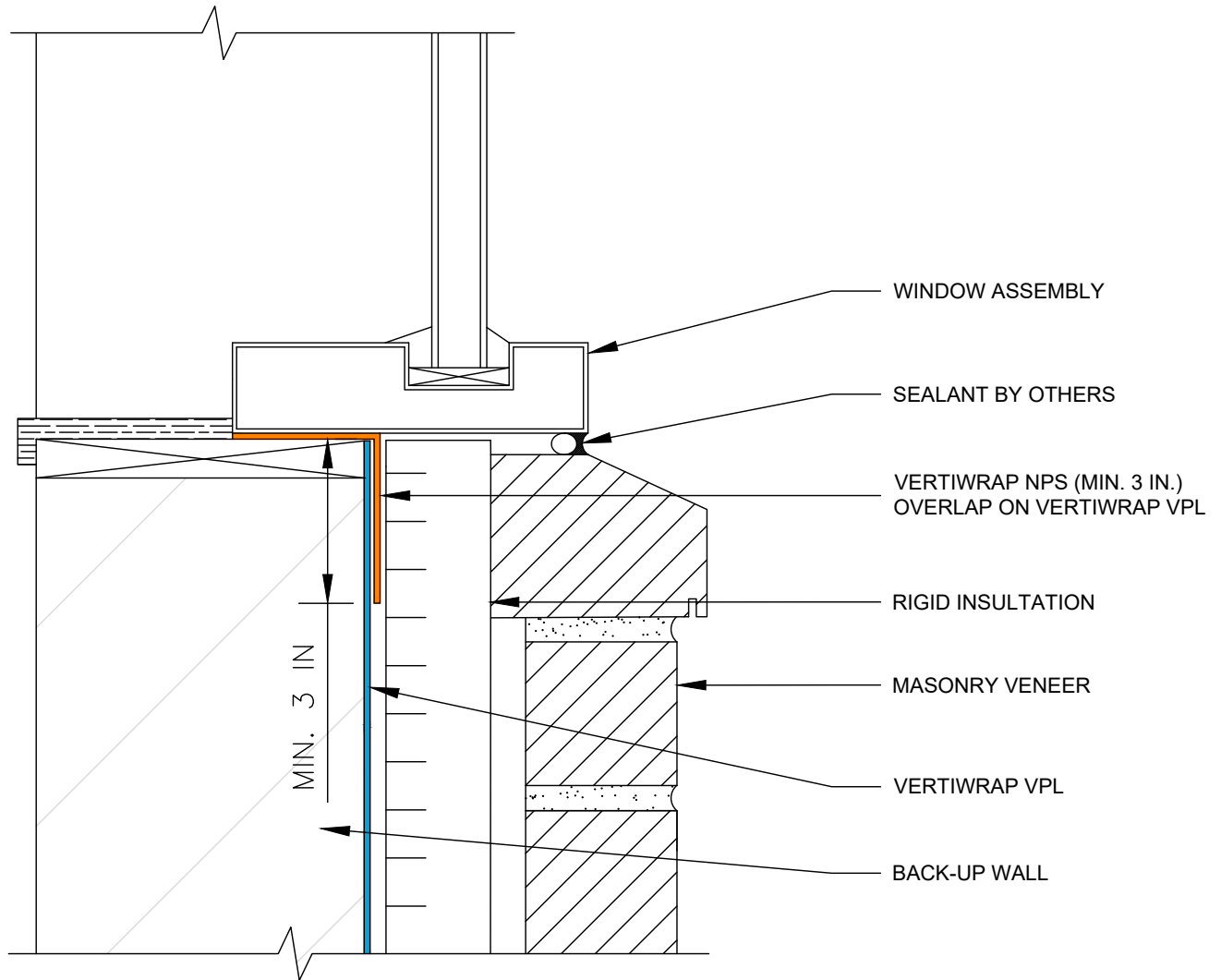
DETAIL IS INTENDED TO BE A GUIDE FOR AIR BARRIER INSTALLATION ONLY.

SUPERCEDES:
00/00/0000

DATE:
04/01/2023

SCALE:
NOT TO SCALE

DRAWING #:
VW-VPL-1



NOTES:

1. THIS WALL ASSEMBLY MAY NOT BE SUITABLE FOR ALL CLIMATES/REGIONS. CONSULT A BUILDING SCIENCE PROFESSIONAL FOR ASSISTANCE WITH EXTERIOR WALL DESIGNS
2. INSTALL THE VERTIWRAP SYSTEM TO FORM A CONTINUOUS AIR AND WATER BARRIER
3. VERTIWRAP NPS SHOULD EXTEND INTO THE WINDOW OPENING AT A DIMENSION PER THE PROJECT DESIGN
4. INSTALL PRODUCTS ACCORDING TO THEIR RESPECTIVE TECHNICAL DATA SHEETS AND APPLICATION INSTRUCTIONS

POLYGLASS



polyglass.us

1111 West Newport Center Drive
Deerfield Beach, FL 33442
Technical Service: (866) 794-9659
technical@polyglass.com

VERTIWRAP VPL

**WINDOW SILL
MASONRY CLADDING (OPTION-1)**

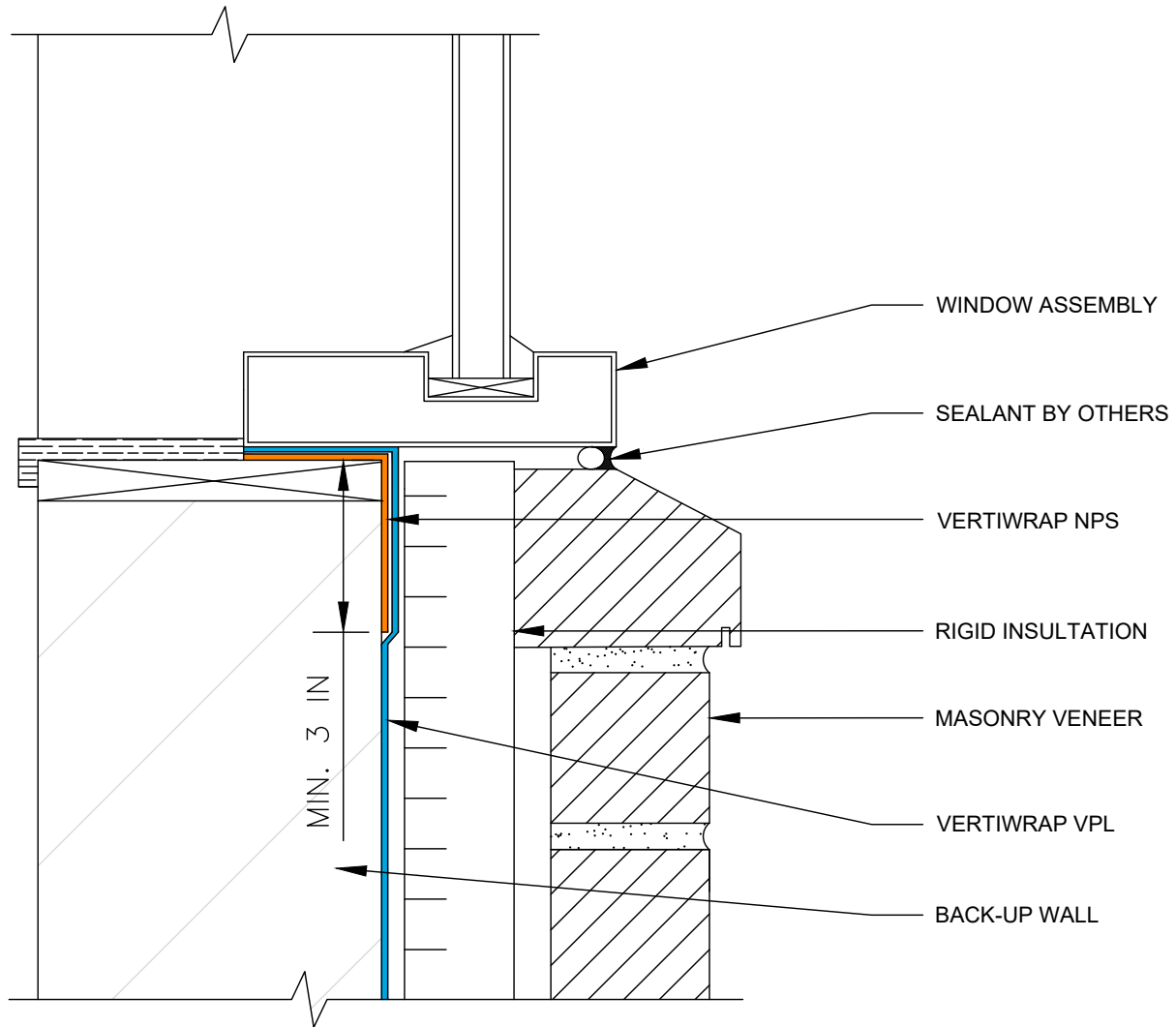
DETAIL IS INTENDED TO BE A GUIDE FOR AIR BARRIER INSTALLATION ONLY.

SUPERCEDES:
00/00/0000

DATE:
04/01/2023

SCALE:
NOT TO SCALE

DRAWING #:
VW-VPL-1A



NOTES:

1. THIS WALL ASSEMBLY MAY NOT BE SUITABLE FOR ALL CLIMATES/REGIONS. CONSULT A BUILDING SCIENCE PROFESSIONAL FOR ASSISTANCE WITH EXTERIOR WALL DESIGNS
2. INSTALL THE VERTIWRAP SYSTEM TO FORM A CONTINUOUS AIR AND WATER BARRIER
3. VERTIWRAP NPS SHOULD EXTEND INTO THE WINDOW OPENING AT A DIMENSION PER THE PROJECT DESIGN
4. INSTALL PRODUCTS ACCORDING TO THEIR RESPECTIVE TECHNICAL DATA SHEETS AND APPLICATION INSTRUCTIONS

POLYGLASS



polyglass.us

1111 West Newport Center Drive
Deerfield Beach, FL 33442
Technical Service: (866) 794-9659
technical@polyglass.com

VERTIWRAP VPL

**WINDOW SILL
MASONRY CLADDING (OPTION-2)**

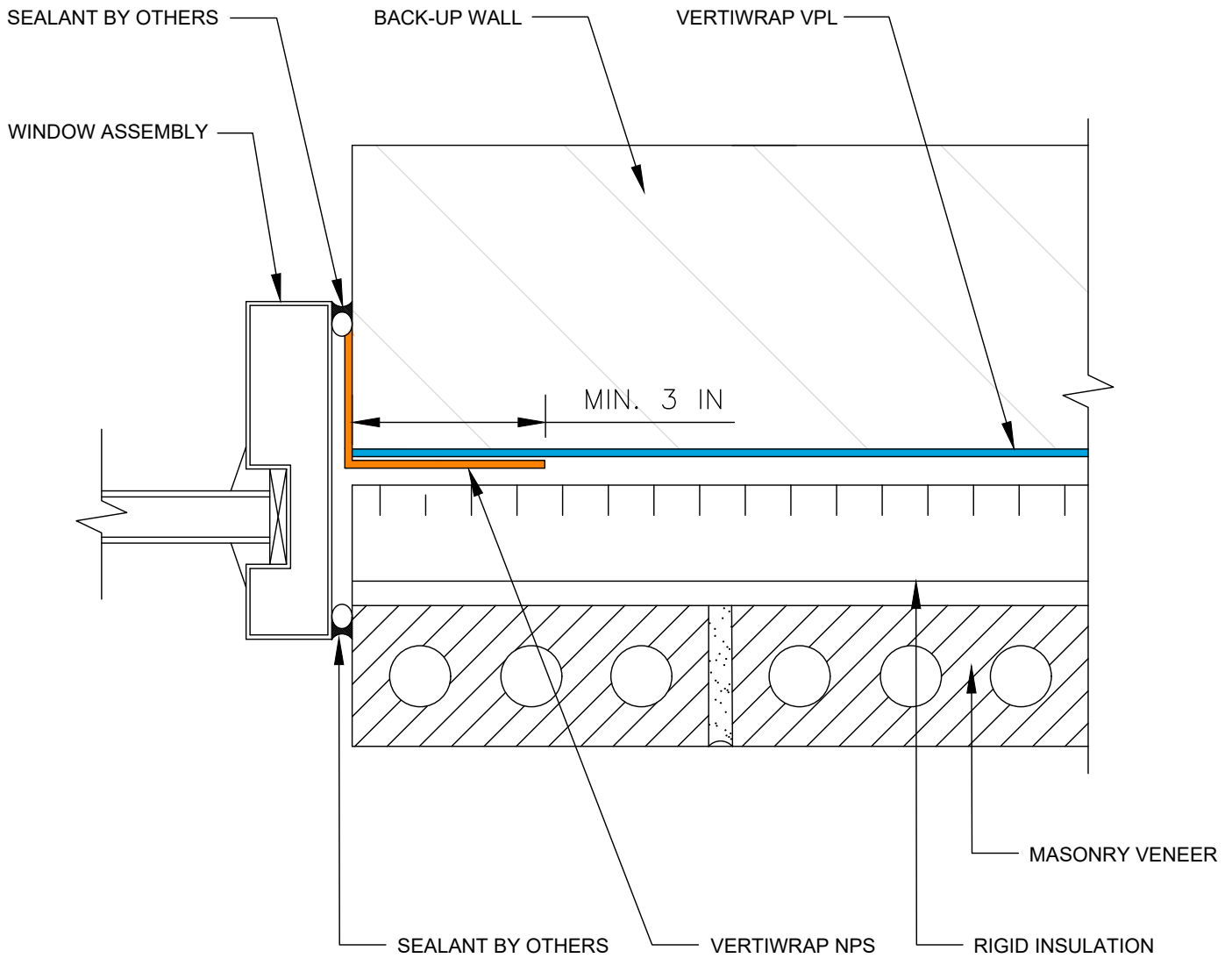
DETAIL IS INTENDED TO BE A GUIDE FOR AIR BARRIER INSTALLATION ONLY.

SUPERCEDES:
00/00/0000

DATE:
04/01/2023

SCALE:
NOT TO SCALE

DRAWING #:
VW-VPL-1B



NOTES:

1. THIS WALL ASSEMBLY MAY NOT BE SUITABLE FOR ALL CLIMATES/REGIONS. CONSULT A BUILDING SCIENCE PROFESSIONAL FOR ASSISTANCE WITH EXTERIOR WALL DESIGNS
2. INSTALL THE VERTIWRAP SYSTEM TO FORM A CONTINUOUS AIR AND WATER BARRIER
3. VERTIWRAP NPS SHOULD EXTEND INTO THE WINDOW OPENING AT A DIMENSION PER THE PROJECT DESIGN
4. VERTIWRAP NPS MAY BE OMITTED AT JAMB AND VERTIWRAP VPL CAN BE EXTENDED INTO THE ROUGH OPENING
5. INSTALL PRODUCTS ACCORDING TO THEIR RESPECTIVE TECHNICAL DATA SHEETS AND APPLICATION INSTRUCTIONS

POLYGLASS



polyglass.us

1111 West Newport Center Drive
 Deerfield Beach, FL 33442
 Technical Service: (866) 794-9659
 technical@polyglass.com

VERTIWRAP VPL

**WINDOW JAMB
 MASONRY CLADDING (OPTION-1)**

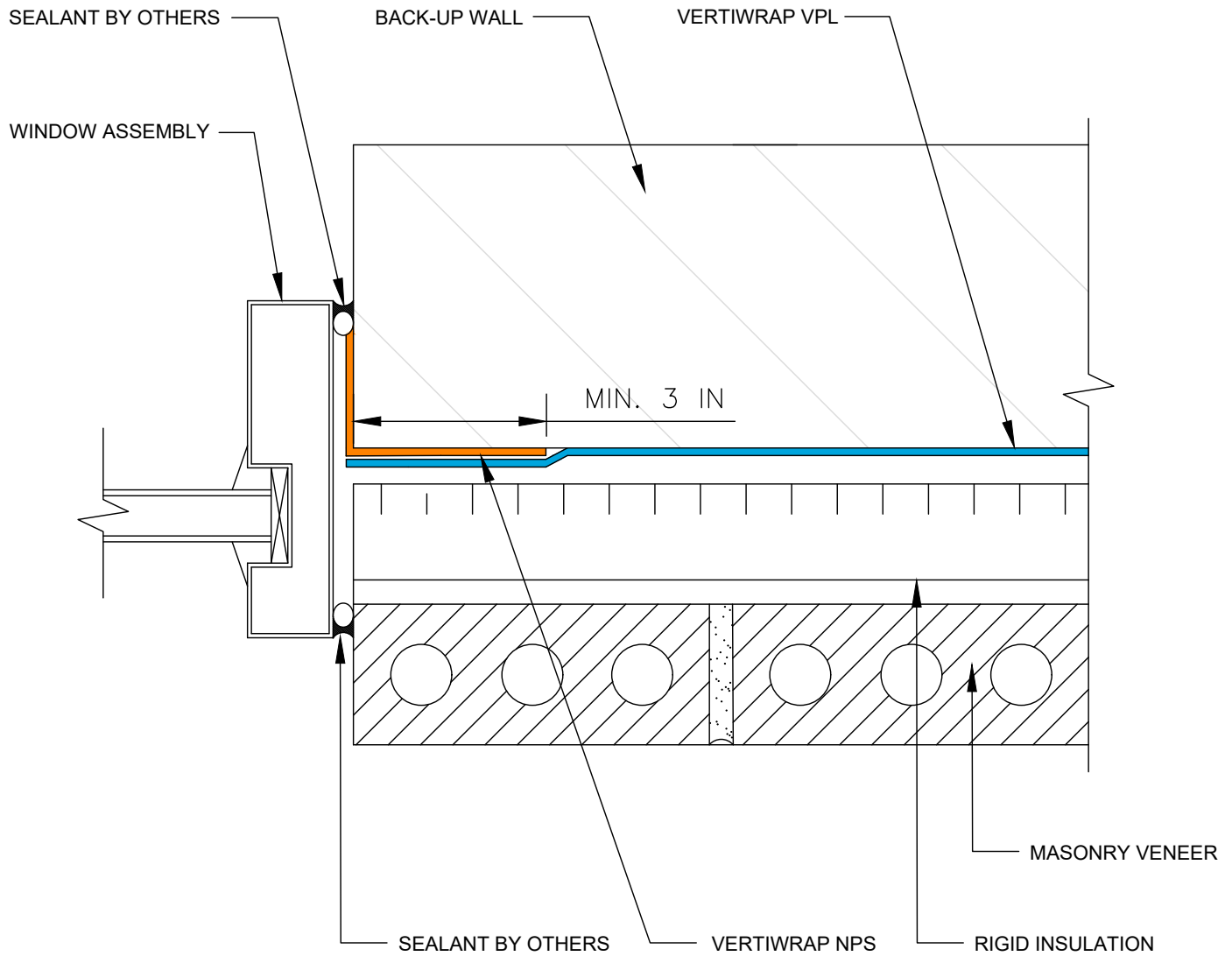
DETAIL IS INTENDED TO BE A GUIDE FOR AIR BARRIER INSTALLATION ONLY.

SUPERCEDES:
00/00/0000

DATE:
04/01/2023

SCALE:
NOT TO SCALE

DRAWING #:
VW-VPL-1C



NOTES:

1. THIS WALL ASSEMBLY MAY NOT BE SUITABLE FOR ALL CLIMATES/REGIONS. CONSULT A BUILDING SCIENCE PROFESSIONAL FOR ASSISTANCE WITH EXTERIOR WALL DESIGNS
2. INSTALL THE VERTIWRAP SYSTEM TO FORM A CONTINUOUS AIR AND WATER BARRIER
3. VERTIWRAP NPS SHOULD EXTEND INTO THE WINDOW OPENING AT A DIMENSION PER THE PROJECT DESIGN
4. VERTIWRAP NPS MAY BE OMITTED AT JAMB AND VERTIWRAP VPL CAN BE EXTENDED INTO THE ROUGH OPENING
5. INSTALL PRODUCTS ACCORDING TO THEIR RESPECTIVE TECHNICAL DATA SHEETS AND APPLICATION INSTRUCTIONS

POLYGLASS



polyglass.us

1111 West Newport Center Drive
Deerfield Beach, FL 33442
Technical Service: (866) 794-9659
technical@polyglass.com

VERTIWRAP VPL

**WINDOW JAMB
MASONRY CLADDING (OPTION-2)**

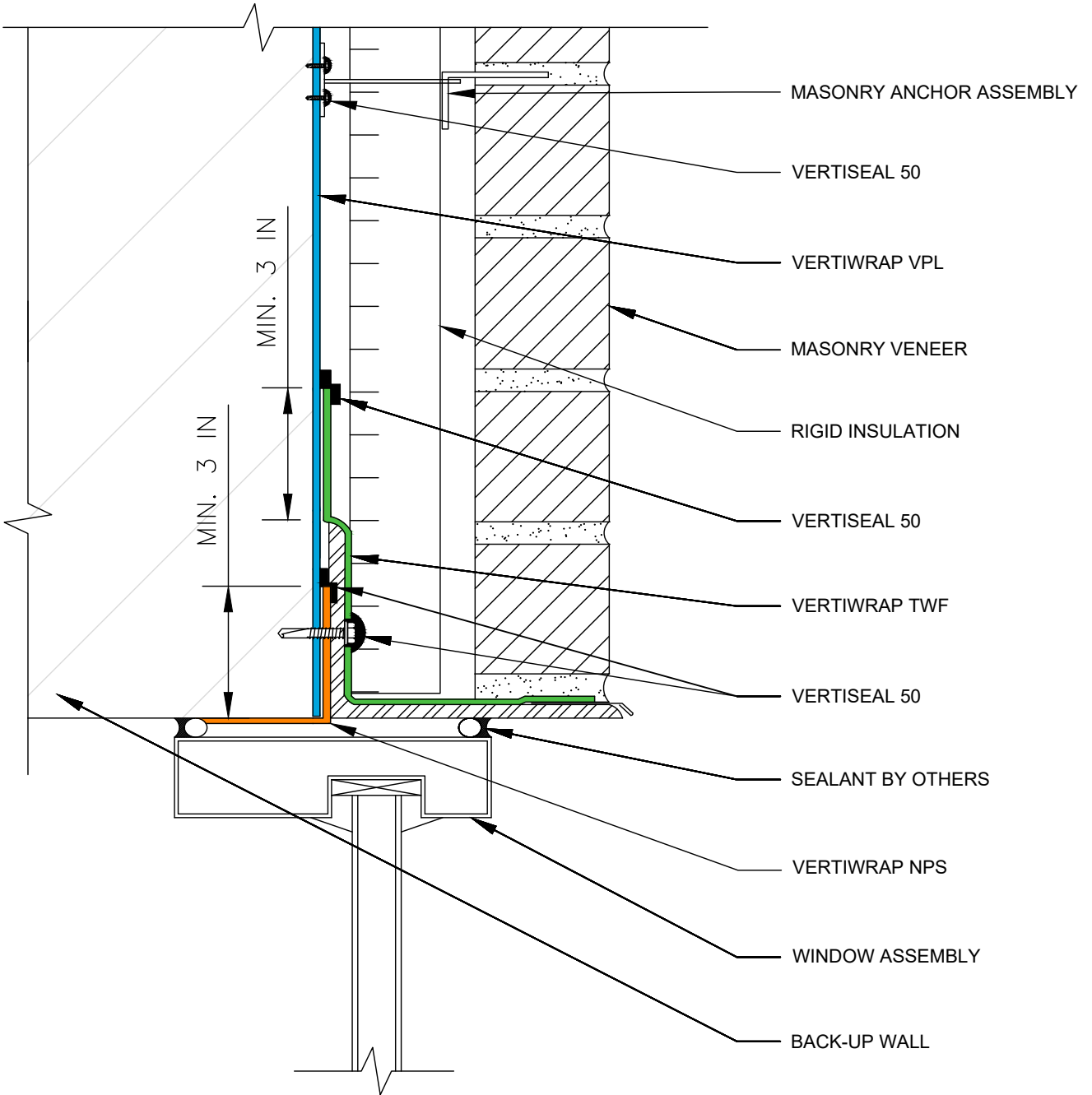
DETAIL IS INTENDED TO BE A GUIDE FOR AIR BARRIER INSTALLATION ONLY.

SUPERCEDES:
00/00/0000

DATE:
04/01/2023

SCALE:
NOT TO SCALE

DRAWING #:
VW-VPL-1D



NOTES:

1. THIS WALL ASSEMBLY MAY NOT BE SUITABLE FOR ALL CLIMATES/REGIONS. CONSULT A BUILDING SCIENCE PROFESSIONAL FOR ASSISTANCE WITH EXTERIOR WALL DESIGNS
2. INSTALL THE VERTIWRAP SYSTEM TO FORM A CONTINUOUS AIR AND WATER BARRIER
3. VERTIWRAP NPS SHOULD EXTEND INTO THE WINDOW OPENING AT A DIMENSION PER THE PROJECT DESIGN
4. VERTIWRAP NPS MAY BE OMITTED AT HEAD AND VERTIWRAP VPL CAN BE EXTENDED INTO THE ROUGH OPENING
5. INSTALL PRODUCTS ACCORDING TO THEIR RESPECTIVE TECHNICAL DATA SHEETS AND APPLICATION INSTRUCTIONS

POLYGLASS



polyglass.us

1111 West Newport Center Drive
Deerfield Beach, FL 33442
Technical Service: (866) 794-9659
technical@polyglass.com

VERTIWRAP VPL

**WINDOW HEAD
MASONRY CLADDING (OPTION-1)**

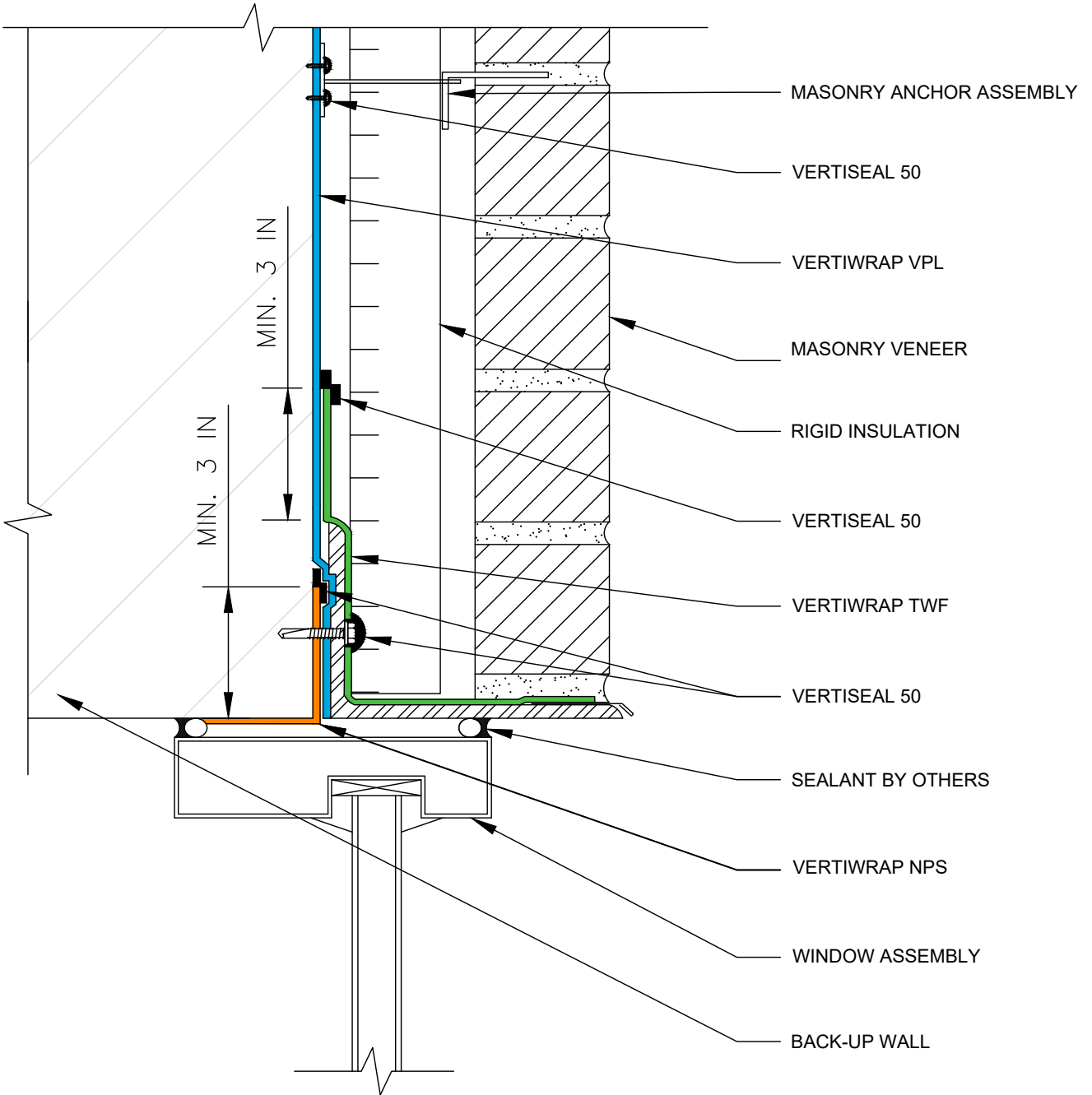
DETAIL IS INTENDED TO BE A GUIDE FOR AIR BARRIER INSTALLATION ONLY.

SUPERCEDES:
00/00/0000

DATE:
04/01/2023

SCALE:
NOT TO SCALE

DRAWING #:
VW-VPL-1E



NOTES:

1. THIS WALL ASSEMBLY MAY NOT BE SUITABLE FOR ALL CLIMATES/REGIONS. CONSULT A BUILDING SCIENCE PROFESSIONAL FOR ASSISTANCE WITH EXTERIOR WALL DESIGNS
2. INSTALL THE VERTIWRAP SYSTEM TO FORM A CONTINUOUS AIR AND WATER BARRIER
3. VERTIWRAP NPS SHOULD EXTEND INTO THE WINDOW OPENING AT A DIMENSION PER THE PROJECT DESIGN
4. VERTIWRAP NPS CAN BE OMITTED AT HEAD AND VERTIWRAP VPL CAN BE EXTENDED INTO THE ROUGH OPENING
5. INSTALL PRODUCTS ACCORDING TO THEIR RESPECTIVE TECHNICAL DATA SHEETS AND APPLICATION INSTRUCTIONS

POLYGLASS



polyglass.us

1111 West Newport Center Drive
 Deerfield Beach, FL 33442
 Technical Service: (866) 794-9659
technical@polyglass.com

VERTIWRAP VPL

**WINDOW HEAD
 MASONRY CLADDING (OPTION-2)**

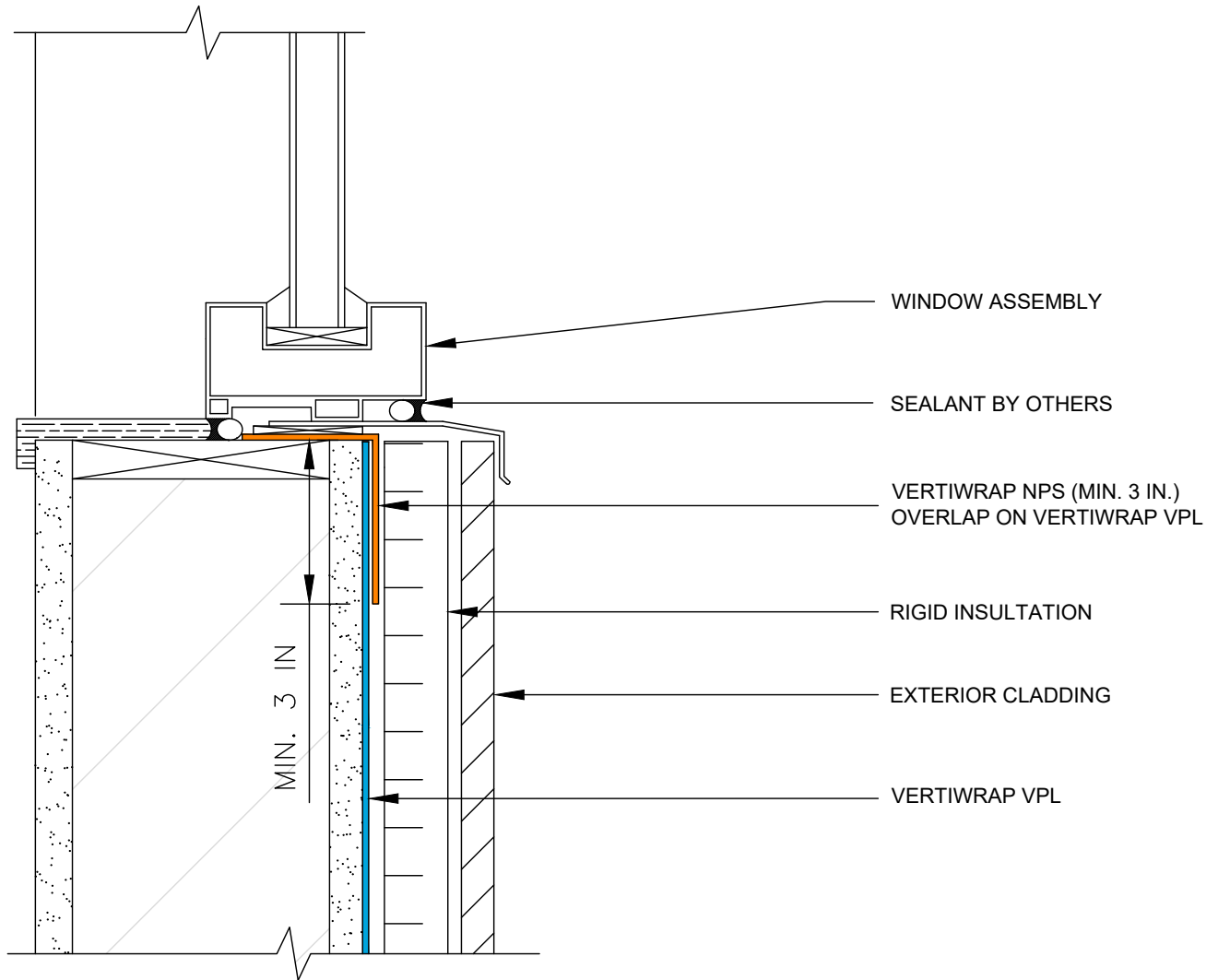
DETAIL IS INTENDED TO BE A GUIDE FOR AIR BARRIER INSTALLATION ONLY.

SUPERCEDES:
00/00/0000

DATE:
04/01/2023

SCALE:
NOT TO SCALE

DRAWING #:
VW-VPL-1F



NOTES:

1. THIS WALL ASSEMBLY MAY NOT BE SUITABLE FOR ALL CLIMATES/REGIONS. CONSULT A BUILDING SCIENCE PROFESSIONAL FOR ASSISTANCE WITH EXTERIOR WALL DESIGNS
2. INSTALL THE VERTIWRAP SYSTEM TO FORM A CONTINUOUS AIR AND WATER BARRIER
3. VERTIWRAP NPS SHOULD EXTEND INTO THE WINDOW OPENING AT A DIMENSION PER THE PROJECT DESIGN
4. INSTALL PRODUCTS ACCORDING TO THEIR RESPECTIVE TECHNICAL DATA SHEETS AND APPLICATION INSTRUCTIONS

POLYGLASS



polyglass.us

1111 West Newport Center Drive
Deerfield Beach, FL 33442
Technical Service: (866) 794-9659
technical@polyglass.com

**VERTIWRAP VPL
WINDOW SILL
NON-MASONRY CLADDING
(OPTION-1)**

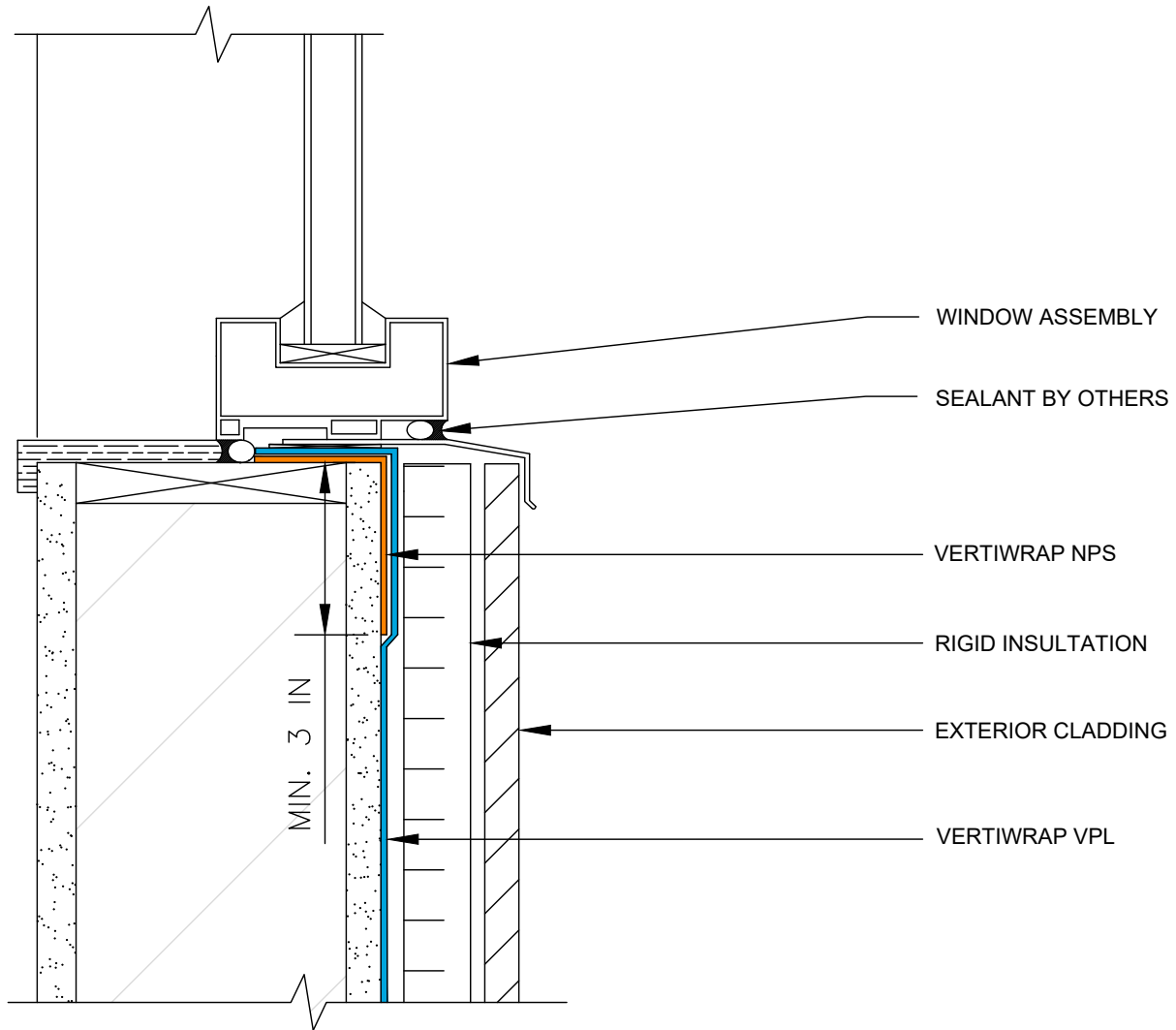
DETAIL IS INTENDED TO BE A GUIDE FOR AIR BARRIER INSTALLATION ONLY.

SUPERCEDES:
00/00/0000

DATE:
04/01/2023

SCALE:
NOT TO SCALE

DRAWING #:
VW-VPL-1G



NOTES:

1. THIS WALL ASSEMBLY MAY NOT BE SUITABLE FOR ALL CLIMATES/REGIONS. CONSULT A BUILDING SCIENCE PROFESSIONAL FOR ASSISTANCE WITH EXTERIOR WALL DESIGNS
2. INSTALL THE VERTIWRAP SYSTEM TO FORM A CONTINUOUS AIR AND WATER BARRIER
3. VERTIWRAP NPS SHOULD EXTEND INTO THE WINDOW OPENING AT A DIMENSION PER THE PROJECT DESIGN
4. INSTALL PRODUCTS ACCORDING TO THEIR RESPECTIVE TECHNICAL DATA SHEETS AND APPLICATION INSTRUCTIONS

POLYGLASS



polyglass.us

1111 West Newport Center Drive
Deerfield Beach, FL 33442
Technical Service: (866) 794-9659
technical@polyglass.com

**VERTIWRAP VPL
WINDOW SILL
NON-MASONRY CLADDING
(OPTION-2)**

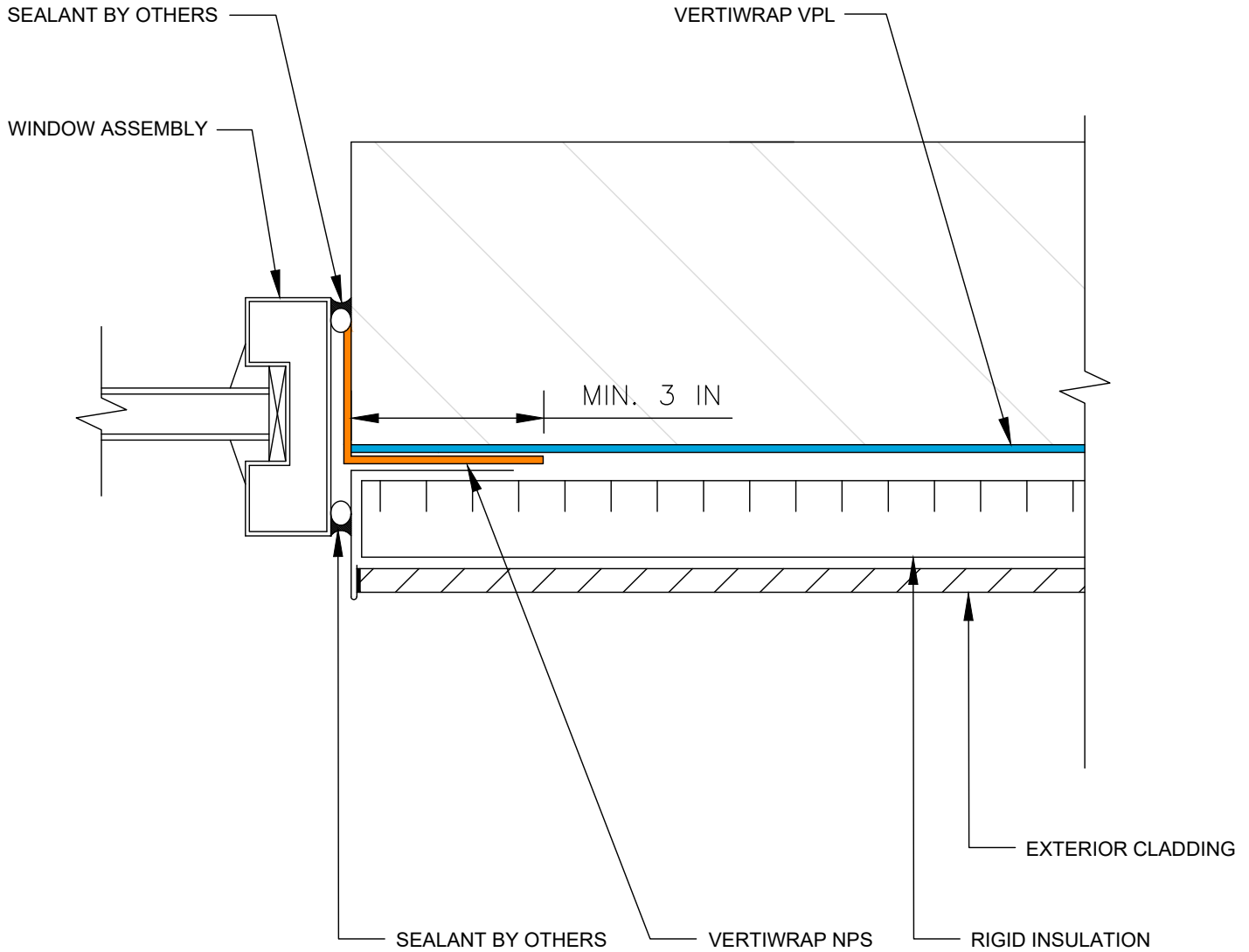
DETAIL IS INTENDED TO BE A GUIDE FOR AIR BARRIER INSTALLATION ONLY.

SUPERCEDES:
00/00/0000

DATE:
04/01/2023

SCALE:
NOT TO SCALE

DRAWING #:
VW-VPL-1H



NOTES:

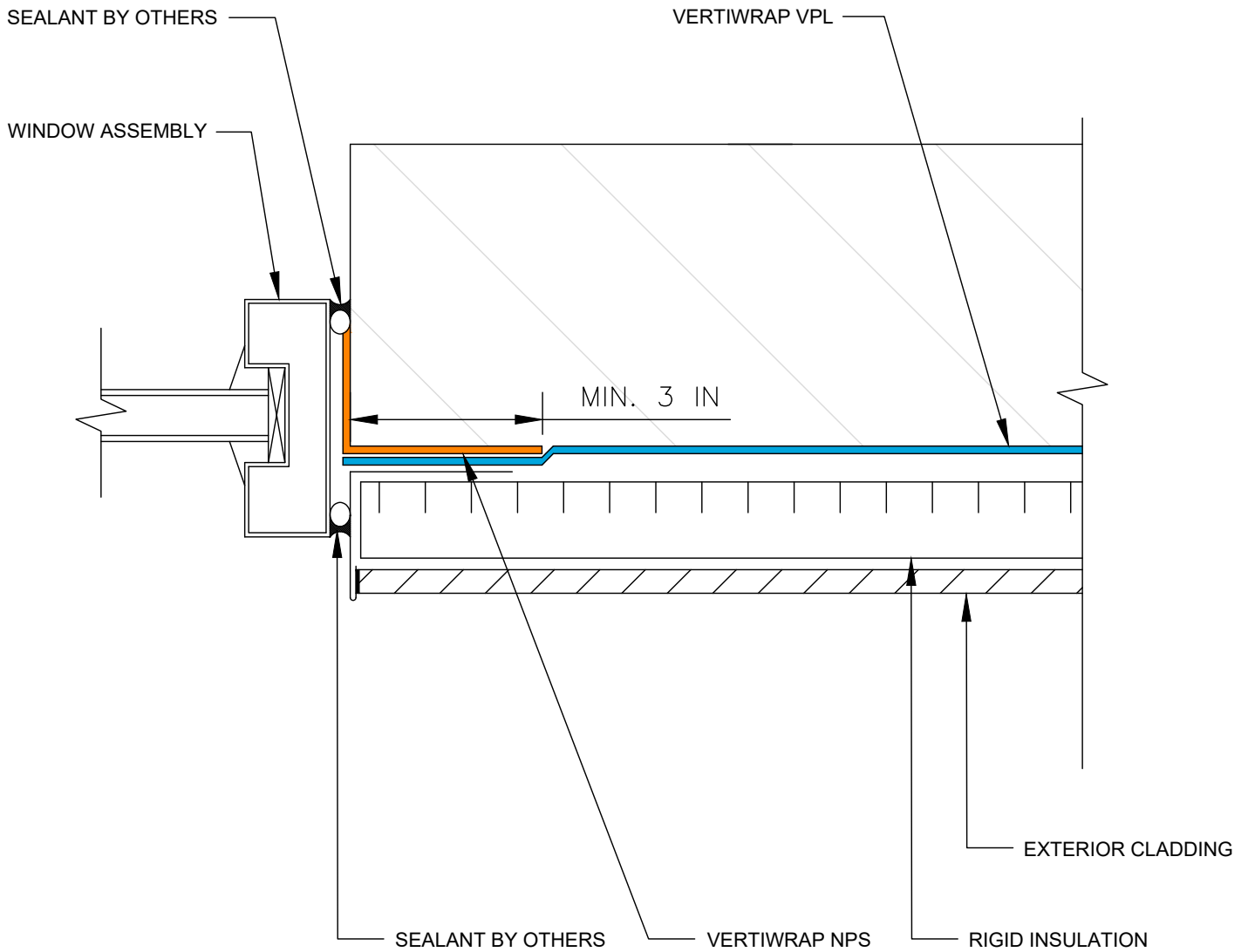
1. THIS WALL ASSEMBLY MAY NOT BE SUITABLE FOR ALL CLIMATES/REGIONS. CONSULT A BUILDING SCIENCE PROFESSIONAL FOR ASSISTANCE WITH EXTERIOR WALL DESIGNS
2. INSTALL THE VERTIWRAP SYSTEM TO FORM A CONTINUOUS AIR AND WATER BARRIER
3. VERTIWRAP NPS SHOULD EXTEND INTO THE WINDOW OPENING AT A DIMENSION PER THE PROJECT DESIGN
4. VERTIWRAP NPS MAY BE OMITTED AT JAMB AND VERTIWRAP VPL CAN BE EXTENDED INTO THE ROUGH OPENING
5. INSTALL PRODUCTS ACCORDING TO THEIR RESPECTIVE TECHNICAL DATA SHEETS AND APPLICATION INSTRUCTIONS

POLYGLASS
 MAPEI GROUP
 polyglass.us
 1111 West Newport Center Drive
 Deerfield Beach, FL 33442
 Technical Service: (866) 794-9659
 technical@polyglass.com

**VERTIWRAP VPL
 WINDOW JAMB
 NON-MASONRY CLADDING
 (OPTION-1)**

DETAIL IS INTENDED TO BE A GUIDE FOR AIR BARRIER INSTALLATION ONLY.

| | |
|--------------------|--------------|
| SUPERCEDES: | 00/00/0000 |
| DATE: | 04/01/2023 |
| SCALE: | NOT TO SCALE |
| DRAWING #: | VW-VPL-1I |



NOTES:

1. THIS WALL ASSEMBLY MAY NOT BE SUITABLE FOR ALL CLIMATES/REGIONS. CONSULT A BUILDING SCIENCE PROFESSIONAL FOR ASSISTANCE WITH EXTERIOR WALL DESIGNS
2. INSTALL THE VERTIWRAP SYSTEM TO FORM A CONTINUOUS AIR AND WATER BARRIER
3. VERTIWRAP NPS SHOULD EXTEND INTO THE WINDOW OPENING AT A DIMENSION PER THE PROJECT DESIGN
4. VERTIWRAP NPS MAY BE OMITTED AT JAMB AND VERTIWRAP VPL CAN BE EXTENDED INTO THE ROUGH OPENING
5. INSTALL PRODUCTS ACCORDING TO THEIR RESPECTIVE TECHNICAL DATA SHEETS AND APPLICATION INSTRUCTIONS

POLYGLASS



polyglass.us

1111 West Newport Center Drive
Deerfield Beach, FL 33442
Technical Service: (866) 794-9659
technical@polyglass.com

**VERTIWRAP VPL
WINDOW JAMB
NON-MASONRY CLADDING
(OPTION-2)**

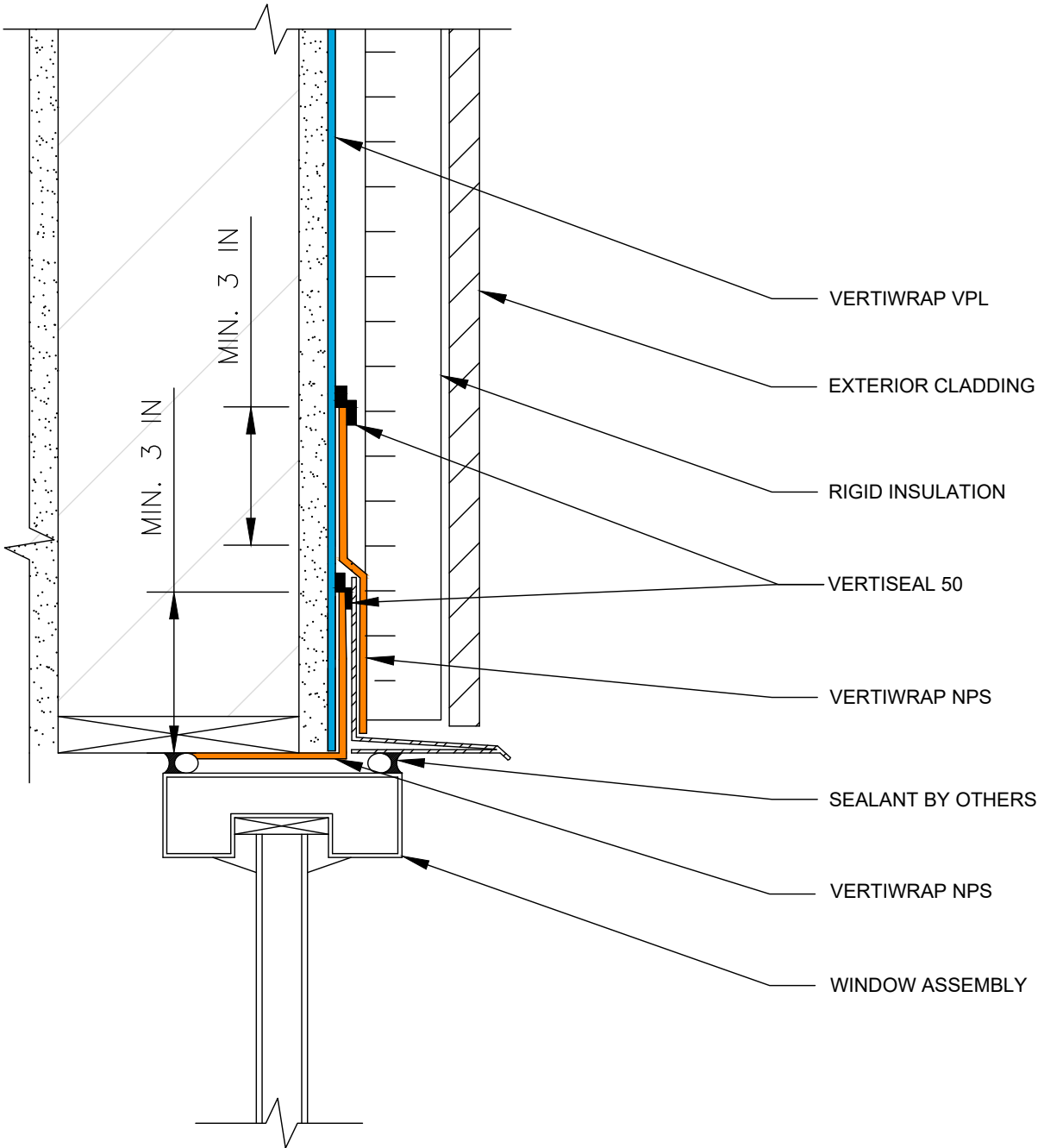
DETAIL IS INTENDED TO BE A GUIDE FOR AIR BARRIER INSTALLATION ONLY.

SUPERCEDES:
00/00/0000

DATE:
04/01/2023

SCALE:
NOT TO SCALE

DRAWING #:
VW-VPL-1J



NOTES:

1. THIS WALL ASSEMBLY MAY NOT BE SUITABLE FOR ALL CLIMATES/REGIONS. CONSULT A BUILDING SCIENCE PROFESSIONAL FOR ASSISTANCE WITH EXTERIOR WALL DESIGNS
2. INSTALL THE VERTIWRAP SYSTEM TO FORM A CONTINUOUS AIR AND WATER BARRIER
3. VERTIWRAP NPS SHOULD EXTEND INTO THE WINDOW OPENING AT A DIMENSION PER THE PROJECT DESIGN
4. VERTIWRAP NPS MAY BE OMITTED AT HEAD AND VERTIWRAP VPL CAN BE EXTENDED INTO THE ROUGH OPENING
5. INSTALL PRODUCTS ACCORDING TO THEIR RESPECTIVE TECHNICAL DATA SHEETS AND APPLICATION INSTRUCTIONS

POLYGLASS



polyglass.us

1111 West Newport Center Drive
 Deerfield Beach, FL 33442
 Technical Service: (866) 794-9659
technical@polyglass.com

**VERTIWRAP VPL
 WINDOW HEAD
 NON-MASONRY CLADDING
 (OPTION-1)**

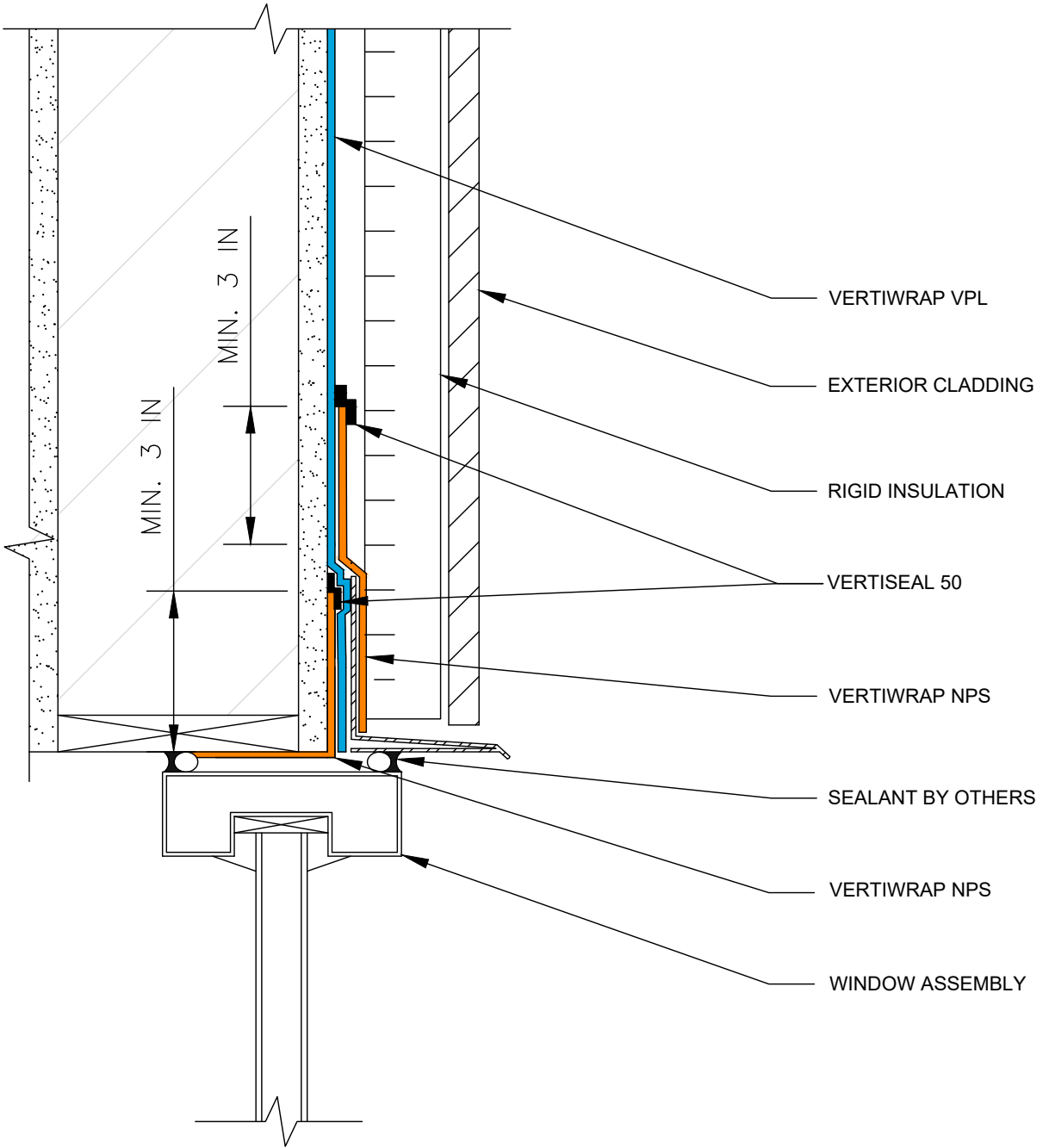
DETAIL IS INTENDED TO BE A GUIDE FOR AIR BARRIER INSTALLATION ONLY.

SUPERCEDES:
00/00/0000

DATE:
04/01/2023

SCALE:
NOT TO SCALE

DRAWING #:
VW-VPL-1K



NOTES:

1. THIS WALL ASSEMBLY MAY NOT BE SUITABLE FOR ALL CLIMATES/REGIONS. CONSULT A BUILDING SCIENCE PROFESSIONAL FOR ASSISTANCE WITH EXTERIOR WALL DESIGNS
2. INSTALL THE VERTIWRAP SYSTEM TO FORM A CONTINUOUS AIR AND WATER BARRIER
3. VERTIWRAP NPS SHOULD EXTEND INTO THE WINDOW OPENING AT A DIMENSION PER THE PROJECT DESIGN
4. VERTIWRAP NPS MAY BE OMITTED AT HEAD AND VERTIWRAP VPL CAN BE EXTENDED INTO THE ROUGH OPENING
5. INSTALL PRODUCTS ACCORDING TO THEIR RESPECTIVE TECHNICAL DATA SHEETS AND APPLICATION INSTRUCTIONS

POLYGLASS



polyglass.us

1111 West Newport Center Drive
Deerfield Beach, FL 33442
Technical Service: (866) 794-9659
technical@polyglass.com

**VERTIWRAP VPS
WINDOW HEAD
NON-MASONRY CLADDING
(OPTION-2)**

DETAIL IS INTENDED TO BE A GUIDE FOR AIR BARRIER INSTALLATION ONLY.

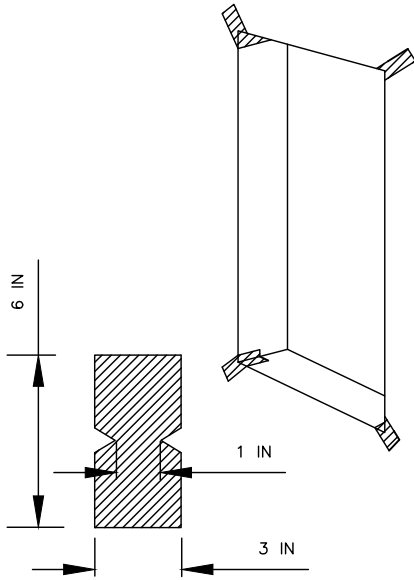
SUPERCEDES:
00/00/0000

DATE:
04/01/2023

SCALE:
NOT TO SCALE

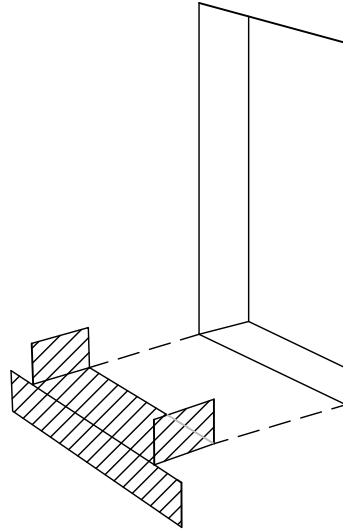
DRAWING #:
VW-VPS-1L

STEP 1 - CORNER FLASHING

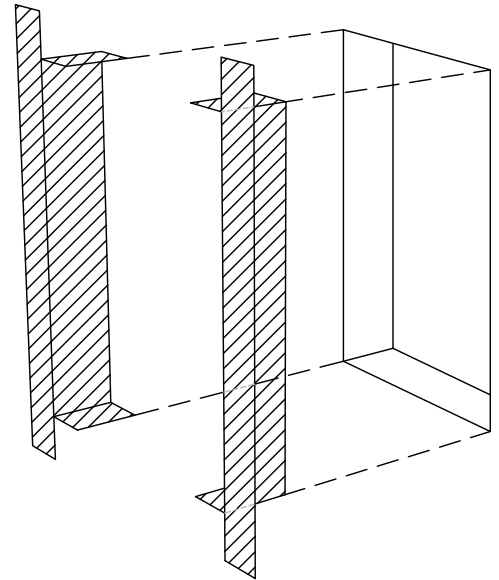


CORNER FLASHING

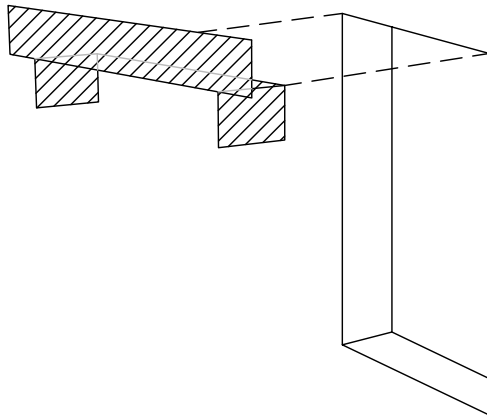
STEP 2 - SILL FLASHING



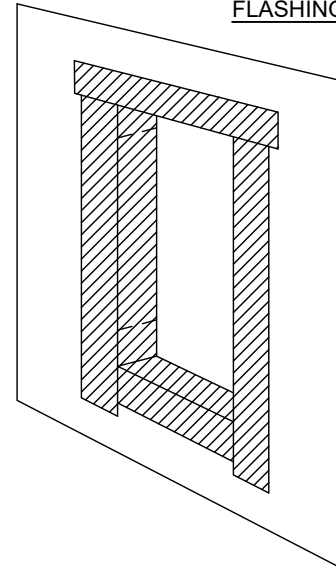
STEP 3 - JAMB FLASHING



STEP 4 - HEAD FLASHING



FLASHING COMPLETED



NOTES:

1. THIS WALL ASSEMBLY MAY NOT BE SUITABLE FOR ALL CLIMATES/REGIONS. CONSULT A BUILDING SCIENCE PROFESSIONAL FOR ASSISTANCE WITH EXTERIOR WALL DESIGNS
2. INSTALL THE VERTIWRAP SYSTEM TO FORM A CONTINUOUS AIR AND WATER BARRIER
3. VERTIWRAP SHOULD EXTEND INTO THE WINDOW OPENING AT A DIMENSION PER THE PROJECT DESIGN
4. ALL VERTIWRAP FLASHING SHOULD EXTEND A MIN. OF 3 IN. ONTO THE SHEATHING AND OR PREVIOUSLY INSTALLED VERTIWRAP MEMBRANE. VERTICAL LEGS OF FLASHING SHOULD EXTEND A MIN. OF 3 IN. AT ANY PLANE CHANGES
5. INSTALL PRODUCTS ACCORDING TO THEIR RESPECTIVE TECHNICAL DATA SHEETS AND APPLICATION INSTRUCTIONS

POLYGLASS



polyglass.us

1111 West Newport Center Drive
Deerfield Beach, FL 33442
Technical Service: (866) 794-9659
technical@polyglass.com

VERTIWRAP VPL

**SELF-ADHERED
WINDOW FLASHING**

DETAIL IS INTENDED TO BE A GUIDE FOR AIR BARRIER INSTALLATION ONLY.

SUPERCEDES:

00/00/0000

DATE:

04/01/2023

SCALE:

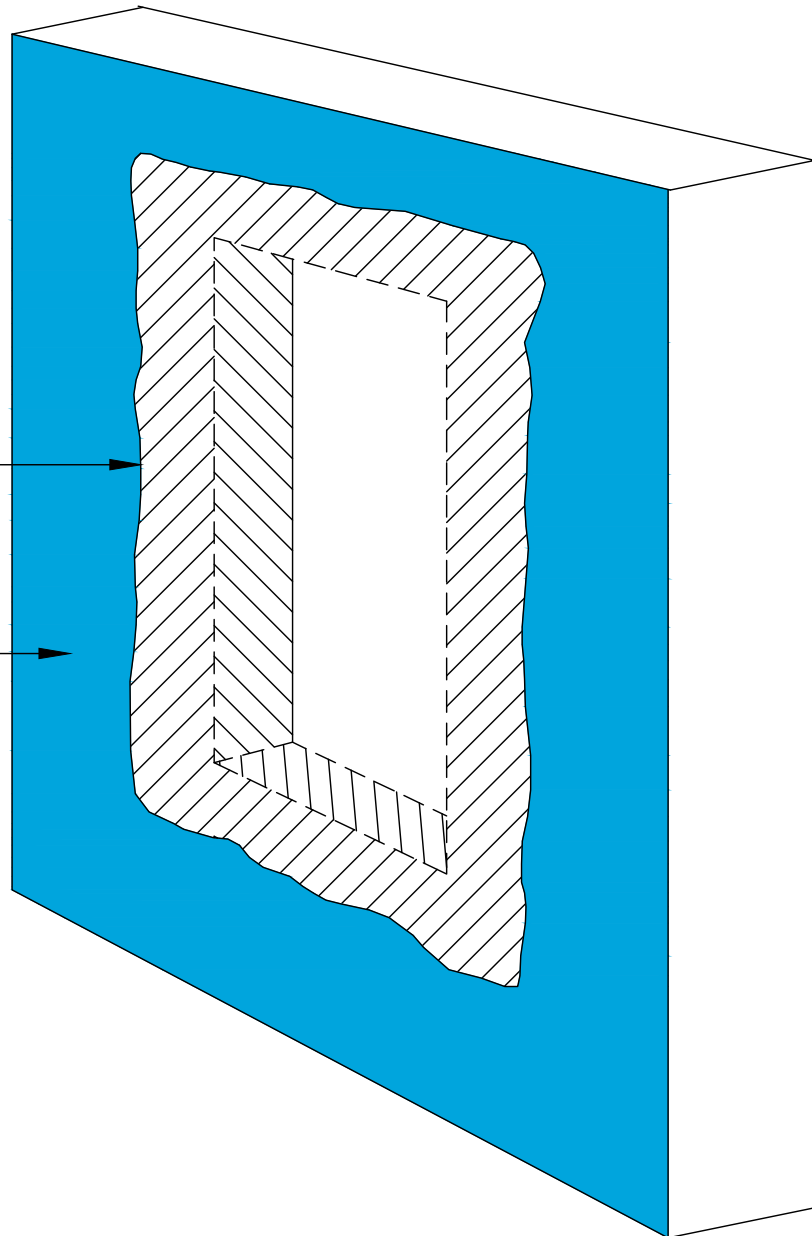
NOT TO SCALE

DRAWING #:

VW-VPL-1M

VERTISEAL 50
(MINIMUM 25-MILS)

VERTIWRAP VPL



NOTES:

1. THIS WALL ASSEMBLY MAY NOT BE SUITABLE FOR ALL CLIMATES/REGIONS. CONSULT A BUILDING SCIENCE PROFESSIONAL FOR ASSISTANCE WITH EXTERIOR WALL DESIGNS
2. INSTALL THE VERTIWRAP SYSTEM TO FORM A CONTINUOUS AIR AND WATER BARRIER
3. VERTISEAL 50 SHOULD EXTEND INTO THE WINDOW OPENING AT A DIMENSION PER THE PROJECT DESIGN
4. VERTISEAL 50 SHOULD EXTEND A MIN. OF 3 IN. ONTO THE VERTIWRAP VPL
5. INSTALL PRODUCTS ACCORDING TO THEIR RESPECTIVE TECHNICAL DATA SHEETS AND APPLICATION INSTRUCTIONS

POLYGLASS



polyglass.us

1111 West Newport Center Drive
Deerfield Beach, FL 33442
Technical Service: (866) 794-9659
technical@polyglass.com

VERTIWRAP VPL

VERTISEAL 50 FLASHING ROUGH OPENING

DETAIL IS INTENDED TO BE A GUIDE FOR AIR BARRIER INSTALLATION ONLY.

SUPERCEDES:

00/00/0000

DATE:

04/01/2023

SCALE:

NOT TO SCALE

DRAWING #:

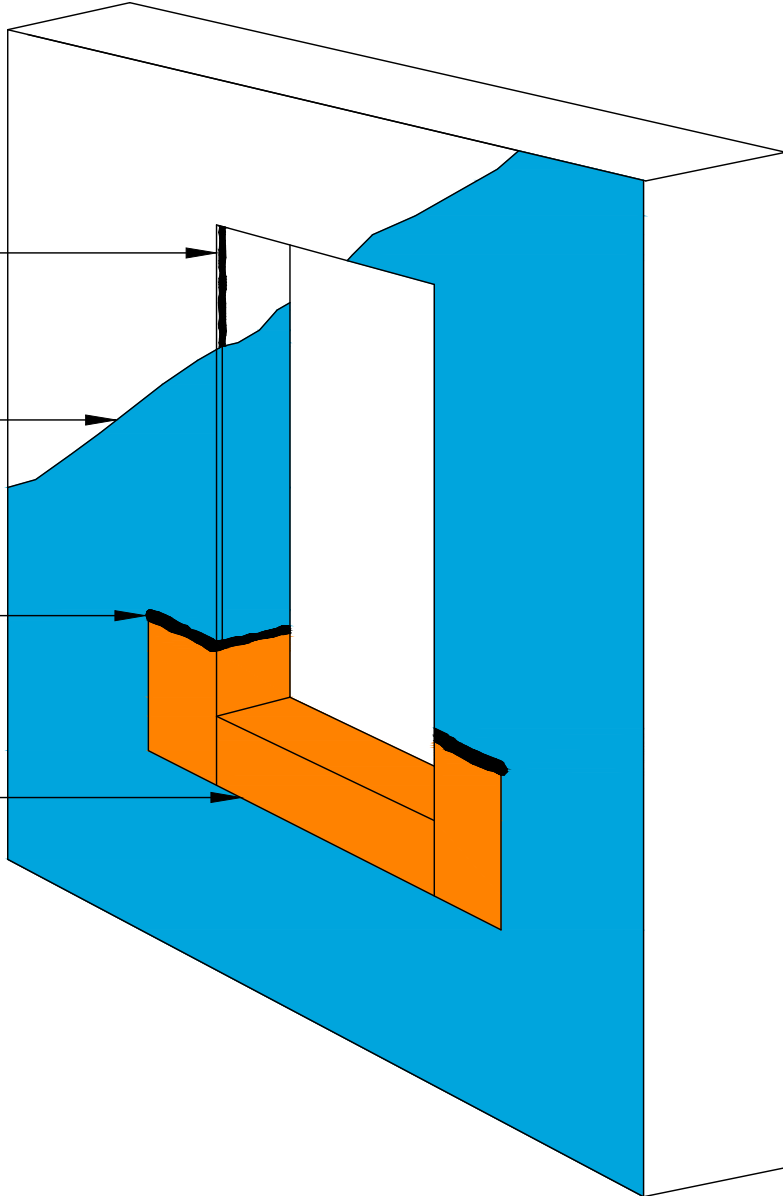
VW-VPL-1N

VERTISEAL 50
(SEAL TRANSITION FROM
FRAMING TO SHEATHING
PRIOR TO VERTIWRAP VPL)

VERTIWRAP VPL

VERTISEAL 50

VERTIWRAP NPS



NOTES:

1. THIS WALL ASSEMBLY MAY NOT BE SUITABLE FOR ALL CLIMATES/REGIONS. CONSULT A BUILDING SCIENCE PROFESSIONAL FOR ASSISTANCE WITH EXTERIOR WALL DESIGNS
2. INSTALL THE VERTIWRAP SYSTEM TO FORM A CONTINUOUS AIR AND WATER BARRIER
3. VERTIWRAP NPS MUST BE INSTALLED AT THE SILL PER STANDARD DETAILING AND TOP TERMINATIONS SEALED WITH VERTISEAL 50. VERTIWRAP NPS CAN BE INSTALLED BEFORE OR AFTER THE INSTALLATION OF VERTIWRAP VPL
4. ALL TRANSITION BETWEEN FRAMING AND SHEATHING MUST BE SEALED WITH VERTISEAL 50 PRIOR TO THE INSTALLATION OF VERTIWRAP VPL
5. VERTIWRAP NPS AND VERTIWRAP VPL SHOULD EXTEND INTO THE WINDOW OPENING AT A DIMENSION PER THE PROJECT DESIGN
6. INSTALL PRODUCTS ACCORDING TO THEIR RESPECTIVE TECHNICAL DATA SHEETS AND APPLICATION INSTRUCTIONS

POLYGLASS



polyglass.us

1111 West Newport Center Drive
Deerfield Beach, FL 33442
Technical Service: (866) 794-9659
technical@polyglass.com

VERTIWRAP VPL

**VERTIWRAP VPL FLASHING
ROUGH OPENING**

DETAIL IS INTENDED TO BE A GUIDE FOR AIR BARRIER INSTALLATION ONLY.

SUPERCEDES:

00/00/0000

DATE:

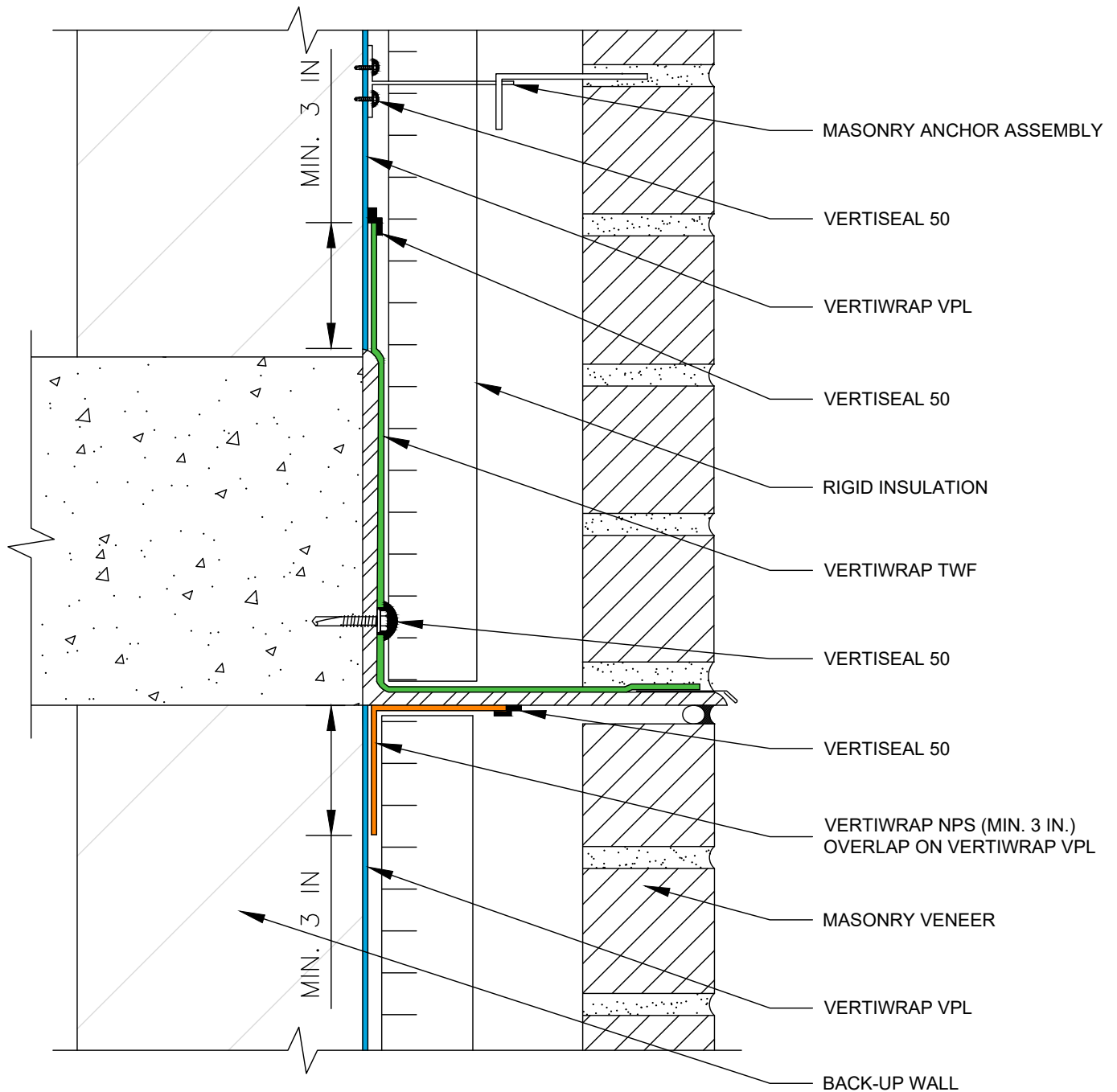
04/01/2023

SCALE:

NOT TO SCALE

DRAWING #:

VW-VPL-10



NOTES:

1. THIS WALL ASSEMBLY MAY NOT BE SUITABLE FOR ALL CLIMATES/REGIONS. CONSULT A BUILDING SCIENCE PROFESSIONAL FOR ASSISTANCE WITH EXTERIOR WALL DESIGNS
2. INSTALL THE VERTIWRAP SYSTEM TO FORM A CONTINUOUS AIR AND WATER BARRIER
3. INSTALL PRODUCTS ACCORDING TO THEIR RESPECTIVE TECHNICAL DATA SHEETS AND APPLICATION INSTRUCTIONS

POLYGLASS



polyglass.us

1111 West Newport Center Drive
Deerfield Beach, FL 33442
Technical Service: (866) 794-9659
technical@polyglass.com

**VERTIWRAP VPL
FLOOR LINE TRANSITION
MASONRY CLADDING
(OPTION-1)**

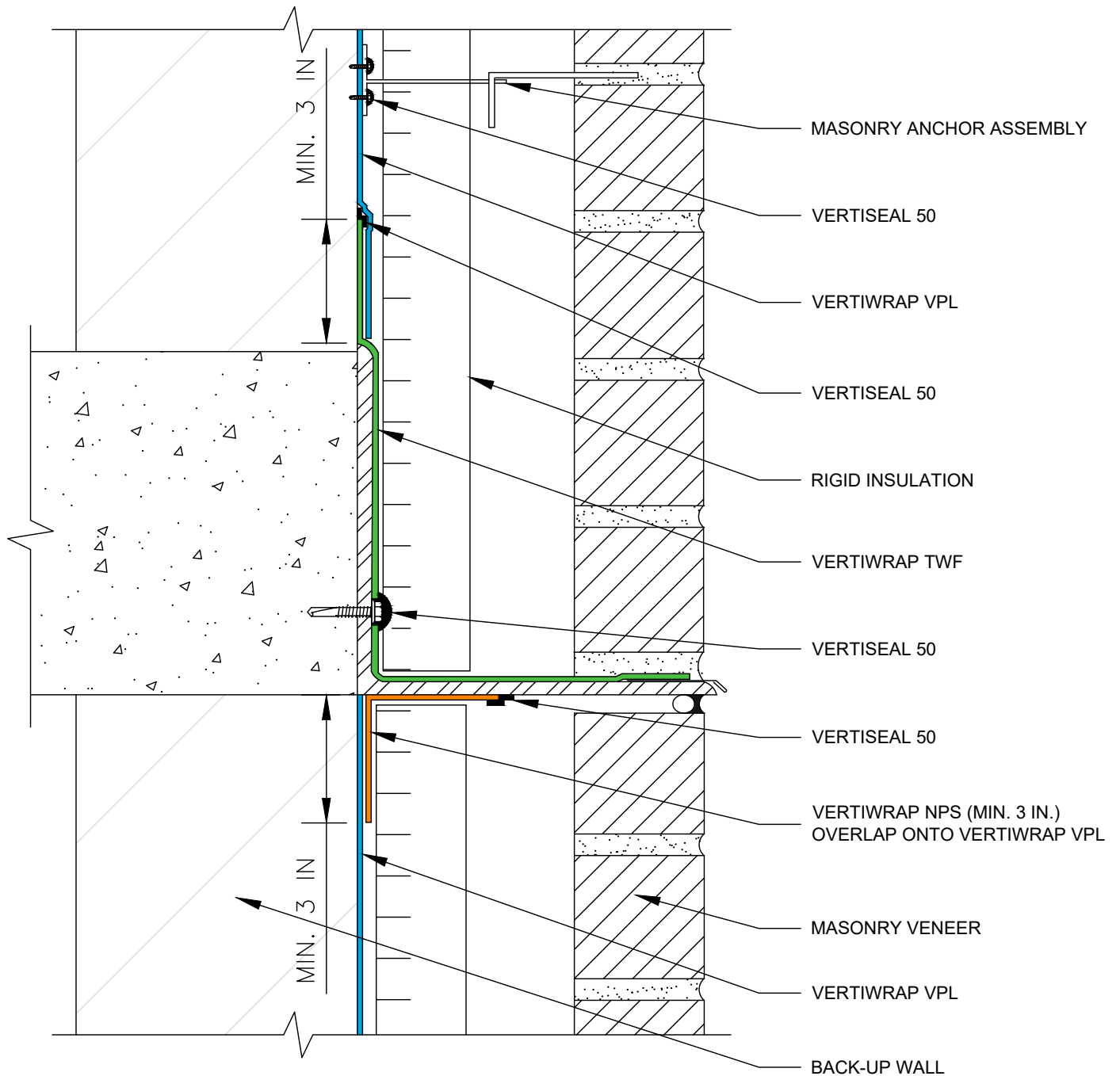
DETAIL IS INTENDED TO BE A GUIDE FOR AIR BARRIER INSTALLATION ONLY.

SUPERCEDES:
00/00/0000

DATE:
04/01/2023

SCALE:
NOT TO SCALE

DRAWING #:
VW-VPL-2A



NOTES:

1. THIS WALL ASSEMBLY MAY NOT BE SUITABLE FOR ALL CLIMATES/REGIONS. CONSULT A BUILDING SCIENCE PROFESSIONAL FOR ASSISTANCE WITH EXTERIOR WALL DESIGNS
2. INSTALL THE VERTIWRAP SYSTEM TO FORM A CONTINUOUS AIR AND WATER BARRIER
3. INSTALL PRODUCTS ACCORDING TO THEIR RESPECTIVE TECHNICAL DATA SHEETS AND APPLICATION INSTRUCTIONS

POLYGLASS



polyglass.us

1111 West Newport Center Drive
 Deerfield Beach, FL 33442
 Technical Service: (866) 794-9659
 technical@polyglass.com

**VERTIWRAP VPL
 FLOOR LINE TRANSITION
 MASONRY CLADDING
 (OPTION-2)**

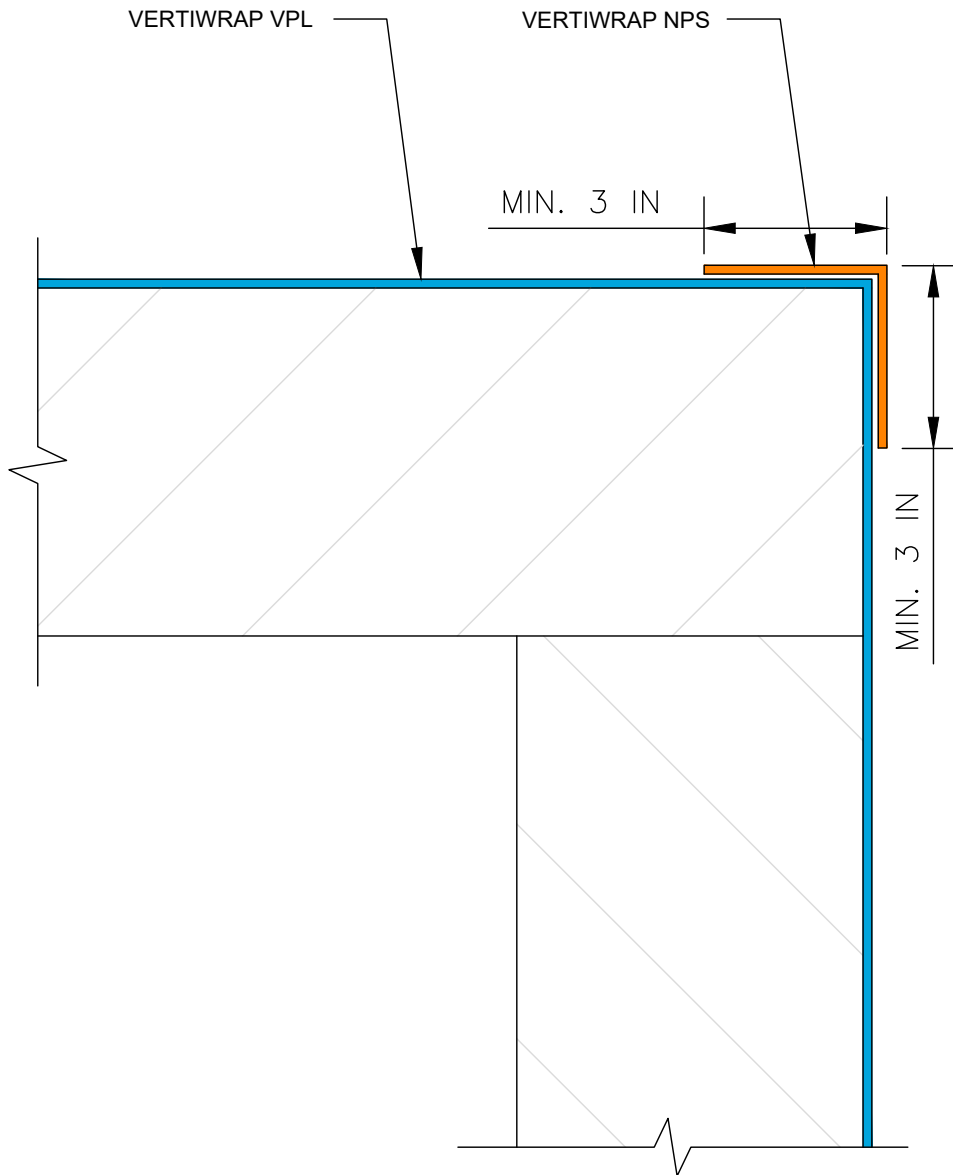
DETAIL IS INTENDED TO BE A GUIDE FOR AIR BARRIER INSTALLATION ONLY.

SUPERCEDES:
00/00/0000

DATE:
04/01/2023

SCALE:
NOT TO SCALE

DRAWING #:
VW-VPL-2B



NOTES:

1. THIS WALL ASSEMBLY MAY NOT BE SUITABLE FOR ALL CLIMATES/REGIONS. CONSULT A BUILDING SCIENCE PROFESSIONAL FOR ASSISTANCE WITH EXTERIOR WALL DESIGNS
2. INSTALL THE VERTIWRAP SYSTEM TO FORM A CONTINUOUS AIR AND WATER BARRIER
3. INSTALL PRODUCTS ACCORDING TO THEIR RESPECTIVE TECHNICAL DATA SHEETS AND APPLICATION INSTRUCTIONS

POLYGLASS



polyglass.us

1111 West Newport Center Drive
 Deerfield Beach, FL 33442
 Technical Service: (866) 794-9659
technical@polyglass.com

VERTIWRAP VPL

**OUTSIDE CORNER
 (OPTION-1)**

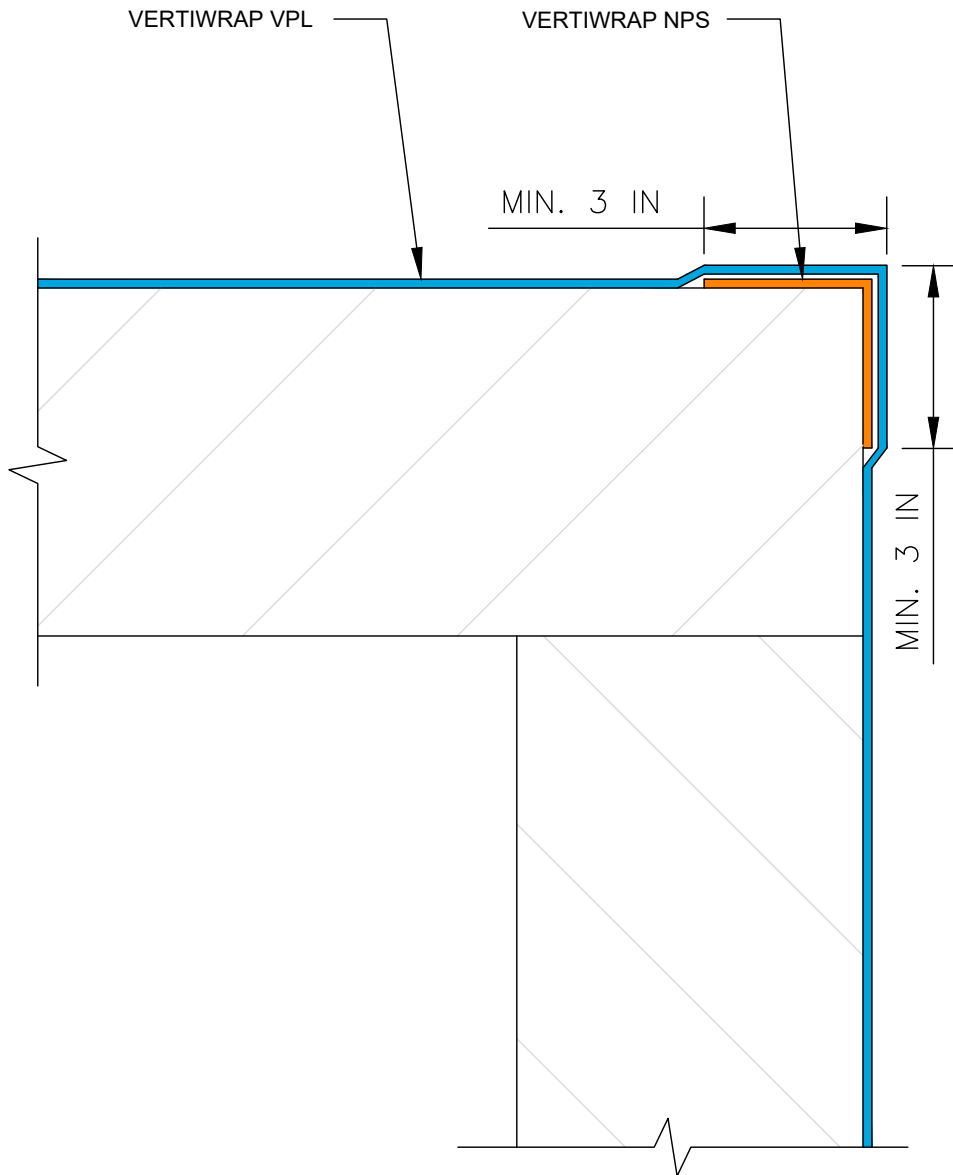
DETAIL IS INTENDED TO BE A GUIDE FOR AIR BARRIER INSTALLATION ONLY.

SUPERCEDES:
00/00/0000

DATE:
04/01/2023

SCALE:
NOT TO SCALE

DRAWING #:
VW-VPL-3A



NOTES:

1. THIS WALL ASSEMBLY MAY NOT BE SUITABLE FOR ALL CLIMATES/REGIONS. CONSULT A BUILDING SCIENCE PROFESSIONAL FOR ASSISTANCE WITH EXTERIOR WALL DESIGNS
2. INSTALL THE VERTIWRAP SYSTEM TO FORM A CONTINUOUS AIR AND WATER BARRIER
3. INSTALL PRODUCTS ACCORDING TO THEIR RESPECTIVE TECHNICAL DATA SHEETS AND APPLICATION INSTRUCTIONS

POLYGLASS



polyglass.us

1111 West Newport Center Drive
 Deerfield Beach, FL 33442
 Technical Service: (866) 794-9659
 technical@polyglass.com

VERTIWRAP VPL

**OUTSIDE CORNER
 (OPTION-2)**

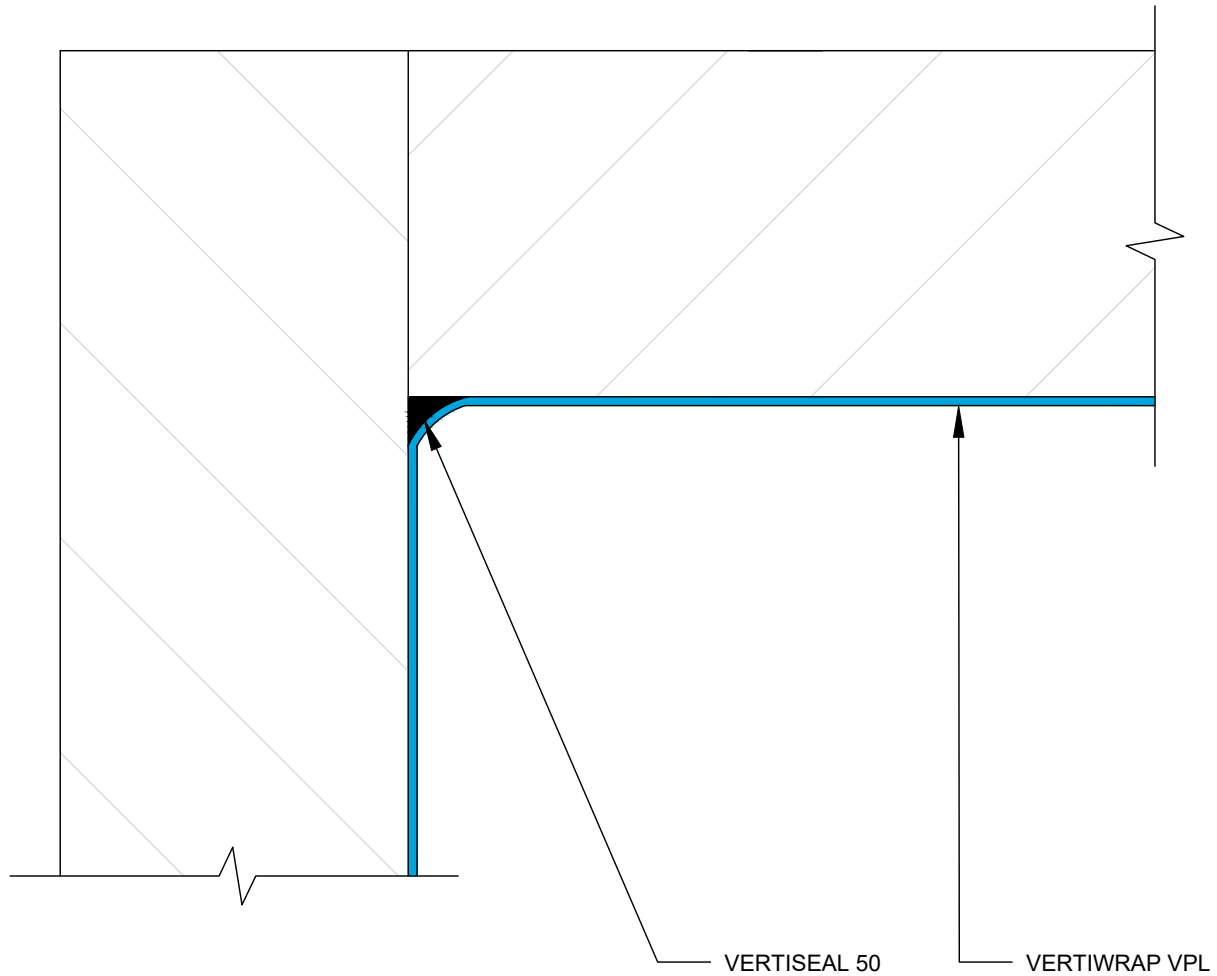
DETAIL IS INTENDED TO BE A GUIDE FOR AIR BARRIER INSTALLATION ONLY.

SUPERCEDES:
00/00/0000

DATE:
04/01/2023

SCALE:
NOT TO SCALE

DRAWING #:
VW-VPL-3B



NOTES:

1. THIS WALL ASSEMBLY MAY NOT BE SUITABLE FOR ALL CLIMATES/REGIONS. CONSULT A BUILDING SCIENCE PROFESSIONAL FOR ASSISTANCE WITH EXTERIOR WALL DESIGNS
2. INSTALL THE VERTIWRAP SYSTEM TO FORM A CONTINUOUS AIR AND WATER BARRIER
3. INSTALL PRODUCTS ACCORDING TO THEIR RESPECTIVE TECHNICAL DATA SHEETS AND APPLICATION INSTRUCTIONS

POLYGLASS



polyglass.us

1111 West Newport Center Drive
Deerfield Beach, FL 33442
Technical Service: (866) 794-9659
technical@polyglass.com

VERTIWRAP VPL

**INSIDE CORNER
(OPTION-1)**

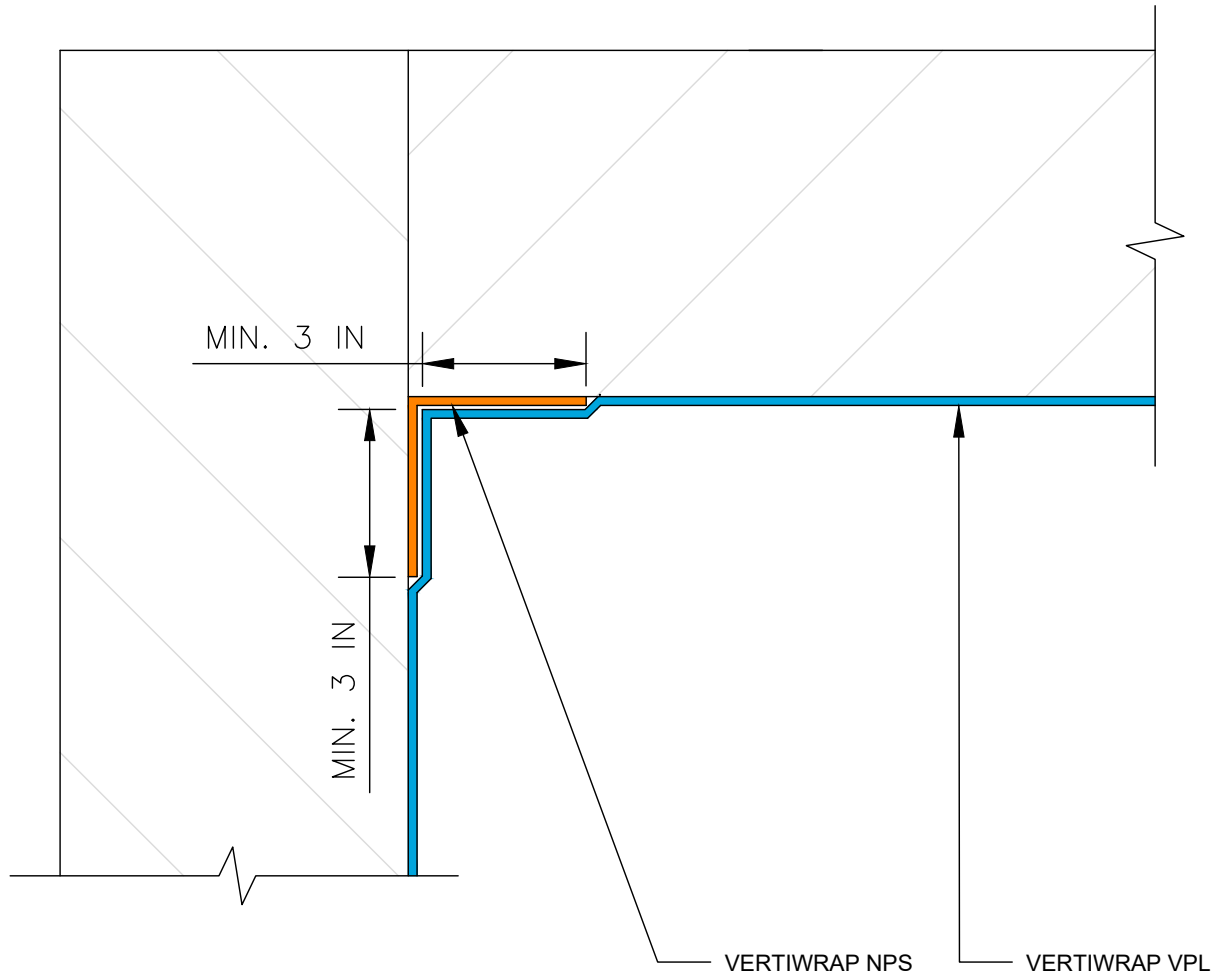
DETAIL IS INTENDED TO BE A GUIDE FOR AIR BARRIER INSTALLATION ONLY.

SUPERCEDES:
00/00/0000

DATE:
04/01/2023

SCALE:
NOT TO SCALE

DRAWING #:
VW-VPL-3C



NOTES:

1. THIS WALL ASSEMBLY MAY NOT BE SUITABLE FOR ALL CLIMATES/REGIONS. CONSULT A BUILDING SCIENCE PROFESSIONAL FOR ASSISTANCE WITH EXTERIOR WALL DESIGNS
2. INSTALL THE VERTIWRAP SYSTEM TO FORM A CONTINUOUS AIR AND WATER BARRIER
3. INSTALL PRODUCTS ACCORDING TO THEIR RESPECTIVE TECHNICAL DATA SHEETS AND APPLICATION INSTRUCTIONS

POLYGLASS



polyglass.us

1111 West Newport Center Drive
Deerfield Beach, FL 33442
Technical Service: (866) 794-9659
technical@polyglass.com

VERTIWRAP VPL

**INSIDE CORNER
(OPTION-2)**

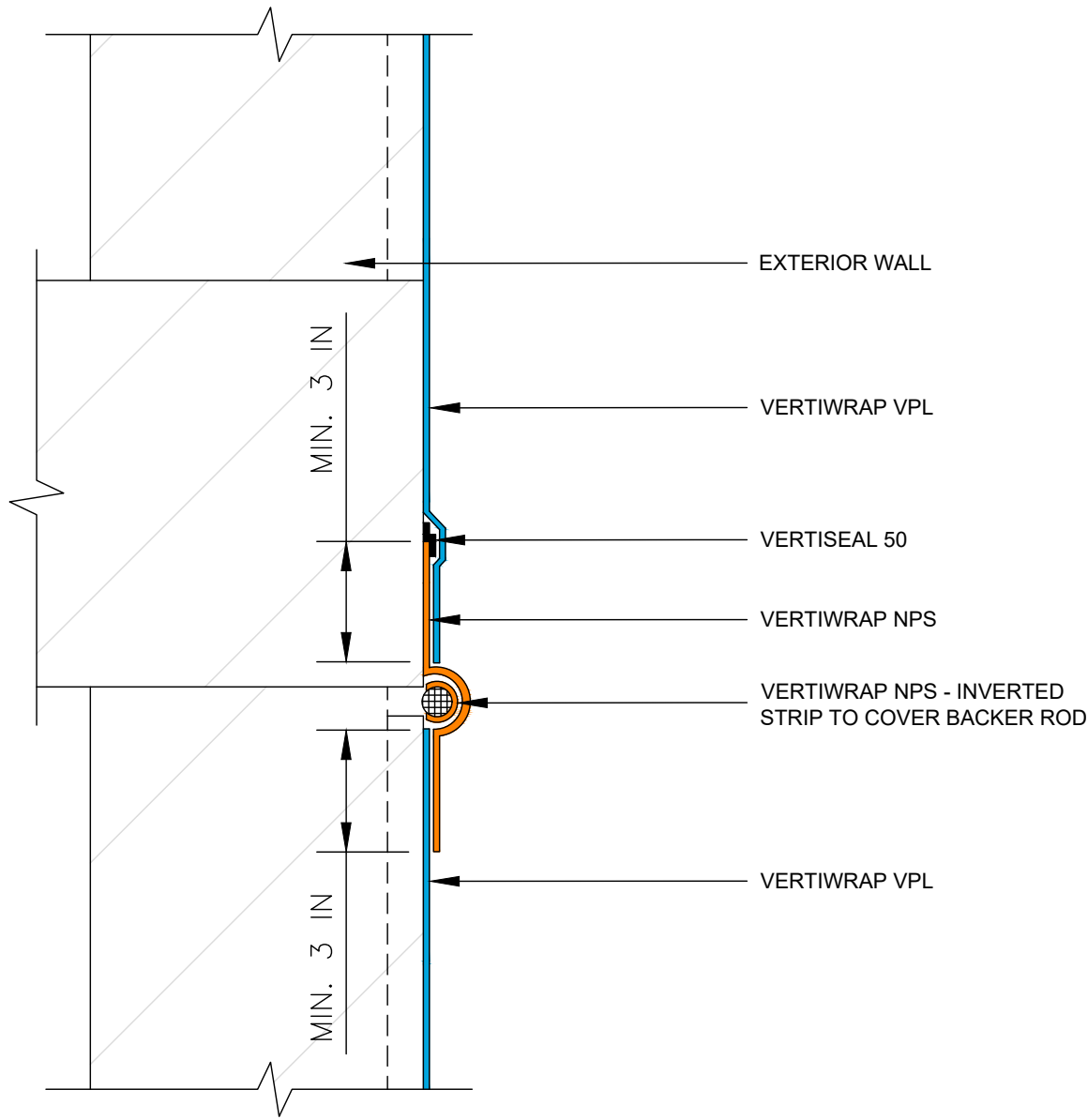
DETAIL IS INTENDED TO BE A GUIDE FOR AIR BARRIER INSTALLATION ONLY.

SUPERCEDES:
00/00/0000

DATE:
04/01/2023

SCALE:
NOT TO SCALE

DRAWING #:
VW-VPL-3D



NOTES:

1. THIS WALL ASSEMBLY MAY NOT BE SUITABLE FOR ALL CLIMATES/REGIONS. CONSULT A BUILDING SCIENCE PROFESSIONAL FOR ASSISTANCE WITH EXTERIOR WALL DESIGNS
2. INSTALL THE VERTIWRAP SYSTEM TO FORM A CONTINUOUS AIR AND WATER BARRIER
3. INSTALL PRODUCTS ACCORDING TO THEIR RESPECTIVE TECHNICAL DATA SHEETS AND APPLICATION INSTRUCTIONS

POLYGLASS

 polyglass.us
 1111 West Newport Center Drive
 Deerfield Beach, FL 33442
 Technical Service: (866) 794-9659
 technical@polyglass.com

VERTIWRAP VPL

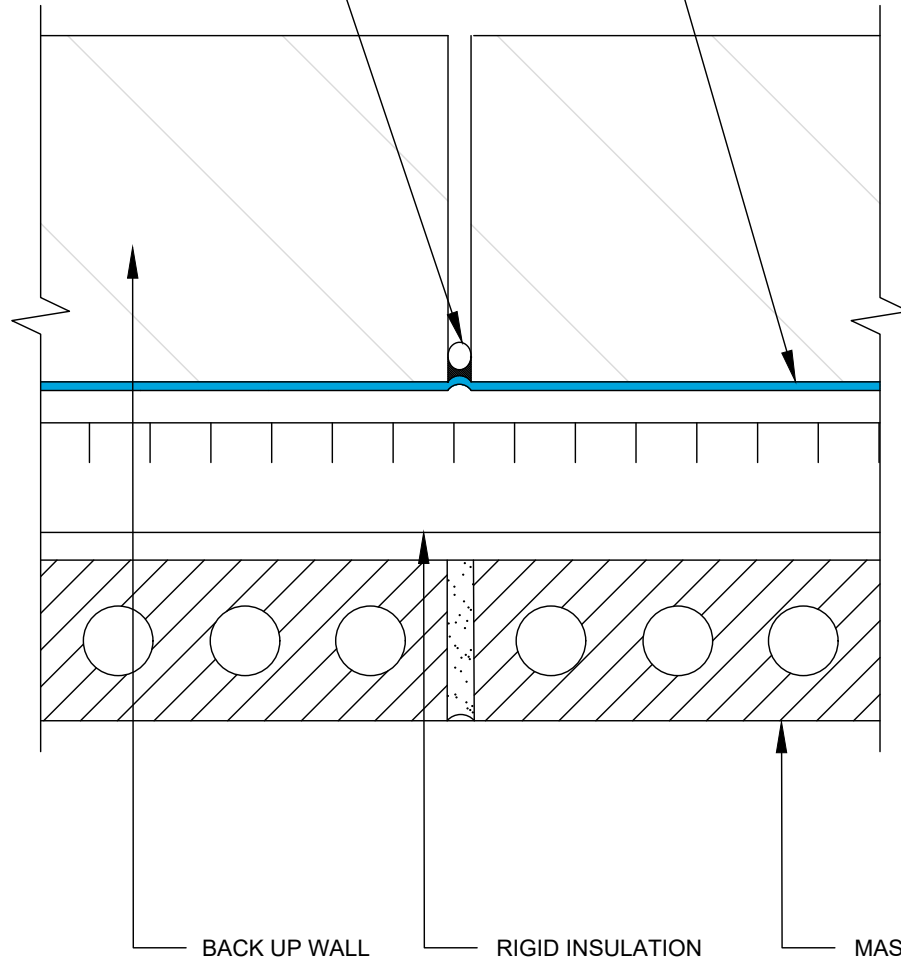
DEFLECTION JOINT

DETAIL IS INTENDED TO BE A GUIDE FOR AIR BARRIER INSTALLATION ONLY.

| | |
|--------------------|--------------|
| SUPERCEDES: | 00/00/0000 |
| DATE: | 04/01/2023 |
| SCALE: | NOT TO SCALE |
| DRAWING #: | VW-VPL-4A |

BACKER ROD AND COMPATIBLE SELANT

VERTIWRAP VPL



BACK UP WALL

RIGID INSULATION

MASONRY VENEER

NOTES:

1. THIS WALL ASSEMBLY MAY NOT BE SUITABLE FOR ALL CLIMATES/REGIONS. CONSULT A BUILDING SCIENCE PROFESSIONAL FOR ASSISTANCE WITH EXTERIOR WALL DESIGNS
2. MAXIMUM JOINT WIDTH 1/2", WITH MAXIMUM 10% +/- MOVEMENT
3. INSTALL THE VERTIWRAP SYSTEM TO FORM A CONTINUOUS AIR AND WATER BARRIER
4. INSTALL PRODUCTS ACCORDING TO THEIR RESPECTIVE TECHNICAL DATA SHEETS AND APPLICATION INSTRUCTIONS

POLYGLASS



polyglass.us

1111 West Newport Center Drive
Deerfield Beach, FL 33442
Technical Service: (866) 794-9659
technical@polyglass.com

VERTIWRAP VPL

CONTROL JOINT

DETAIL IS INTENDED TO BE A GUIDE FOR AIR BARRIER INSTALLATION ONLY.

SUPERCEDES:

00/00/0000

DATE:

04/01/2023

SCALE:

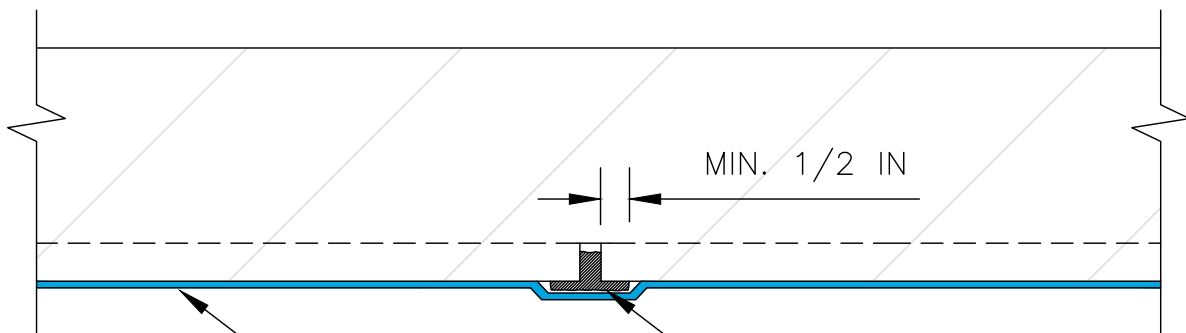
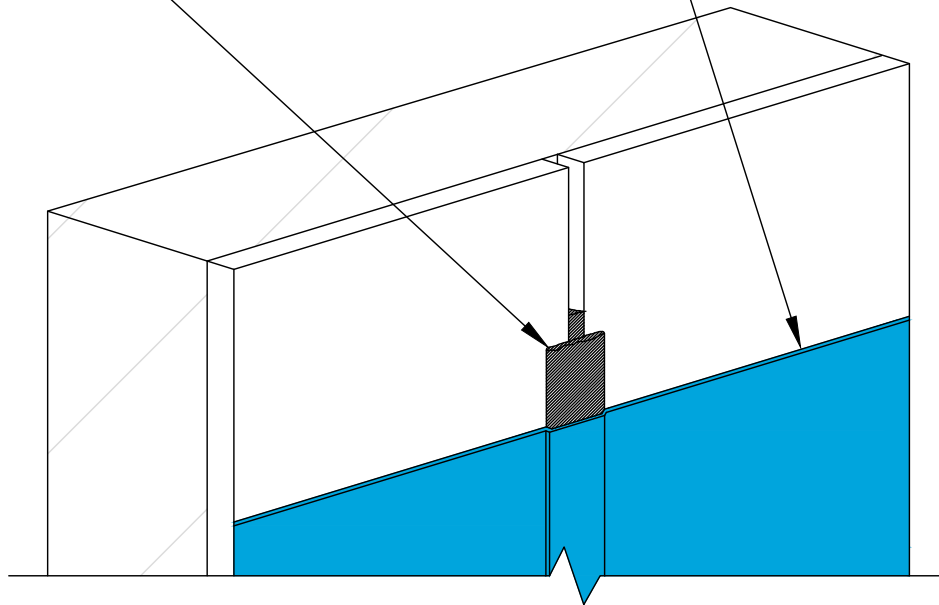
NOT TO SCALE

DRAWING #:

VW-VPL-4B

VERTISEAL 50 (FILL JOINT AND
EXTEND A MIN. OF 1/2 IN. ON EACH
SIDE OF JOINT)

VERTIWRAP VPL



VERTIWRAP VPL

VERTISEAL 50 (FILL JOINT AND
EXTEND A MIN. OF 1/2 IN. ON EACH
SIDE OF JOINT)

NOTES:

1. THIS WALL ASSEMBLY MAY NOT BE SUITABLE FOR ALL CLIMATES/REGIONS. CONSULT A BUILDING SCIENCE PROFESSIONAL FOR ASSISTANCE WITH EXTERIOR WALL DESIGNS
2. INSTALL THE VERTIWRAP SYSTEM TO FORM A CONTINUOUS AIR AND WATER BARRIER
3. INSTALL PRODUCTS ACCORDING TO THEIR RESPECTIVE TECHNICAL DATA SHEETS AND APPLICATION INSTRUCTIONS

POLYGLASS



polyglass.us

1111 West Newport Center Drive
Deerfield Beach, FL 33442
Technical Service: (866) 794-9659
technical@polyglass.com

VERTIWRAP VPL

SHEATHING JOINT TREATMENT

DETAIL IS INTENDED TO BE A GUIDE FOR AIR BARRIER INSTALLATION ONLY.

SUPERCEDES:

00/00/0000

DATE:

04/01/2023

SCALE:

NOT TO SCALE

DRAWING #:

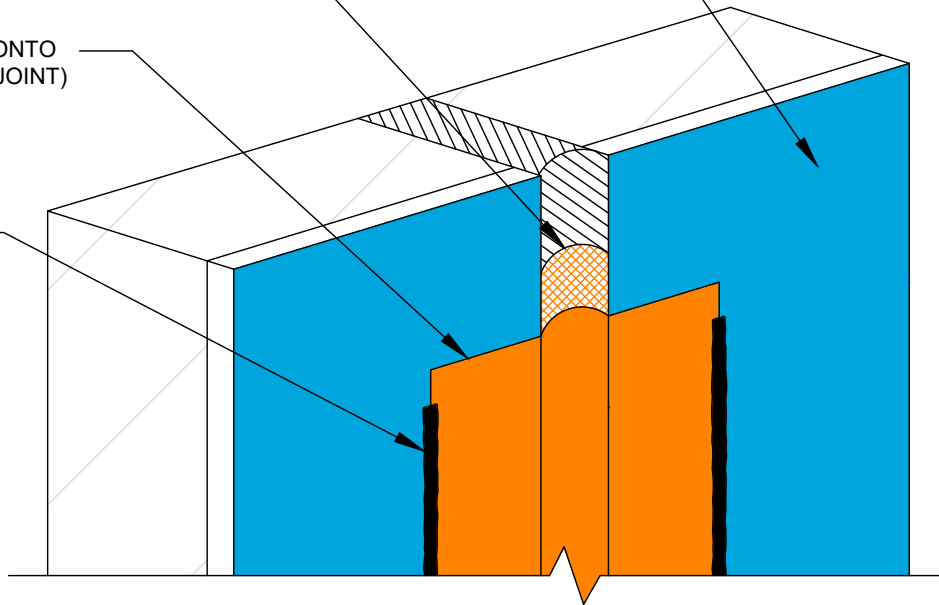
VW-VPL-4C

VERTIWRAP NPS INVERTED STRIP
(TWICE THE WIDTH OF THE JOINT)

VERTIWRAP VPL

VERTIWRAP NPS
(EXTEND MIN. 4 IN. ONTO
EACH SIDE OF THE JOINT)

VERTISEAL 50



VERTIWRAP NPS
INVERTED STRIP

MAX. 4 IN

MIN. 4 IN

VERTIWRAP VPL

VERTISEAL 50

VERTIWRAP NPS

NOTES:

1. THIS WALL ASSEMBLY MAY NOT BE SUITABLE FOR ALL CLIMATES/REGIONS. CONSULT A BUILDING SCIENCE PROFESSIONAL FOR ASSISTANCE WITH EXTERIOR WALL DESIGNS
2. INSTALL THE VERTIWRAP SYSTEM TO FORM A CONTINUOUS AIR AND WATER BARRIER
3. VERTIWRAP NPS INVERTED STRIP TO BE TWICE THE WIDTH OF THE JOINT
4. MAXIMUM JOINT WIDTH 4 IN., CAPABLE OF 50% +/- MOVEMENT IN COMPRESSION AND ELONGATION. FOR JOINTS LARGER THAN 4 IN. OR POTENTIAL FOR DIFFERENTIAL MOVEMENT CONSULT POLYGLASS
5. INSTALL PRODUCTS ACCORDING TO THEIR RESPECTIVE TECHNICAL DATA SHEETS AND APPLICATION INSTRUCTIONS

POLYGLASS



polyglass.us

1111 West Newport Center Drive
Deerfield Beach, FL 33442
Technical Service: (866) 794-9659
technical@polyglass.com

VERTIWRAP VPL

EXPANSION JOINT

DETAIL IS INTENDED TO BE A GUIDE FOR AIR BARRIER INSTALLATION ONLY.

SUPERCEDES:

00/00/0000

DATE:

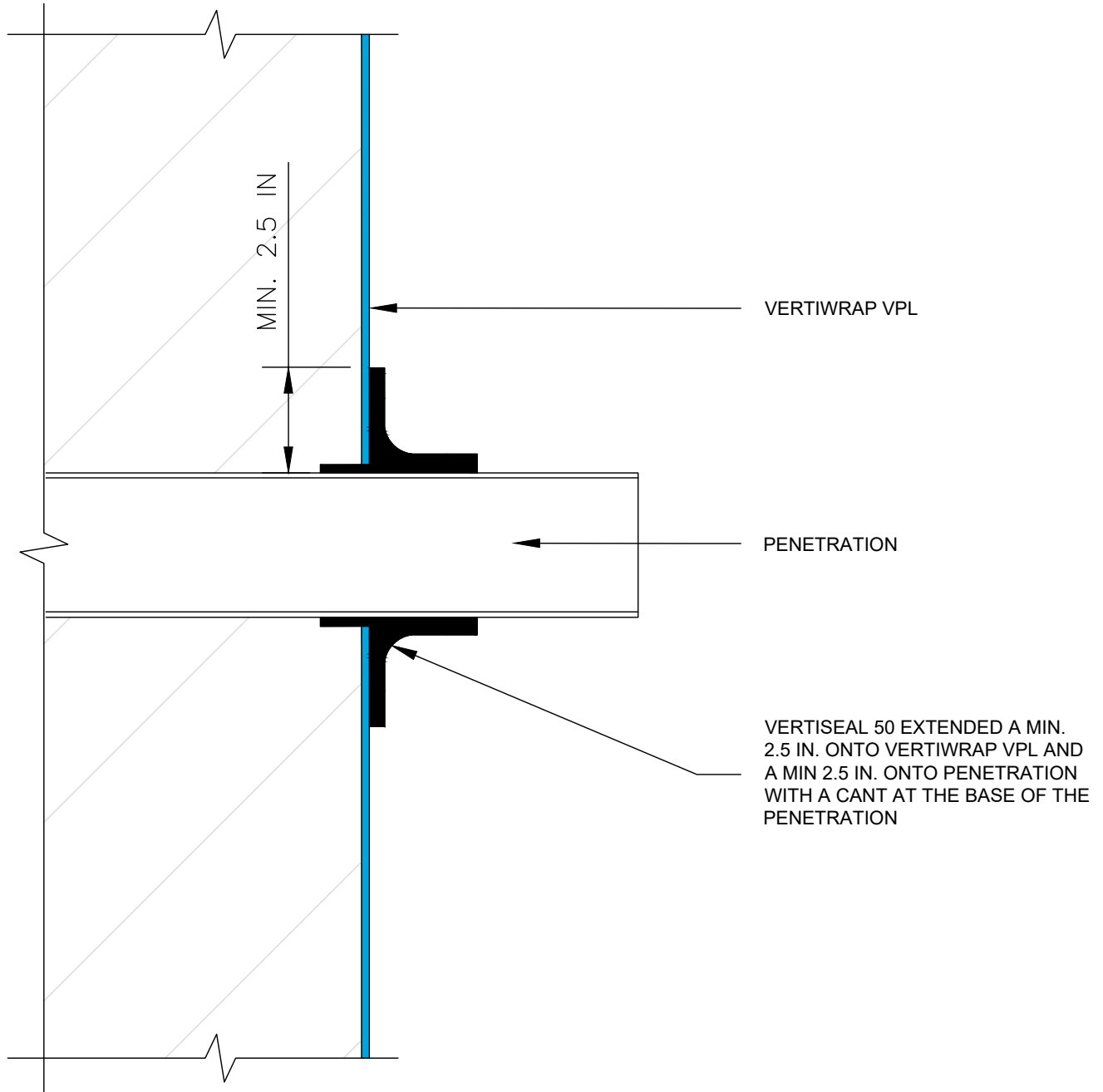
04/01/2023

SCALE:

NOT TO SCALE

DRAWING #:

VW-VPL-4D



NOTES:

1. THIS WALL ASSEMBLY MAY NOT BE SUITABLE FOR ALL CLIMATES/REGIONS. CONSULT A BUILDING SCIENCE PROFESSIONAL FOR ASSISTANCE WITH EXTERIOR WALL DESIGNS
2. INSTALL THE VERTIWRAP SYSTEM TO FORM A CONTINUOUS AIR AND WATER BARRIER
3. INSTALL PRODUCTS ACCORDING TO THEIR RESPECTIVE TECHNICAL DATA SHEETS AND APPLICATION INSTRUCTIONS

POLYGLASS



polyglass.us

1111 West Newport Center Drive
Deerfield Beach, FL 33442
Technical Service: (866) 794-9659
technical@polyglass.com

VERTIWRAP VPL

PENETRATION

DETAIL IS INTENDED TO BE A GUIDE FOR AIR BARRIER INSTALLATION ONLY.

SUPERCEDES:

00/00/0000

DATE:

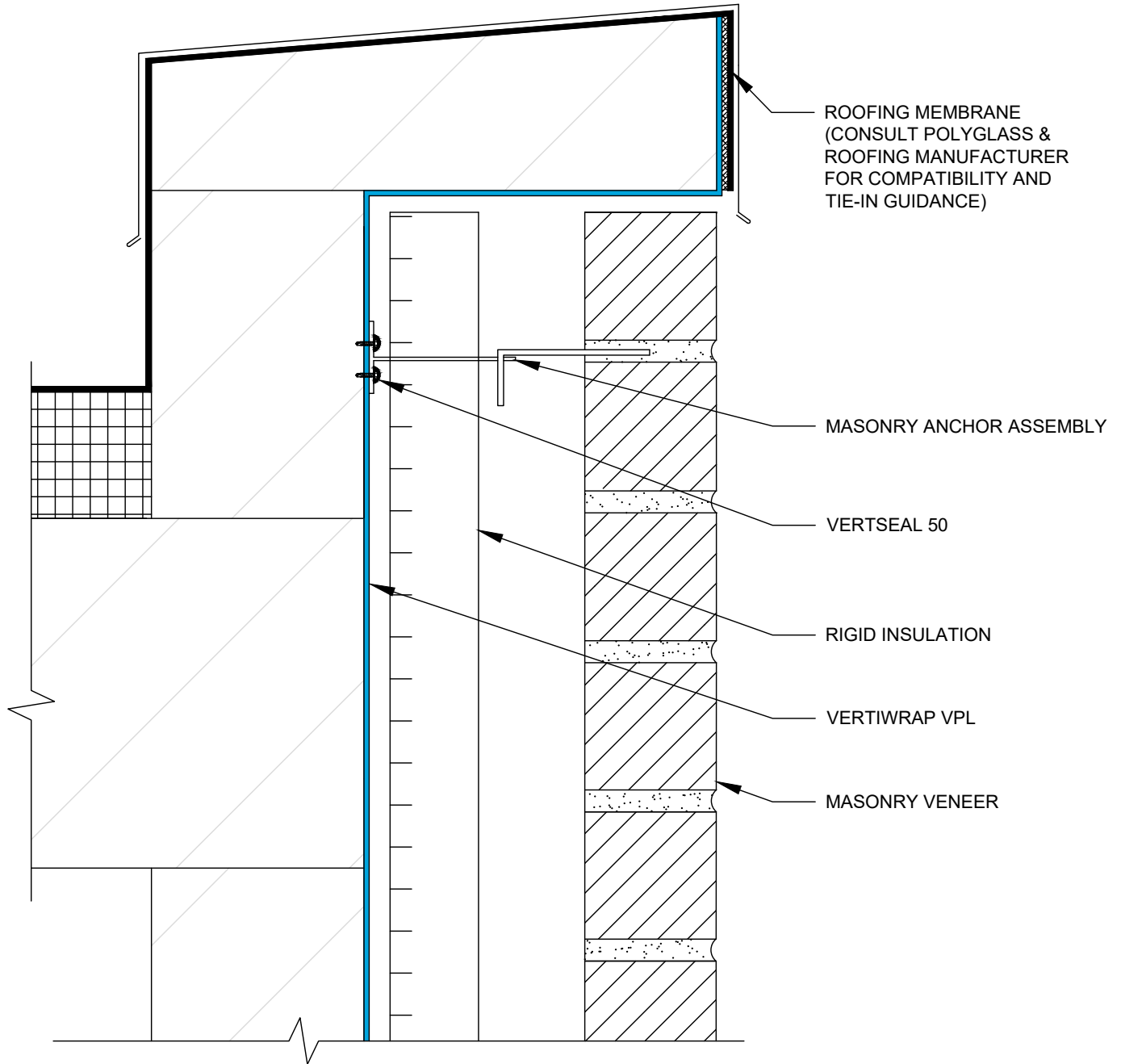
04/01/2023

SCALE:

NOT TO SCALE

DRAWING #:

VW-VPL-5A



ROOFING MEMBRANE
(CONSULT POLYGLASS &
ROOFING MANUFACTURER
FOR COMPATIBILITY AND
TIE-IN GUIDANCE)

MASONRY ANCHOR ASSEMBLY

VERTSEAL 50

RIGID INSULATION

VERTIWRAP VPL

MASONRY VENEER

NOTES:

1. THIS WALL ASSEMBLY MAY NOT BE SUITABLE FOR ALL CLIMATES/REGIONS. CONSULT A BUILDING SCIENCE PROFESSIONAL FOR ASSISTANCE WITH EXTERIOR WALL DESIGNS
2. INSTALL THE VERTIWRAP SYSTEM TO FORM A CONTINUOUS AIR AND WATER BARRIER
3. INSTALL PRODUCTS ACCORDING TO THEIR RESPECTIVE TECHNICAL DATA SHEETS AND APPLICATION INSTRUCTIONS

POLYGLASS



polyglass.us

1111 West Newport Center Drive
Deerfield Beach, FL 33442
Technical Service: (866) 794-9659
technical@polyglass.com

VERTIWRAP VPL

PARAPET

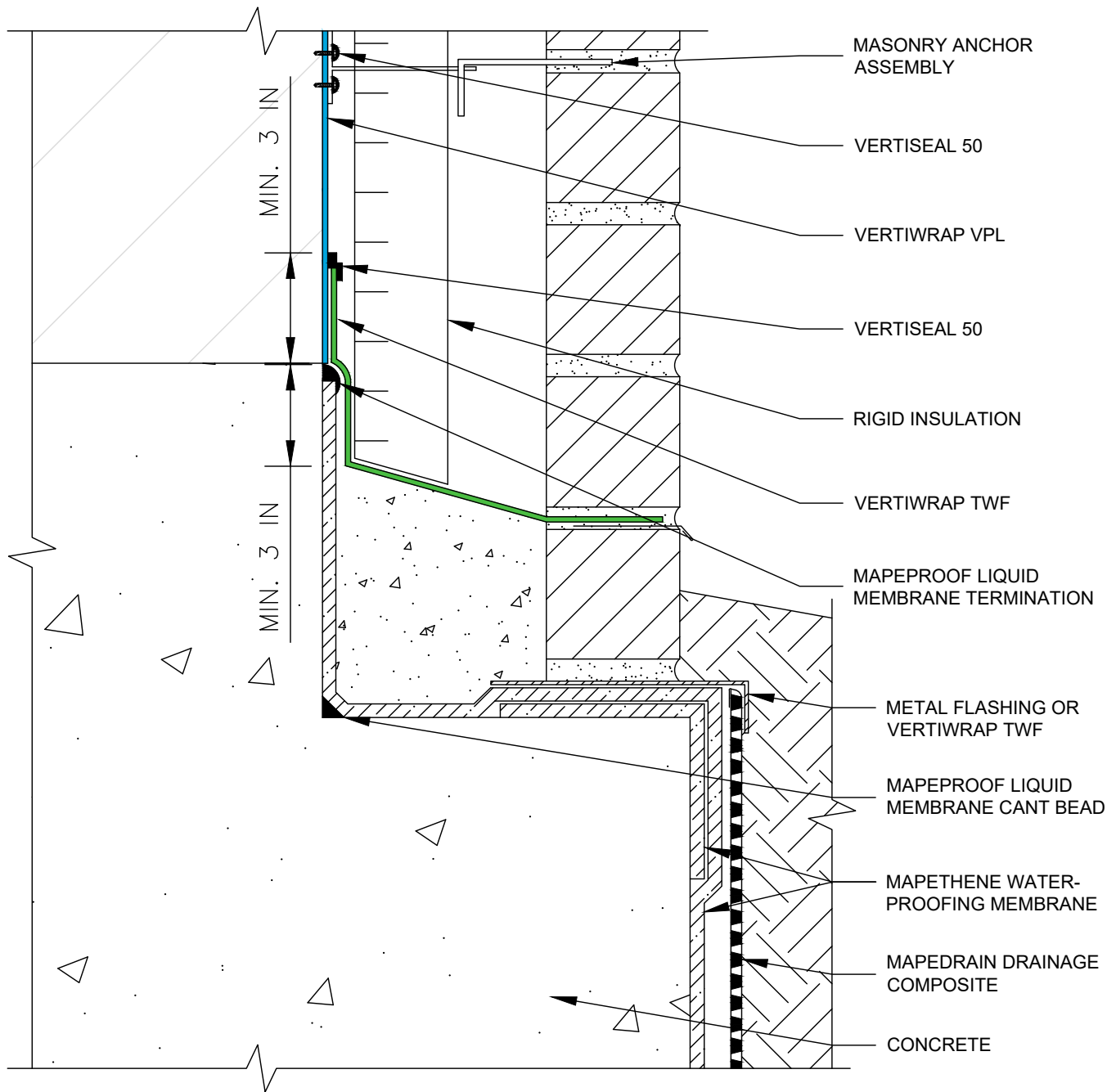
DETAIL IS INTENDED TO BE A GUIDE FOR AIR BARRIER INSTALLATION ONLY.

SUPERCEDES:
00/00/0000

DATE:
04/01/2023

SCALE:
NOT TO SCALE

DRAWING #:
VW-VPL-6A



NOTES:

1. THIS WALL ASSEMBLY MAY NOT BE SUITABLE FOR ALL CLIMATES/REGIONS. CONSULT A BUILDING SCIENCE PROFESSIONAL FOR ASSISTANCE WITH EXTERIOR WALL DESIGNS
2. INSTALL THE VERTIWRAP SYSTEM TO FORM A CONTINUOUS AIR AND WATER BARRIER
3. INSTALL PRODUCTS ACCORDING TO THEIR RESPECTIVE TECHNICAL DATA SHEETS AND APPLICATION INSTRUCTIONS

POLYGLASS



polyglass.us

1111 West Newport Center Drive
 Deerfield Beach, FL 33442
 Technical Service: (866) 794-9659
technical@polyglass.com

VERTIWRAP VPL

**BASE OF WALL
 TRANSITION TO MAPETHENE**

DETAIL IS INTENDED TO BE A GUIDE FOR AIR BARRIER INSTALLATION ONLY.

SUPERCEDES:

00/00/0000

DATE:

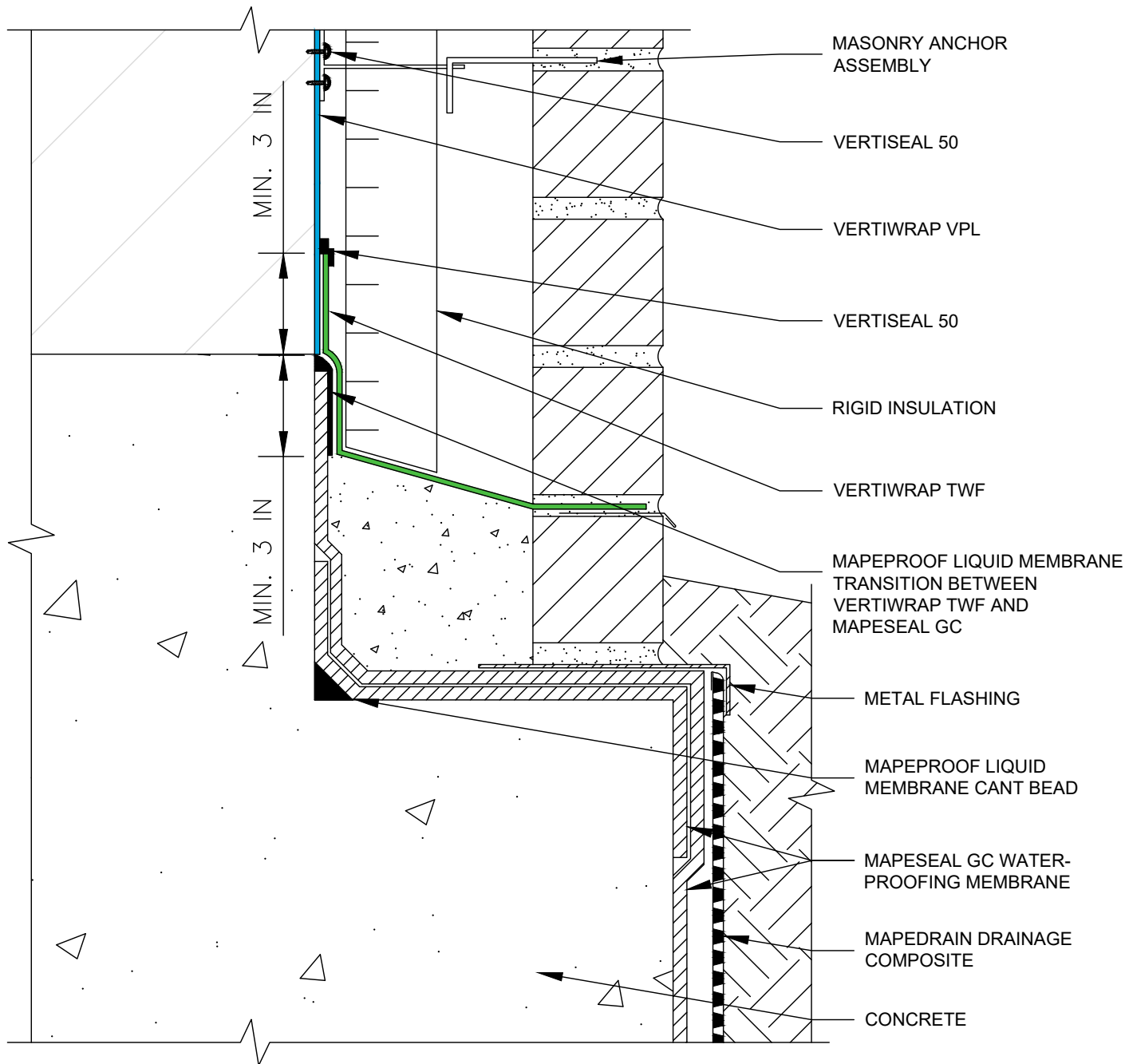
04/01/2023

SCALE:

NOT TO SCALE

DRAWING #:

VW-VPL-7A



NOTES:

1. THIS WALL ASSEMBLY MAY NOT BE SUITABLE FOR ALL CLIMATES/REGIONS. CONSULT A BUILDING SCIENCE PROFESSIONAL FOR ASSISTANCE WITH EXTERIOR WALL DESIGNS
2. INSTALL THE VERTIWRAP SYSTEM TO FORM A CONTINUOUS AIR AND WATER BARRIER
3. INSTALL PRODUCTS ACCORDING TO THEIR RESPECTIVE TECHNICAL DATA SHEETS AND APPLICATION INSTRUCTIONS

POLYGLASS



polyglass.us

1111 West Newport Center Drive
Deerfield Beach, FL 33442
Technical Service: (866) 794-9659
technical@polyglass.com

VERTIWRAP VPL

**BASE OF WALL
TRANSITION TO MAPESEAL GC**

DETAIL IS INTENDED TO BE A GUIDE FOR AIR BARRIER INSTALLATION ONLY.

SUPERCEDES:

04/01/2023

DATE:

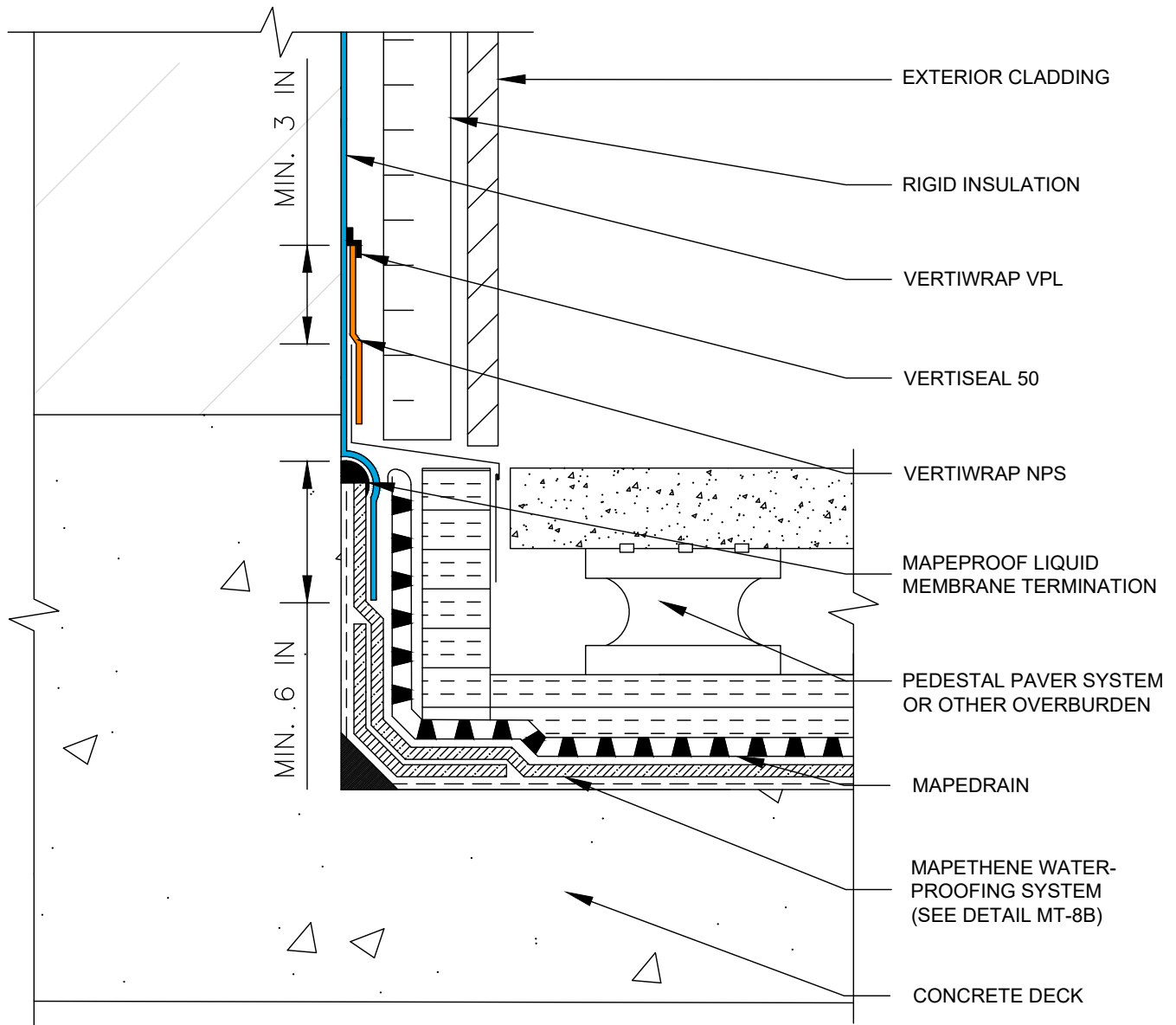
06/13/2023

SCALE:

NOT TO SCALE

DRAWING #:

VW-VPL-7B



NOTES:

1. THIS WALL ASSEMBLY MAY NOT BE SUITABLE FOR ALL CLIMATES/REGIONS. CONSULT A BUILDING SCIENCE PROFESSIONAL FOR ASSISTANCE WITH EXTERIOR WALL DESIGNS
2. INSTALL THE VERTIWRAP SYSTEM TO FORM A CONTINUOUS AIR AND WATER BARRIER
3. INSTALL PRODUCTS ACCORDING TO THEIR RESPECTIVE TECHNICAL DATA SHEETS AND APPLICATION INSTRUCTIONS

POLYGLASS



polyglass.us

1111 West Newport Center Drive
 Deerfield Beach, FL 33442
 Technical Service: (866) 794-9659
 technical@polyglass.com

VERTIWRAP VPL

**DECK TO WALL
 TRANSITION TO MAPETHENE**

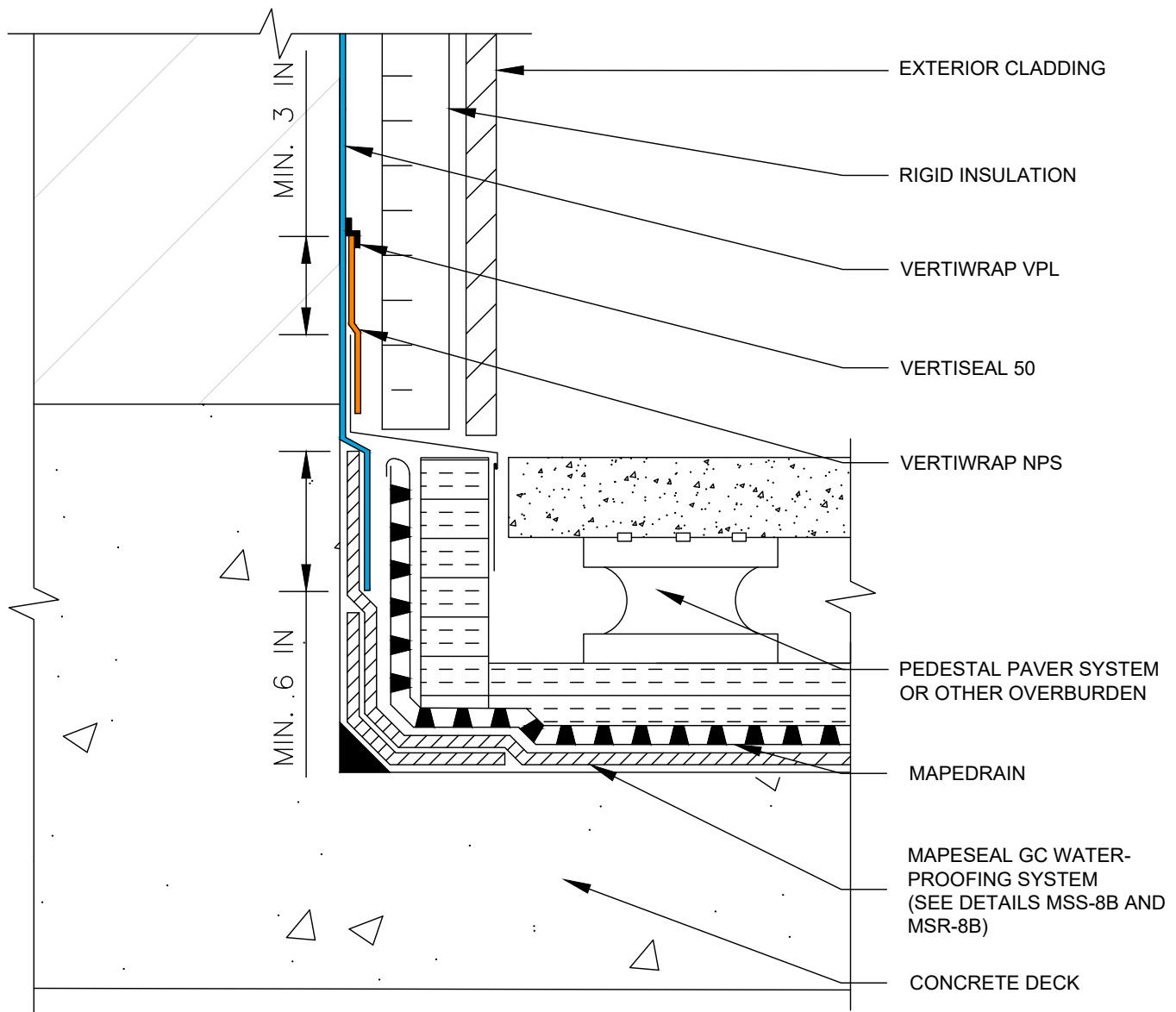
DETAIL IS INTENDED TO BE A GUIDE FOR AIR BARRIER INSTALLATION ONLY.

SUPERCEDES:
00/00/0000

DATE:
04/01/2023

SCALE:
NOT TO SCALE

DRAWING #:
VW-VPL-7C



NOTES:

1. THIS WALL ASSEMBLY MAY NOT BE SUITABLE FOR ALL CLIMATES/REGIONS. CONSULT A BUILDING SCIENCE PROFESSIONAL FOR ASSISTANCE WITH EXTERIOR WALL DESIGNS
2. INSTALL THE VERTIWRAP SYSTEM TO FORM A CONTINUOUS AIR AND WATER BARRIER
3. INSTALL PRODUCTS ACCORDING TO THEIR RESPECTIVE TECHNICAL DATA SHEETS AND APPLICATION INSTRUCTIONS

POLYGLASS



polyglass.us

1111 West Newport Center Drive
Deerfield Beach, FL 33442
Technical Service: (866) 794-9659
technical@polyglass.com

VERTIWRAP VPL

**DECK TO WALL
TRANSITION TO MAPESEAL GC**

DETAIL IS INTENDED TO BE A GUIDE FOR AIR BARRIER INSTALLATION ONLY.

SUPERCEDES:

04/01/2023

DATE:

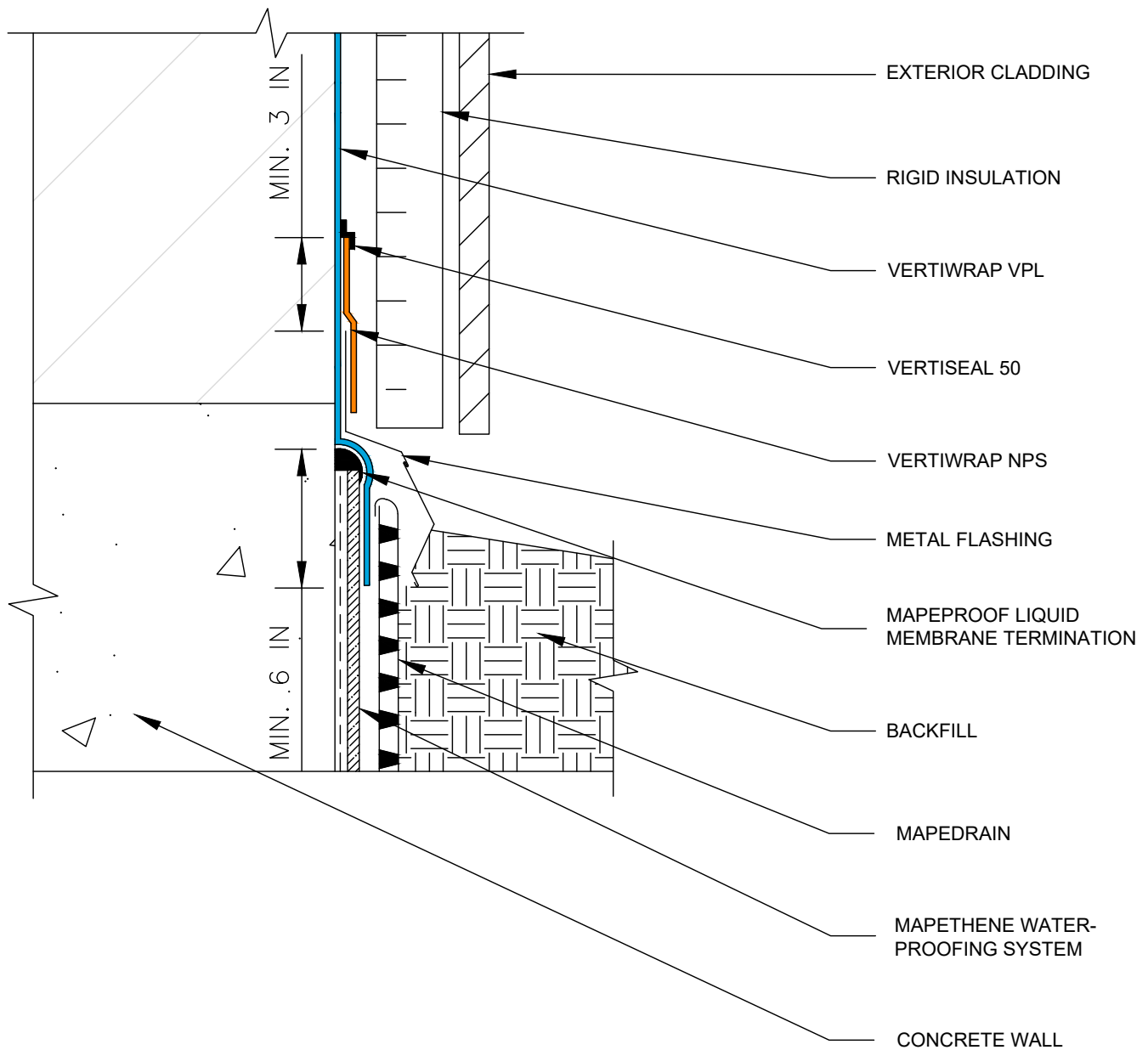
06/13/2023

SCALE:

NOT TO SCALE

DRAWING #:

VW-VPL-7D



NOTES:

1. THIS WALL ASSEMBLY MAY NOT BE SUITABLE FOR ALL CLIMATES/REGIONS. CONSULT A BUILDING SCIENCE PROFESSIONAL FOR ASSISTANCE WITH EXTERIOR WALL DESIGNS
2. INSTALL THE VERTIWRAP SYSTEM TO FORM A CONTINUOUS AIR AND WATER BARRIER
3. INSTALL PRODUCTS ACCORDING TO THEIR RESPECTIVE TECHNICAL DATA SHEETS AND APPLICATION INSTRUCTIONS

POLYGLASS



polyglass.us

1111 West Newport Center Drive
Deerfield Beach, FL 33442
Technical Service: (866) 794-9659
technical@polyglass.com

VERTIWRAP VPL

**AT GRADE
TRANSITION TO MAPETHENE**

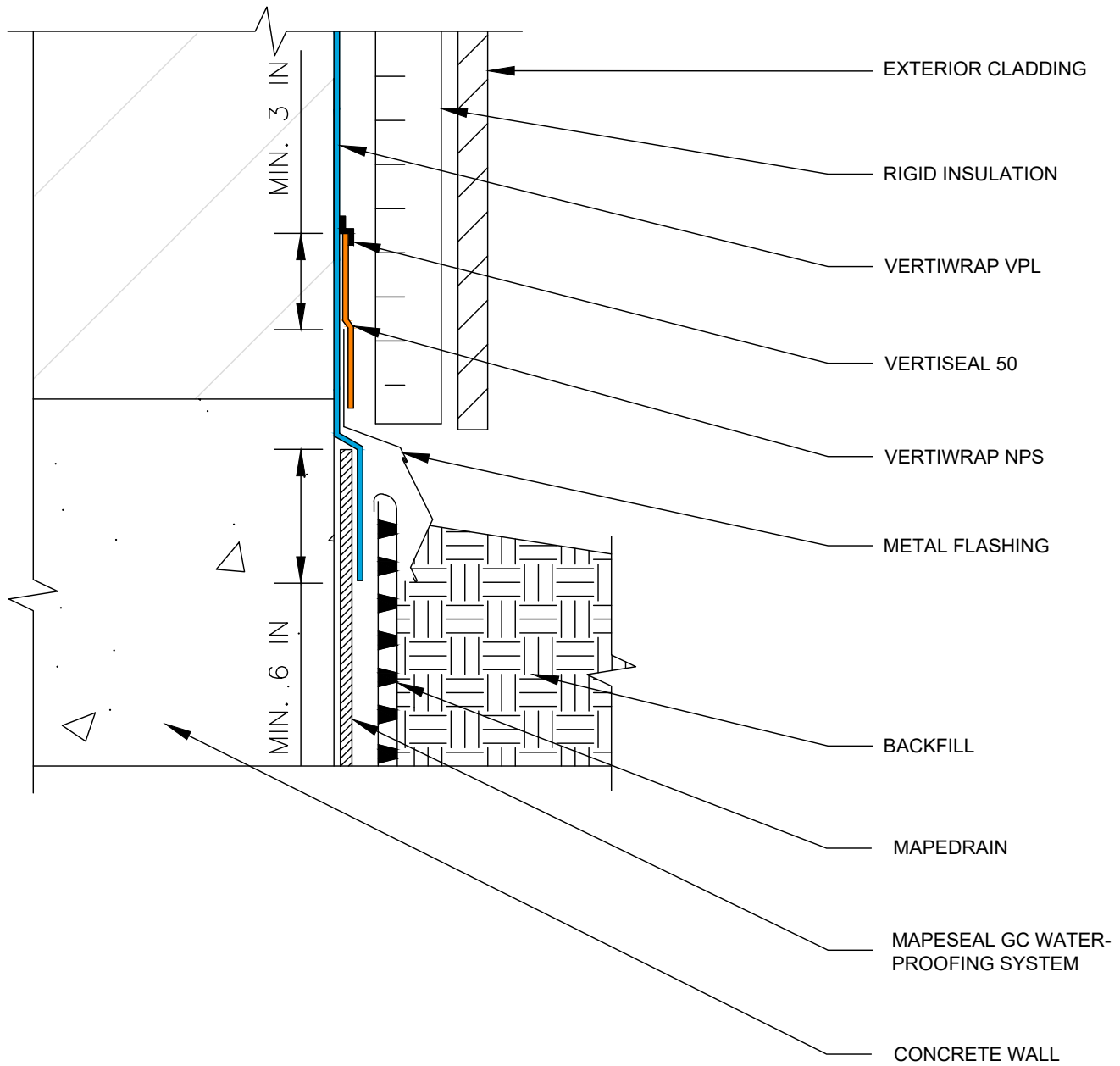
DETAIL IS INTENDED TO BE A GUIDE FOR AIR BARRIER INSTALLATION ONLY.

SUPERCEDES:
00/00/0000

DATE:
04/01/2023

SCALE:
NOT TO SCALE

DRAWING #:
VW-VPL-7E



NOTES:

1. THIS WALL ASSEMBLY MAY NOT BE SUITABLE FOR ALL CLIMATES/REGIONS. CONSULT A BUILDING SCIENCE PROFESSIONAL FOR ASSISTANCE WITH EXTERIOR WALL DESIGNS
2. INSTALL THE VERTIWRAP SYSTEM TO FORM A CONTINUOUS AIR AND WATER BARRIER
3. INSTALL PRODUCTS ACCORDING TO THEIR RESPECTIVE TECHNICAL DATA SHEETS AND APPLICATION INSTRUCTIONS

POLYGLASS

 polyglass.us
 1111 West Newport Center Drive
 Deerfield Beach, FL 33442
 Technical Service: (866) 794-9659
 technical@polyglass.com

VERTIWRAP VPL

**AT GRADE
 TRANSITION TO MAPESEAL GC**

DETAIL IS INTENDED TO BE A GUIDE FOR AIR BARRIER INSTALLATION ONLY.

| | |
|--------------------|--------------|
| SUPERCEDES: | 04/01/2023 |
| DATE: | 06/13/2023 |
| SCALE: | NOT TO SCALE |
| DRAWING #: | VW-VPL-7F |