

VERTIWRAP NPS DRAWING LIST

WINDOW DETAILS

MASONRY CLADDING

VW-NPS-1A SILL DETAIL MASONRY CLADDING (OPTION-1)
VW-NPS-1B SILL DETAIL MASONRY CLADDING (OPTION-2)
VW-NPS-1C JAMB DETAIL MASONRY CLADDING (OPTION-1)
VW-NPS-1D JAMB DETAIL MASONRY CLADDING (OPTION-2)
VW-NPS-1E HEAD DETAIL MASONRY CLADDING (OPTION-1)
VW-NPS-1F HEAD DETAIL MASONRY CLADDING (OPTION-2)

NON-MASONRY CLADDING

VW-NPS-1G SILL DETAIL NON-MASONRY CLADDING (OPTION-1)
VW-NPS-1H SILL DETAIL NON-MASONRY CLADDING (OPTION-2)
VW-NPS-1I JAMB DETAIL NON-MASONRY CLADDING (OPTION-1)
VW-NPS-1J JAMB DETAIL NON-MASONRY CLADDING (OPTION-2)
VW-NPS-1K HEAD DETAIL NON-MASONRY CLADDING (OPTION-1)
VW-NPS-1L HEAD DETAIL NON-MASONRY CLADDING (OPTION-2)

VW-NPS-1M SELF-ADHERED WINDOW FLASHING
VW-NPS-1N VERTISEAL 50 FLASHING - ROUGH OPENING

FLOOR LINE DETAILS

VW-NPS-2A FLOOR LINE TRANSITION MASONRY CLADDING (OPTION-1)
VW-NPS-2B FLOOR LINE TRANSITION MASONRY CLADDING (OPTION-2)

CORNER DETAILS

VW-NPS-3A OUTSIDE CORNER (OPTION-1)
VW-NPS-3B OUTSIDE CORNER (OPTION-2)
VW-NPS-3C INSIDE CORNER (OPTION-1)
VW-NPS-3D INSIDE CORNER (OPTION-2)

JOINTS

VW-NPS-4A DEFLECTION JOINT
VW-NPS-4B CONTROL JOINT
VW-NPS-4C EXPANSION JOINT

PENETRATIONS

VW-NPS-5A PENETRATION

PARAPET

VW-NPS-6A PARAPET

TRANSITION TO WATERPROOFING

VW-NPS-7A BASE OF WALL TRANSITION TO MAPETHENE
VW-NPS-7B BASE OF WALL TRANSITION TO MAPESEAL GC
VW-NPS-7C DECK TO WALL TRANSITION TO MAPETHENE
VW-NPS-7D DECK TO WALL TRANSITION TO MAPESEAL GC
VW-NPS-7E AT GRADE TRANSITION TO MAPETHENE
VW-NPS-7F AT GRADE TRANSITION TO MAPESEAL GC

POLYGLASS



polyglass.us

1111 West Newport Center Drive
Deerfield Beach, FL 33442
Technical Service: (866) 794-9659
technical@polyglass.com

VERTIWRAP NPS

DETAIL DRAWING LIST

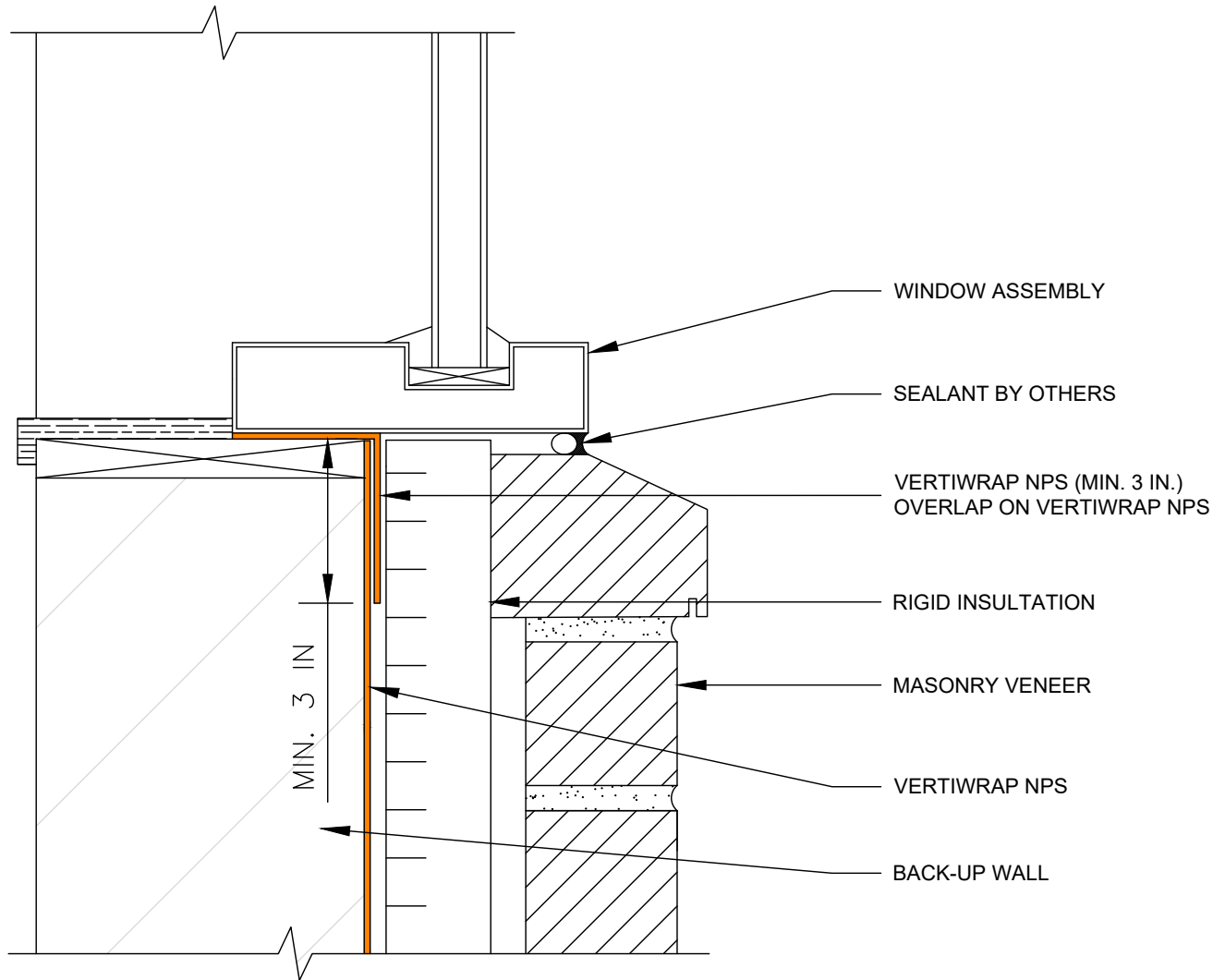
DETAIL IS INTENDED TO BE A GUIDE FOR AIR BARRIER INSTALLATION ONLY.

SUPERCEDES:
00/00/0000

DATE:
04/01/2023

SCALE:
NOT TO SCALE

DRAWING #:
VW-NPS-1



NOTES:

1. THIS WALL ASSEMBLY MAY NOT BE SUITABLE FOR ALL CLIMATES/REGIONS. CONSULT A BUILDING SCIENCE PROFESSIONAL FOR ASSISTANCE WITH EXTERIOR WALL DESIGNS
2. INSTALL THE VERTIWRAP SYSTEM TO FORM A CONTINUOUS AIR AND WATER BARRIER
3. VERTIWRAP NPS SHOULD EXTEND INTO THE WINDOW OPENING AT A DIMENSION PER THE PROJECT DESIGN
4. VERTIWRAP NPS FIELD MEMBRANE CAN BE BROUGHT INTO THE ROUGH OPENING IN ONE PIECE PROVIDED IT CAN BE SEQUENCED IN ORDER OF SILL, JAMBS AND HEAD
5. INSTALL PRODUCTS ACCORDING TO THEIR RESPECTIVE TECHNICAL DATA SHEETS AND APPLICATION INSTRUCTIONS

POLYGLASS



polyglass.us

1111 West Newport Center Drive
Deerfield Beach, FL 33442
Technical Service: (866) 794-9659
technical@polyglass.com

VERTIWRAP NPS

**WINDOW SILL
MASONRY CLADDING (OPTION-1)**

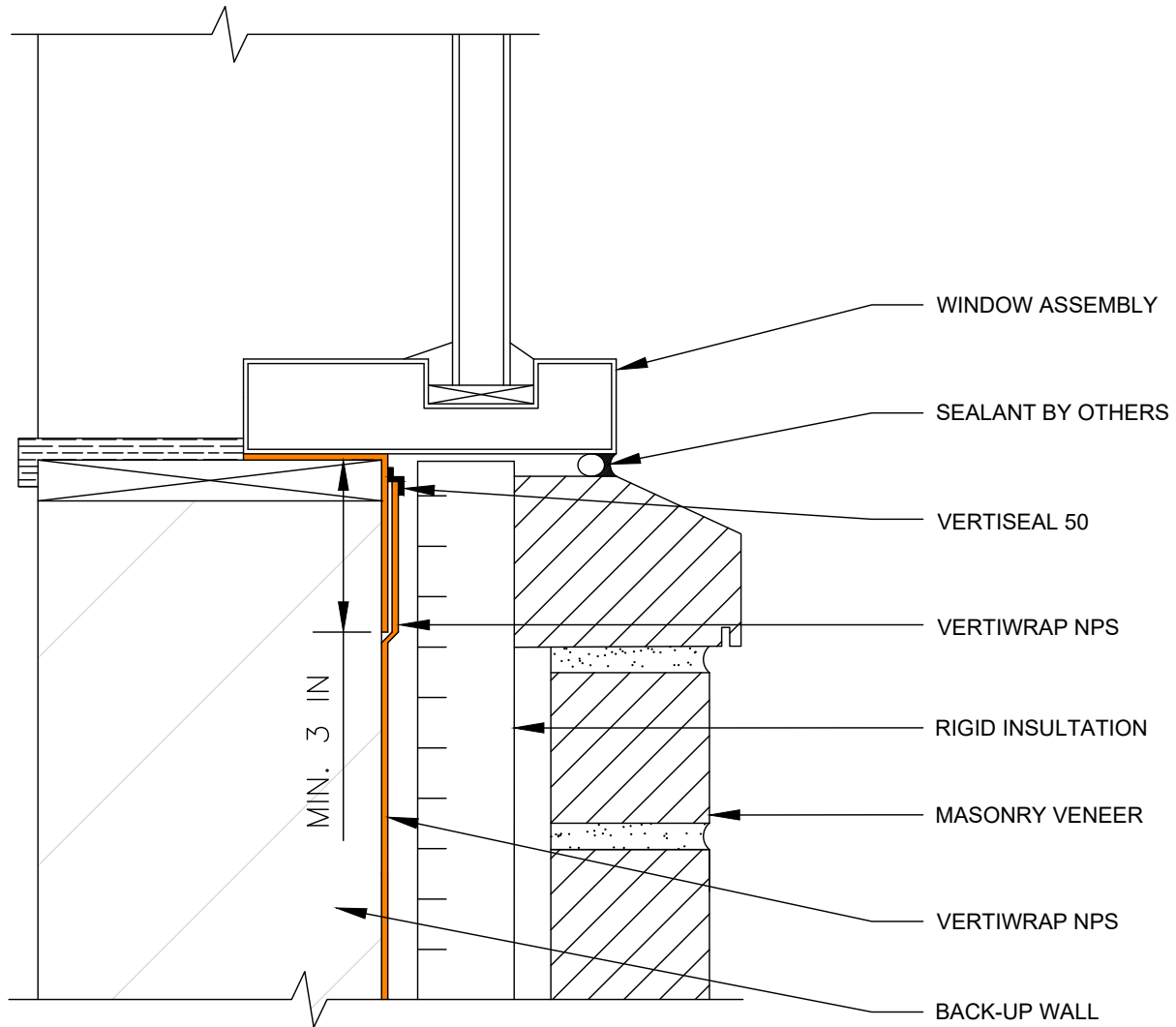
DETAIL IS INTENDED TO BE A GUIDE FOR AIR BARRIER INSTALLATION ONLY.

SUPERCEDES:
00/00/0000

DATE:
04/01/2023

SCALE:
NOT TO SCALE

DRAWING #:
VW-NPS-1A



NOTES:

1. THIS WALL ASSEMBLY MAY NOT BE SUITABLE FOR ALL CLIMATES/REGIONS. CONSULT A BUILDING SCIENCE PROFESSIONAL FOR ASSISTANCE WITH EXTERIOR WALL DESIGNS
2. INSTALL THE VERTIWRAP SYSTEM TO FORM A CONTINUOUS AIR AND WATER BARRIER
3. VERTIWRAP NPS SHOULD EXTEND INTO THE WINDOW OPENING AT A DIMENSION PER THE PROJECT DESIGN
4. VERTIWRAP NPS FIELD MEMBRANE CAN BE BROUGHT INTO THE ROUGH OPENING IN ONE PIECE PROVIDED IT CAN BE SEQUENCED IN ORDER OF SILL, JAMBS AND HEAD
5. INSTALL PRODUCTS ACCORDING TO THEIR RESPECTIVE TECHNICAL DATA SHEETS AND APPLICATION INSTRUCTIONS

POLYGLASS



polyglass.us

1111 West Newport Center Drive
Deerfield Beach, FL 33442
Technical Service: (866) 794-9659
technical@polyglass.com

VERTIWRAP NPS

**WINDOW SILL
MASONRY CLADDING (OPTION-2)**

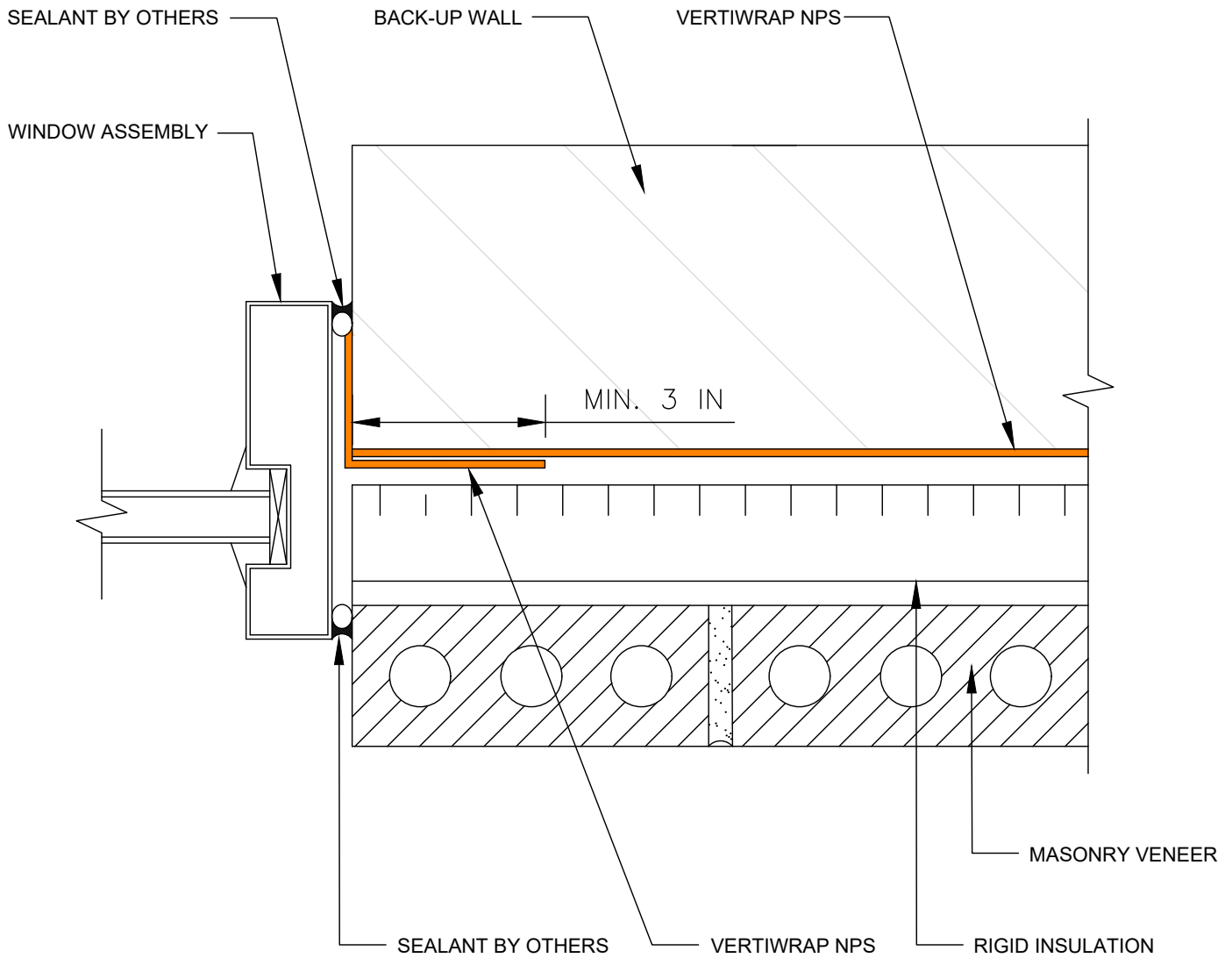
DETAIL IS INTENDED TO BE A GUIDE FOR AIR BARRIER INSTALLATION ONLY.

SUPERCEDES:
00/00/0000

DATE:
04/01/2023

SCALE:
NOT TO SCALE

DRAWING #:
VW-NPS-1B



NOTES:

1. THIS WALL ASSEMBLY MAY NOT BE SUITABLE FOR ALL CLIMATES/REGIONS. CONSULT A BUILDING SCIENCE PROFESSIONAL FOR ASSISTANCE WITH EXTERIOR WALL DESIGNS
2. INSTALL THE VERTIWRAP SYSTEM TO FORM A CONTINUOUS AIR AND WATER BARRIER
3. VERTIWRAP NPS SHOULD EXTEND INTO THE WINDOW OPENING AT A DIMENSION PER THE PROJECT DESIGN
4. VERTIWRAP NPS FIELD MEMBRANE CAN BE BROUGHT INTO THE ROUGH OPENING IN ONE PIECE PROVIDED IT CAN BE SEQUENCED IN ORDER OF SILL, JAMBS AND HEAD
5. INSTALL PRODUCTS ACCORDING TO THEIR RESPECTIVE TECHNICAL DATA SHEETS AND APPLICATION INSTRUCTIONS

POLYGLASS



polyglass.us

1111 West Newport Center Drive
 Deerfield Beach, FL 33442
 Technical Service: (866) 794-9659
technical@polyglass.com

VERTIWRAP NPS

**WINDOW JAMB
 MASONRY CLADDING (OPTION-1)**

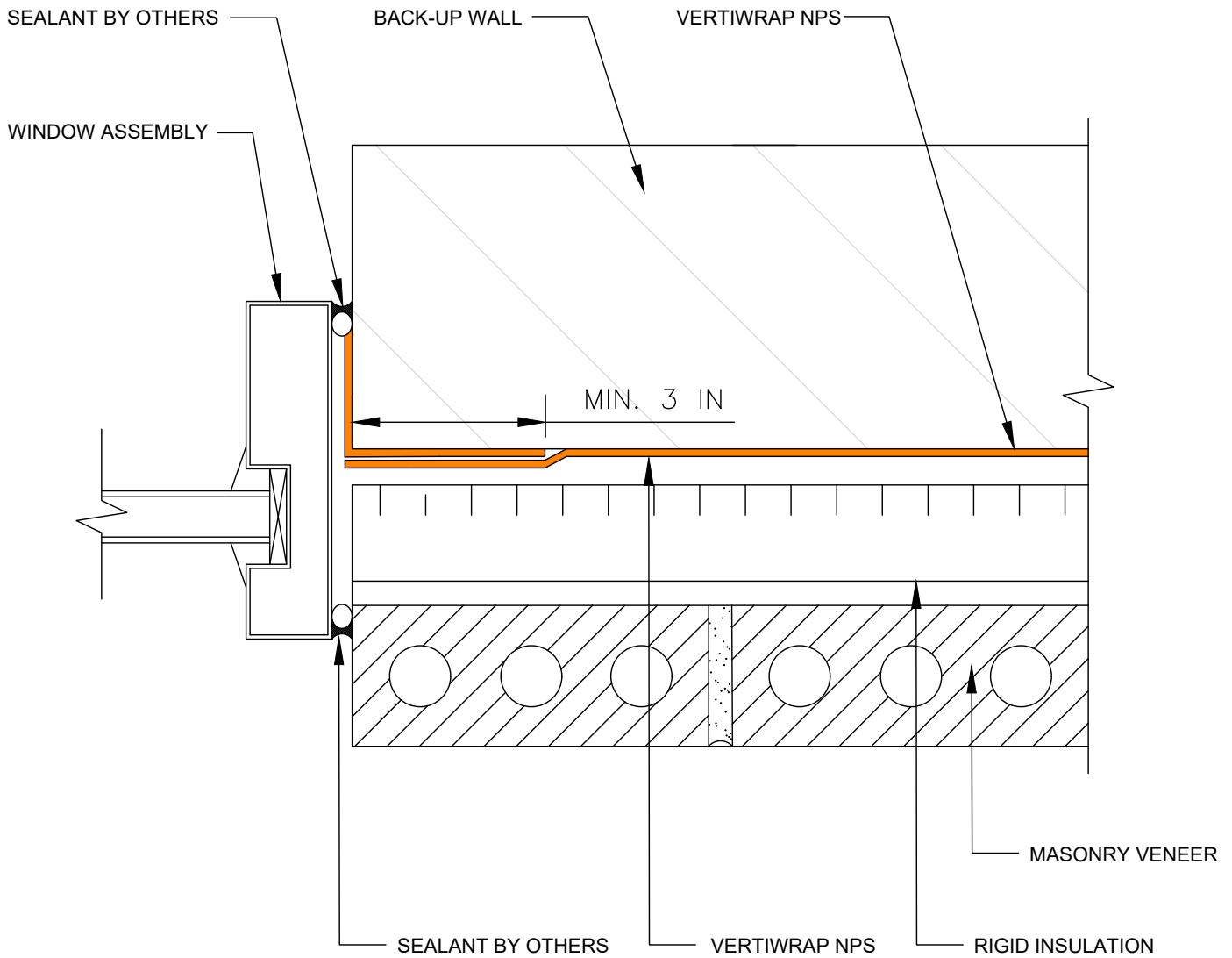
DETAIL IS INTENDED TO BE A GUIDE FOR AIR BARRIER INSTALLATION ONLY.

SUPERCEDES:
00/00/0000

DATE:
04/01/2023

SCALE:
NOT TO SCALE

DRAWING #:
VW-NPS-1C



NOTES:

1. THIS WALL ASSEMBLY MAY NOT BE SUITABLE FOR ALL CLIMATES/REGIONS. CONSULT A BUILDING SCIENCE PROFESSIONAL FOR ASSISTANCE WITH EXTERIOR WALL DESIGNS
2. INSTALL THE VERTIWRAP SYSTEM TO FORM A CONTINUOUS AIR AND WATER BARRIER
3. VERTIWRAP NPS SHOULD EXTEND INTO THE WINDOW OPENING AT A DIMENSION PER THE PROJECT DESIGN
4. VERTIWRAP NPS FIELD MEMBRANE CAN BE BROUGHT INTO THE ROUGH OPENING IN ONE PIECE PROVIDED IT CAN BE SEQUENCED IN ORDER OF SILL, JAMBS AND HEAD
5. INSTALL PRODUCTS ACCORDING TO THEIR RESPECTIVE TECHNICAL DATA SHEETS AND APPLICATION INSTRUCTIONS

POLYGLASS



polyglass.us

1111 West Newport Center Drive
Deerfield Beach, FL 33442
Technical Service: (866) 794-9659
technical@polyglass.com

VERTIWRAP NPS

**WINDOW JAMB
MASONRY CLADDING (OPTION-2)**

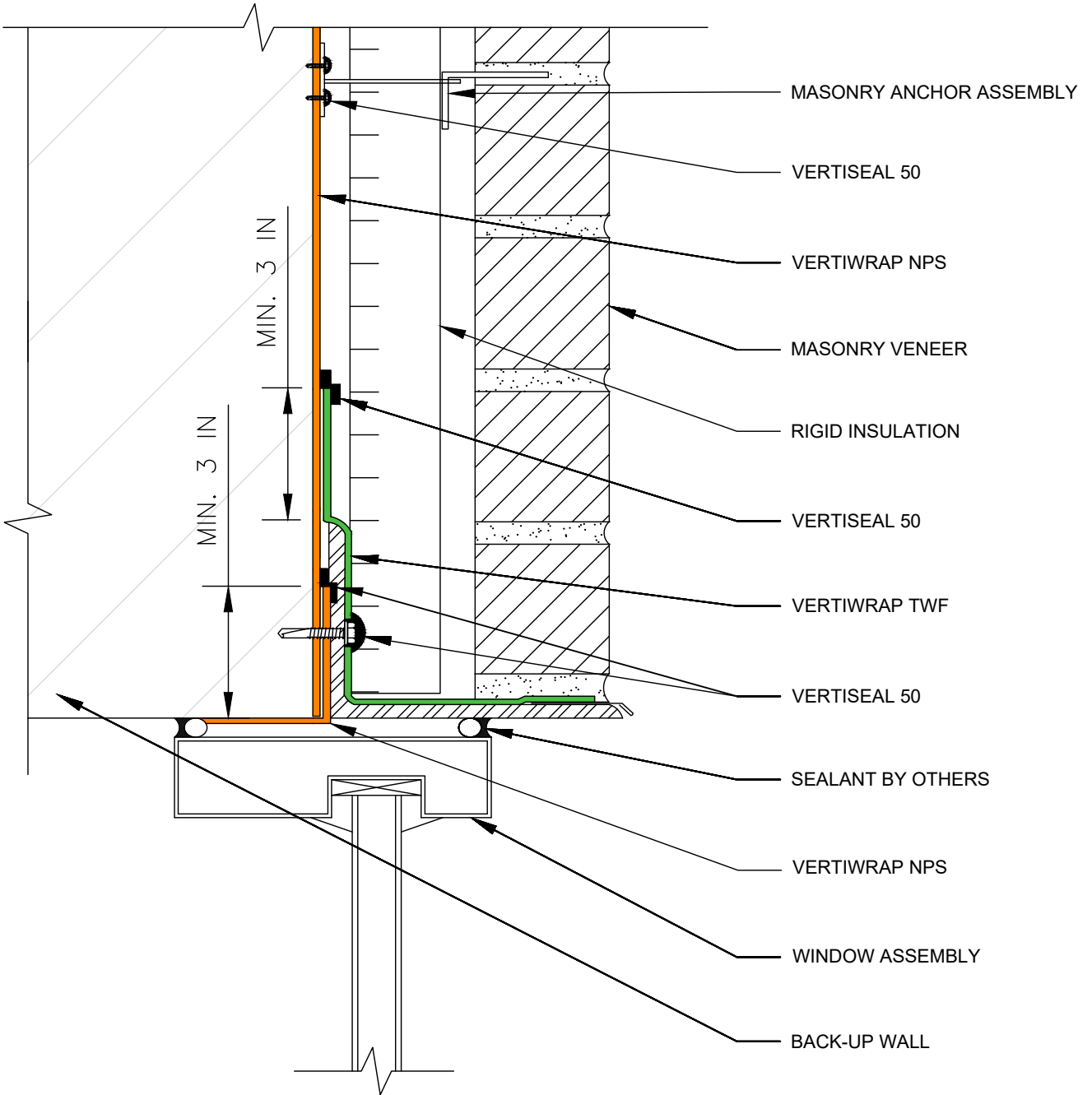
DETAIL IS INTENDED TO BE A GUIDE FOR AIR BARRIER INSTALLATION ONLY.

SUPERCEDES:
00/00/0000

DATE:
04/01/2023

SCALE:
NOT TO SCALE

DRAWING #:
VW-NPS-1D



NOTES:

1. THIS WALL ASSEMBLY MAY NOT BE SUITABLE FOR ALL CLIMATES/REGIONS. CONSULT A BUILDING SCIENCE PROFESSIONAL FOR ASSISTANCE WITH EXTERIOR WALL DESIGNS
2. INSTALL THE VERTIWRAP SYSTEM TO FORM A CONTINUOUS AIR AND WATER BARRIER
3. VERTIWRAP NPS SHOULD EXTEND INTO THE WINDOW OPENING AT A DIMENSION PER THE PROJECT DESIGN
4. VERTIWRAP NPS FIELD MEMBRANE CAN BE BROUGHT INTO THE ROUGH OPENING IN ONE PIECE PROVIDED IT CAN BE SEQUENCED IN ORDER OF SILL, JAMBS AND HEAD
5. INSTALL PRODUCTS ACCORDING TO THEIR RESPECTIVE TECHNICAL DATA SHEETS AND APPLICATION INSTRUCTIONS

POLYGLASS



polyglass.us

1111 West Newport Center Drive
Deerfield Beach, FL 33442
Technical Service: (866) 794-9659
technical@polyglass.com

VERTIWRAP NPS

**WINDOW HEAD
MASONRY CLADDING (OPTION-1)**

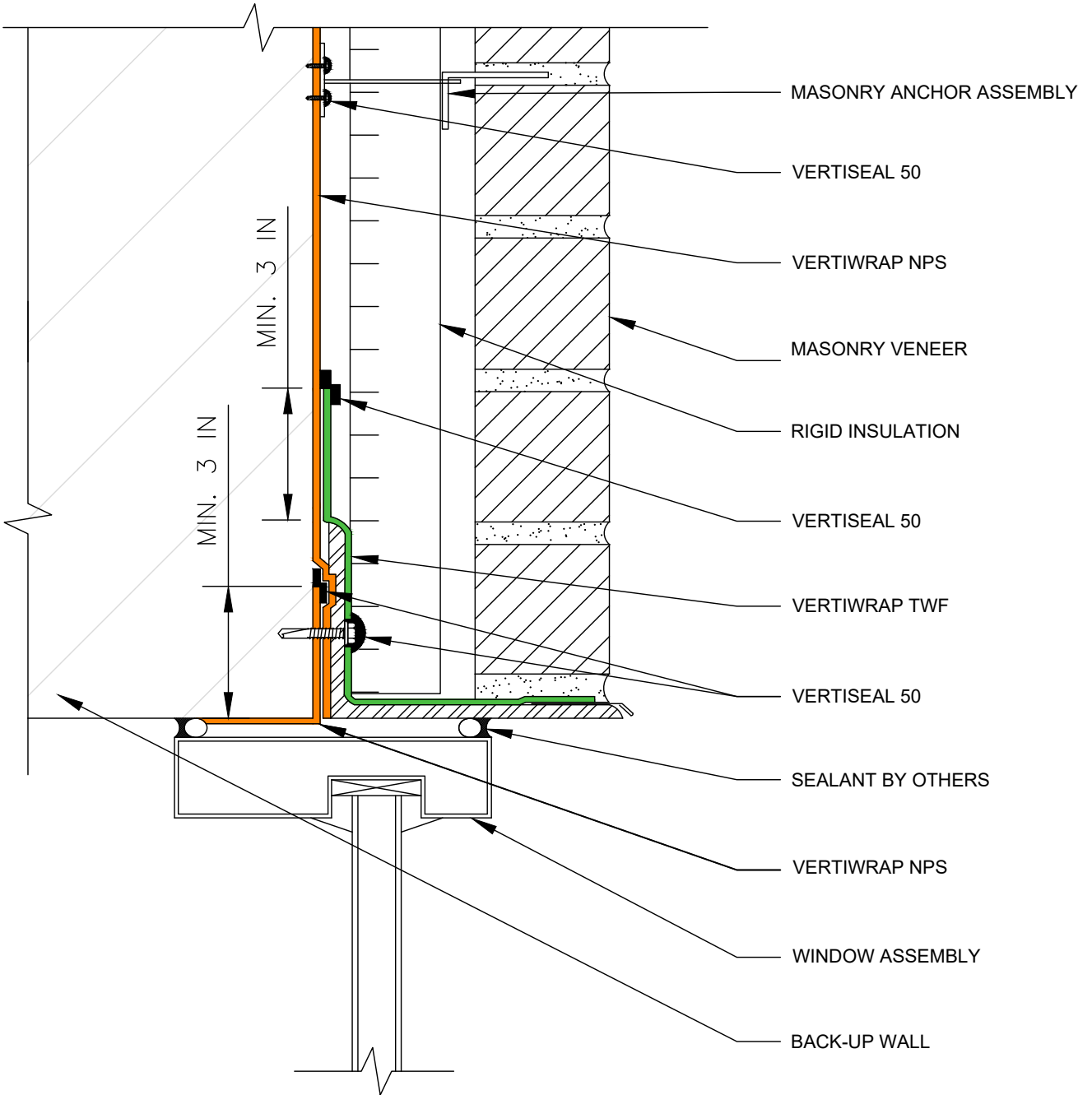
DETAIL IS INTENDED TO BE A GUIDE FOR AIR BARRIER INSTALLATION ONLY.

SUPERCEDES:
00/00/0000

DATE:
04/01/2023

SCALE:
NOT TO SCALE

DRAWING #:
VW-NPS-1E



NOTES:

1. THIS WALL ASSEMBLY MAY NOT BE SUITABLE FOR ALL CLIMATES/REGIONS. CONSULT A BUILDING SCIENCE PROFESSIONAL FOR ASSISTANCE WITH EXTERIOR WALL DESIGNS
2. INSTALL THE VERTIWRAP SYSTEM TO FORM A CONTINUOUS AIR AND WATER BARRIER
3. VERTIWRAP NPS SHOULD EXTEND INTO THE WINDOW OPENING AT A DIMENSION PER THE PROJECT DESIGN
4. VERTIWRAP NPS FIELD MEMBRANE CAN BE BROUGHT INTO THE ROUGH OPENING IN ONE PIECE PROVIDED IT CAN BE SEQUENCED IN ORDER OF SILL, JAMBS AND HEAD
5. INSTALL PRODUCTS ACCORDING TO THEIR RESPECTIVE TECHNICAL DATA SHEETS AND APPLICATION INSTRUCTIONS

POLYGLASS



polyglass.us

1111 West Newport Center Drive
Deerfield Beach, FL 33442
Technical Service: (866) 794-9659
technical@polyglass.com

VERTIWRAP NPS

**WINDOW HEAD
MASONRY CLADDING (OPTION-2)**

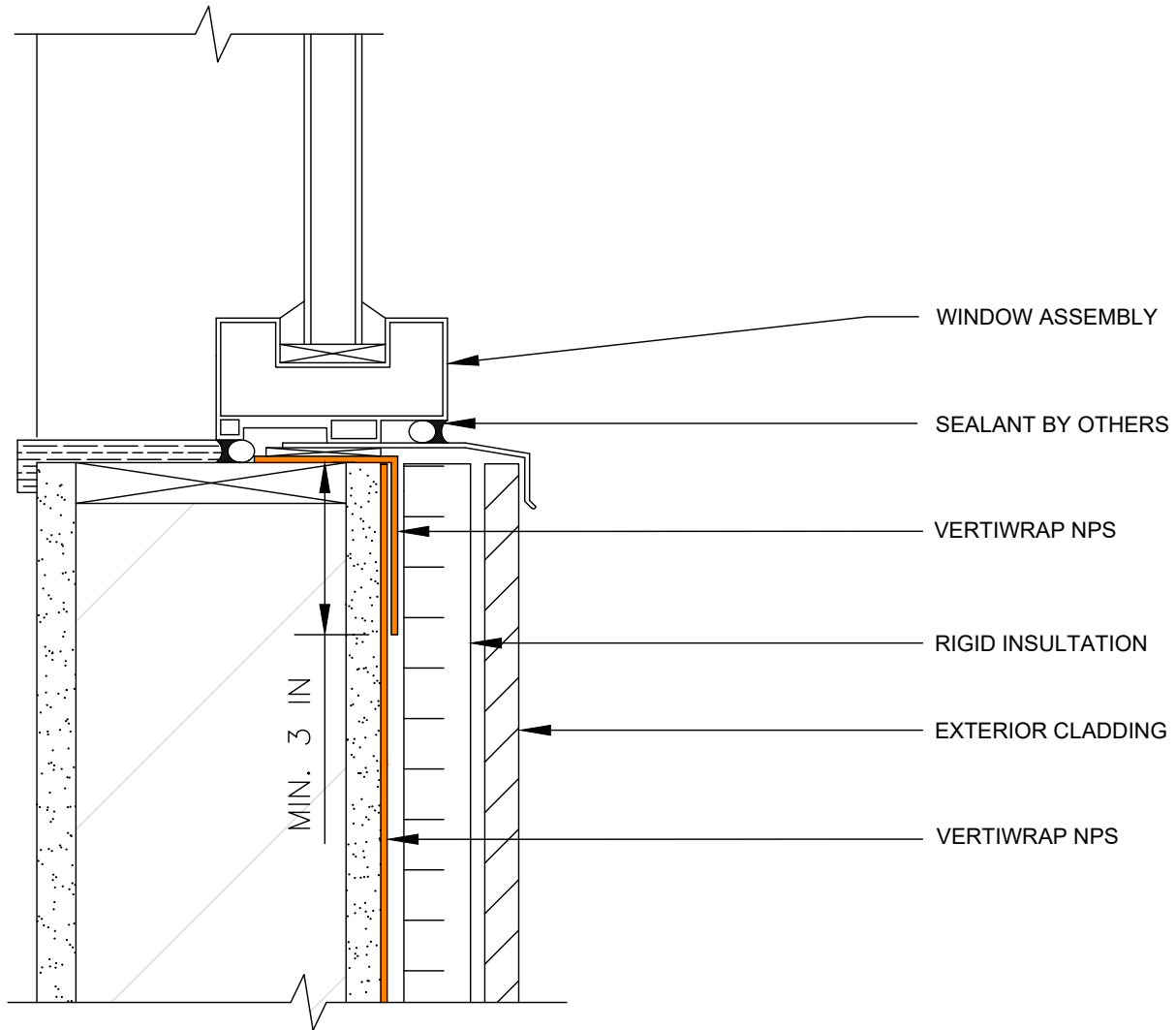
DETAIL IS INTENDED TO BE A GUIDE FOR AIR BARRIER INSTALLATION ONLY.

SUPERCEDES:
00/00/0000

DATE:
04/01/2023

SCALE:
NOT TO SCALE

DRAWING #:
VW-NPS-1F



NOTES:

1. THIS WALL ASSEMBLY MAY NOT BE SUITABLE FOR ALL CLIMATES/REGIONS. CONSULT A BUILDING SCIENCE PROFESSIONAL FOR ASSISTANCE WITH EXTERIOR WALL DESIGNS
2. INSTALL THE VERTIWRAP SYSTEM TO FORM A CONTINUOUS AIR AND WATER BARRIER
3. VERTIWRAP NPS SHOULD EXTEND INTO THE WINDOW OPENING AT A DIMENSION PER THE PROJECT DESIGN
4. VERTIWRAP NPS FIELD MEMBRANE CAN BE BROUGHT INTO THE ROUGH OPENING IN ONE PIECE PROVIDED IT CAN BE SEQUENCED IN ORDER OF SILL, JAMBS AND HEAD
5. INSTALL PRODUCTS ACCORDING TO THEIR RESPECTIVE TECHNICAL DATA SHEETS AND APPLICATION INSTRUCTIONS

POLYGLASS



polyglass.us

1111 West Newport Center Drive
Deerfield Beach, FL 33442
Technical Service: (866) 794-9659
technical@polyglass.com

**VERTIWRAP NPS
WINDOW SILL
NON-MASONRY CLADDING
(OPTION-1)**

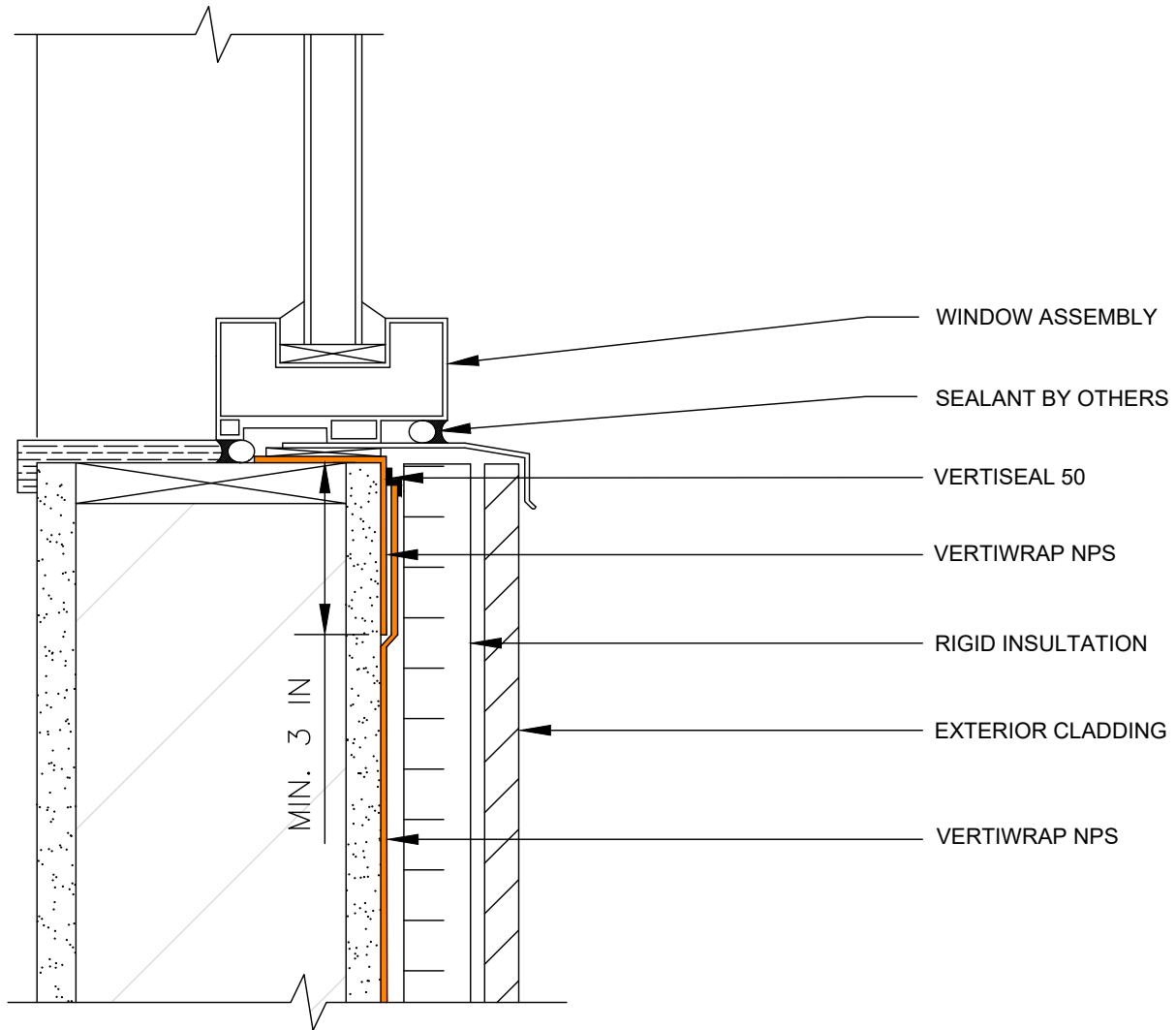
DETAIL IS INTENDED TO BE A GUIDE FOR AIR BARRIER INSTALLATION ONLY.

SUPERCEDES:
00/00/0000

DATE:
04/01/2023

SCALE:
NOT TO SCALE

DRAWING #:
VW-NPS-1G



NOTES:

1. THIS WALL ASSEMBLY MAY NOT BE SUITABLE FOR ALL CLIMATES/REGIONS. CONSULT A BUILDING SCIENCE PROFESSIONAL FOR ASSISTANCE WITH EXTERIOR WALL DESIGNS
2. INSTALL THE VERTIWRAP SYSTEM TO FORM A CONTINUOUS AIR AND WATER BARRIER
3. VERTIWRAP NPS SHOULD EXTEND INTO THE WINDOW OPENING AT A DIMENSION PER THE PROJECT DESIGN
4. VERTIWRAP NPS FIELD MEMBRANE CAN BE BROUGHT INTO THE ROUGH OPENING IN ONE PIECE PROVIDED IT CAN BE SEQUENCED IN ORDER OF SILL, JAMBS AND HEAD
5. INSTALL PRODUCTS ACCORDING TO THEIR RESPECTIVE TECHNICAL DATA SHEETS AND APPLICATION INSTRUCTIONS

POLYGLASS



polyglass.us

1111 West Newport Center Drive
Deerfield Beach, FL 33442
Technical Service: (866) 794-9659
technical@polyglass.com

**VERTIWRAP NPS
WINDOW SILL
NON-MASONRY CLADDING
(OPTION-2)**

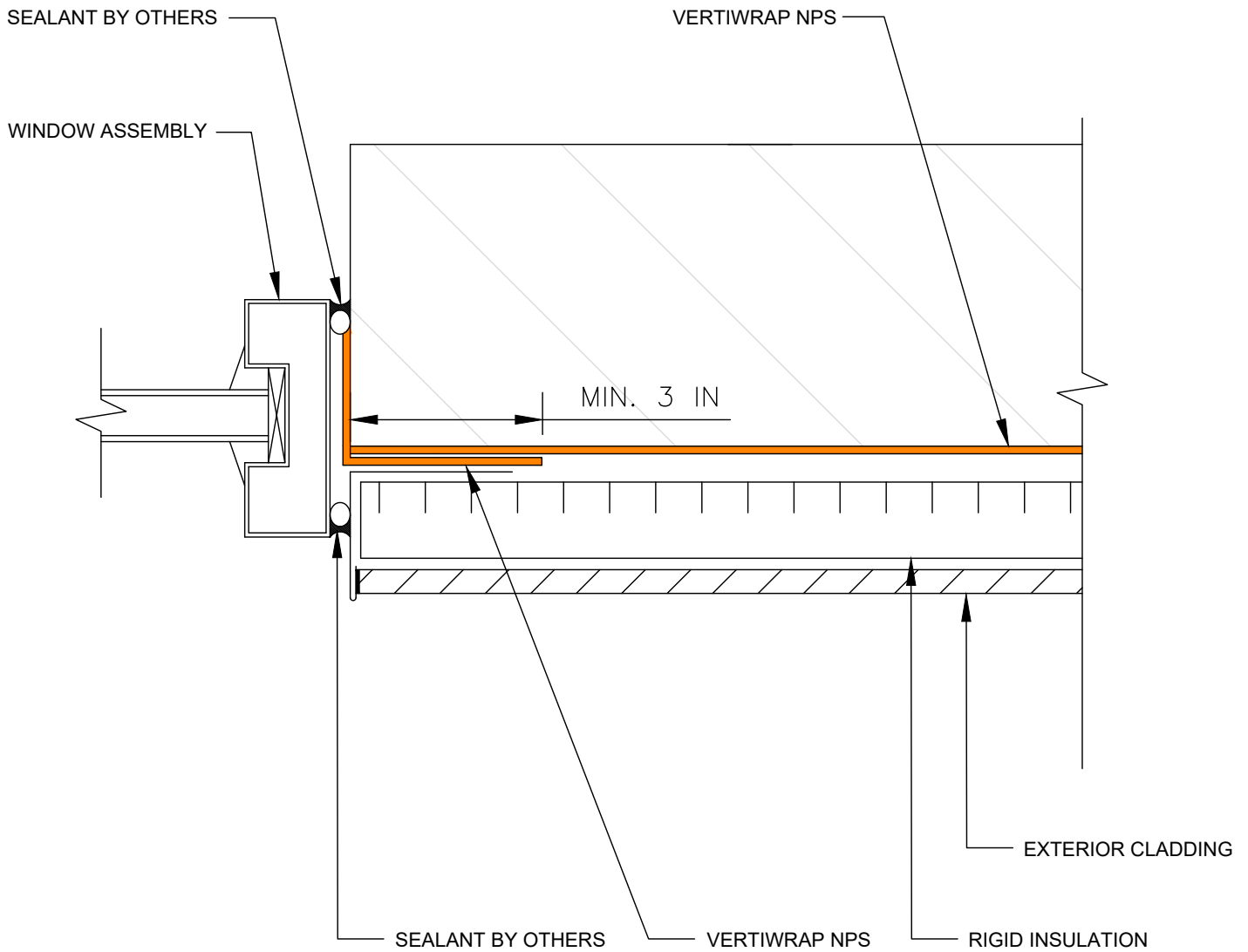
DETAIL IS INTENDED TO BE A GUIDE FOR AIR BARRIER INSTALLATION ONLY.

SUPERCEDES:
00/00/0000

DATE:
04/01/2023

SCALE:
NOT TO SCALE

DRAWING #:
VW-NPS-1H



NOTES:

1. THIS WALL ASSEMBLY MAY NOT BE SUITABLE FOR ALL CLIMATES/REGIONS. CONSULT A BUILDING SCIENCE PROFESSIONAL FOR ASSISTANCE WITH EXTERIOR WALL DESIGNS
2. INSTALL THE VERTIWRAP SYSTEM TO FORM A CONTINUOUS AIR AND WATER BARRIER
3. VERTIWRAP NPS SHOULD EXTEND INTO THE WINDOW OPENING AT A DIMENSION PER THE PROJECT DESIGN
4. VERTIWRAP NPS FIELD MEMBRANE CAN BE BROUGHT INTO THE ROUGH OPENING IN ONE PIECE PROVIDED IT CAN BE SEQUENCED IN ORDER OF SILL, JAMBS AND HEAD
5. INSTALL PRODUCTS ACCORDING TO THEIR RESPECTIVE TECHNICAL DATA SHEETS AND APPLICATION INSTRUCTIONS

POLYGLASS



polyglass.us

1111 West Newport Center Drive
Deerfield Beach, FL 33442
Technical Service: (866) 794-9659
technical@polyglass.com

**VERTIWRAP NPS
WINDOW JAMB
NON-MASONRY CLADDING
(OPTION-1)**

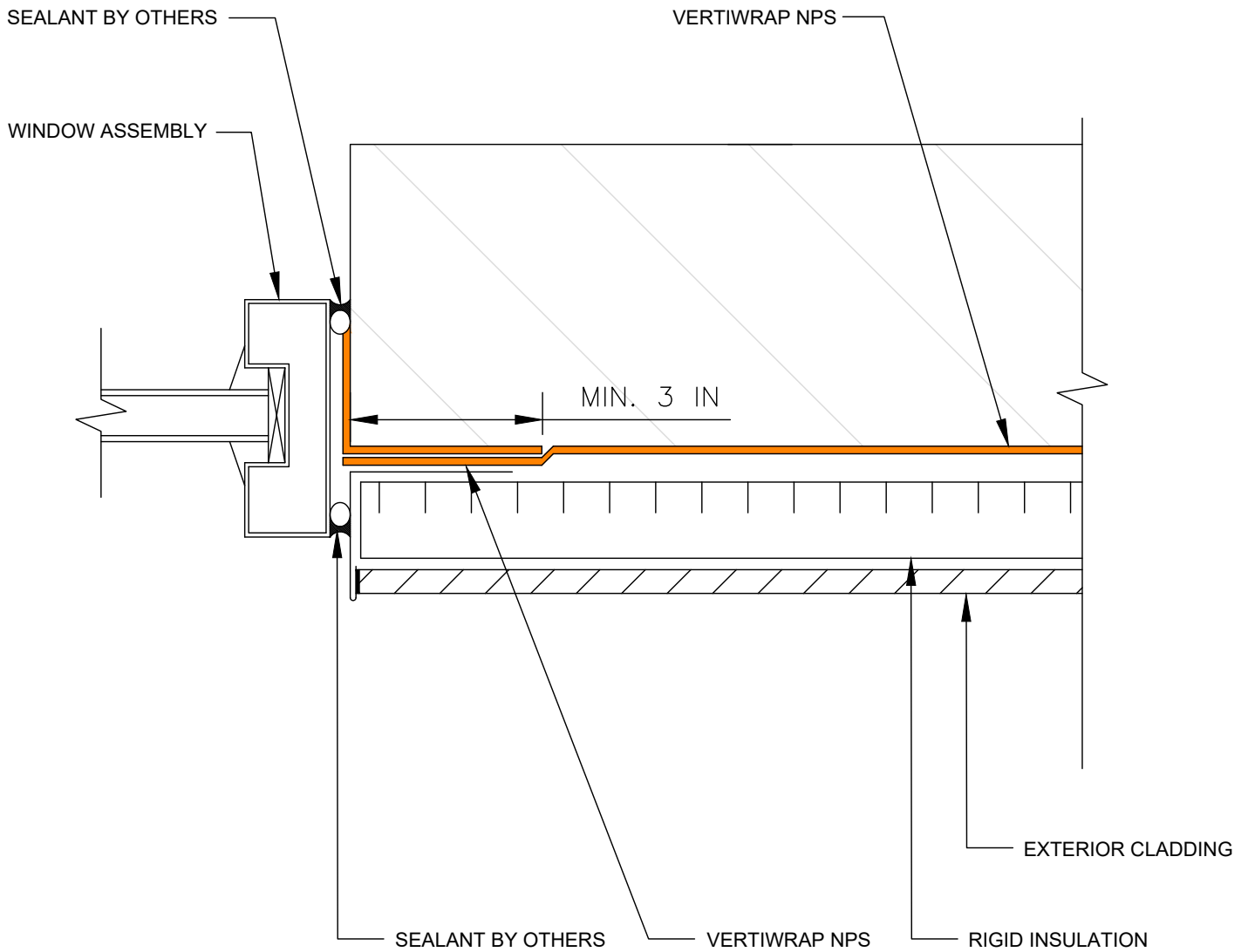
DETAIL IS INTENDED TO BE A GUIDE FOR AIR BARRIER INSTALLATION ONLY.

SUPERCEDES:
00/00/0000

DATE:
04/01/2023

SCALE:
NOT TO SCALE

DRAWING #:
VW-NPS-11



NOTES:

1. THIS WALL ASSEMBLY MAY NOT BE SUITABLE FOR ALL CLIMATES/REGIONS. CONSULT A BUILDING SCIENCE PROFESSIONAL FOR ASSISTANCE WITH EXTERIOR WALL DESIGNS
2. INSTALL THE VERTIWRAP SYSTEM TO FORM A CONTINUOUS AIR AND WATER BARRIER
3. VERTIWRAP NPS SHOULD EXTEND INTO THE WINDOW OPENING AT A DIMENSION PER THE PROJECT DESIGN
4. VERTIWRAP NPS FIELD MEMBRANE CAN BE BROUGHT INTO THE ROUGH OPENING IN ONE PIECE PROVIDED IT CAN BE SEQUENCED IN ORDER OF SILL, JAMBS AND HEAD
5. INSTALL PRODUCTS ACCORDING TO THEIR RESPECTIVE TECHNICAL DATA SHEETS AND APPLICATION INSTRUCTIONS

POLYGLASS



polyglass.us

1111 West Newport Center Drive
Deerfield Beach, FL 33442
Technical Service: (866) 794-9659
technical@polyglass.com

**VERTIWRAP NPS
WINDOW JAMB
NON-MASONRY CLADDING
(OPTION-2)**

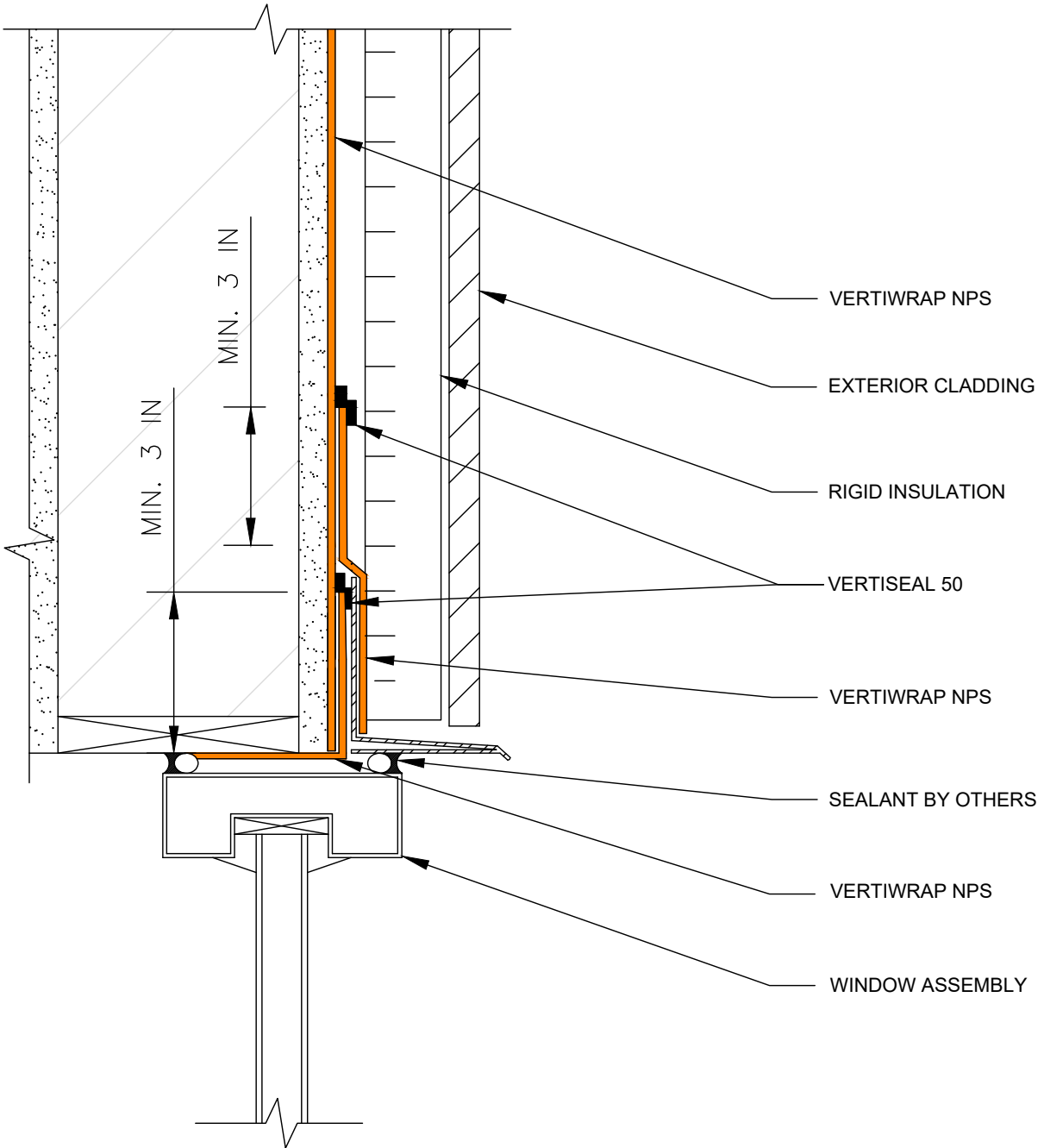
DETAIL IS INTENDED TO BE A GUIDE FOR AIR BARRIER INSTALLATION ONLY.

SUPERCEDES:
00/00/0000

DATE:
04/01/2023

SCALE:
NOT TO SCALE

DRAWING #:
VW-NPS-1J



VERTIWRAP NPS
 EXTERIOR CLADDING
 RIGID INSULATION
 VERTISEAL 50
 VERTIWRAP NPS
 SEALANT BY OTHERS
 VERTIWRAP NPS
 WINDOW ASSEMBLY

NOTES:

1. THIS WALL ASSEMBLY MAY NOT BE SUITABLE FOR ALL CLIMATES/REGIONS. CONSULT A BUILDING SCIENCE PROFESSIONAL FOR ASSISTANCE WITH EXTERIOR WALL DESIGNS
2. INSTALL THE VERTIWRAP SYSTEM TO FORM A CONTINUOUS AIR AND WATER BARRIER
3. VERTIWRAP NPS SHOULD EXTEND INTO THE WINDOW OPENING AT A DIMENSION PER THE PROJECT DESIGN
4. VERTIWRAP NPS FIELD MEMBRANE CAN BE BROUGHT INTO THE ROUGH OPENING IN ONE PIECE PROVIDED IT CAN BE SEQUENCED IN ORDER OF SILL, JAMBS AND HEAD
5. INSTALL PRODUCTS ACCORDING TO THEIR RESPECTIVE TECHNICAL DATA SHEETS AND APPLICATION INSTRUCTIONS

POLYGLASS



polyglass.us

1111 West Newport Center Drive
 Deerfield Beach, FL 33442
 Technical Service: (866) 794-9659
technical@polyglass.com

VERTIWRAP NPS
WINDOW HEAD
NON-MASONRY CLADDING
 (OPTION-1)

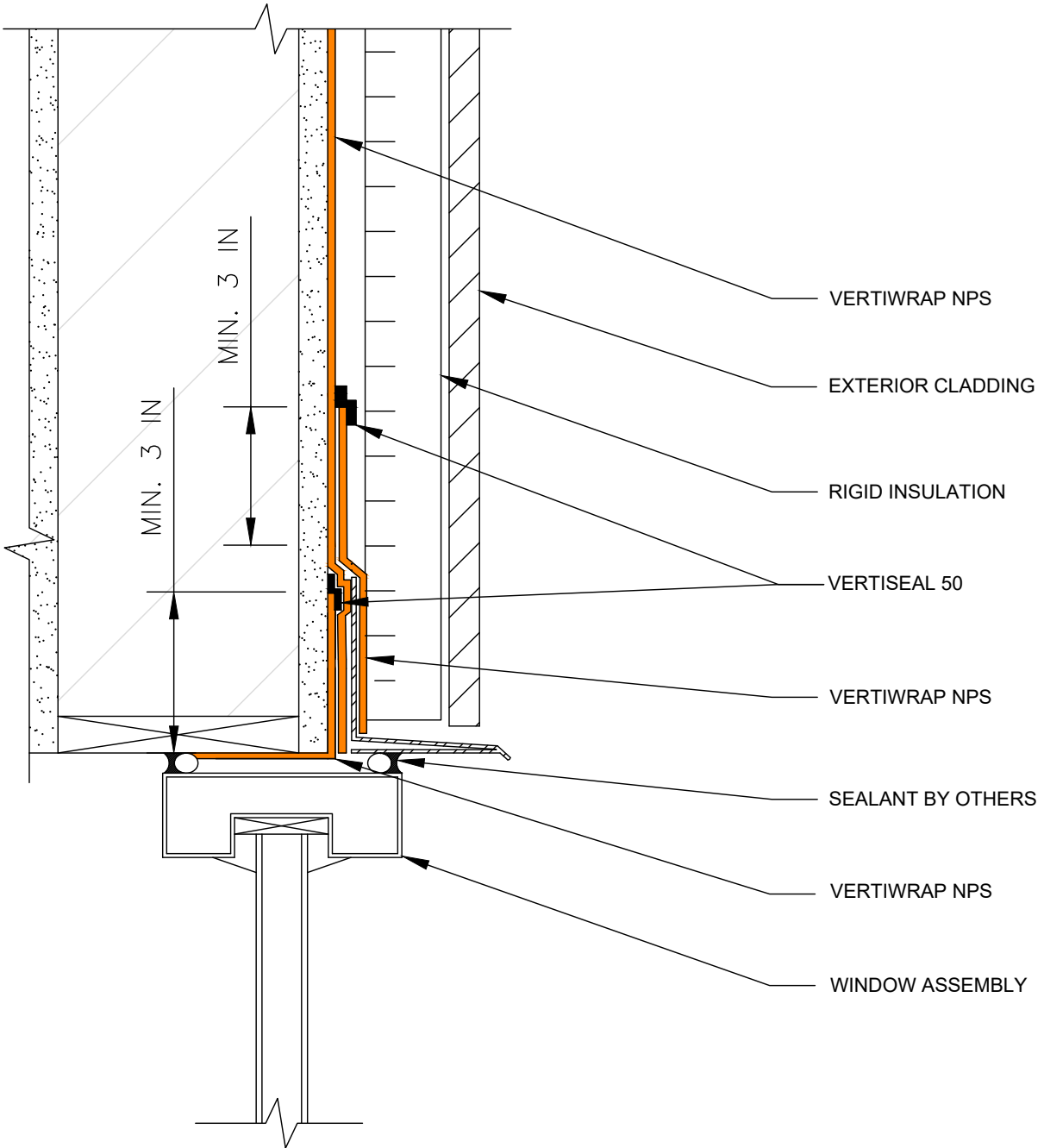
DETAIL IS INTENDED TO BE A GUIDE FOR AIR BARRIER INSTALLATION ONLY.

SUPERCEDES:
 00/00/0000

DATE:
 04/01/2023

SCALE:
 NOT TO SCALE

DRAWING #:
 VW-NPS-1K



NOTES:

1. THIS WALL ASSEMBLY MAY NOT BE SUITABLE FOR ALL CLIMATES/REGIONS. CONSULT A BUILDING SCIENCE PROFESSIONAL FOR ASSISTANCE WITH EXTERIOR WALL DESIGNS
2. INSTALL THE VERTIWRAP SYSTEM TO FORM A CONTINUOUS AIR AND WATER BARRIER
3. VERTIWRAP NPS SHOULD EXTEND INTO THE WINDOW OPENING AT A DIMENSION PER THE PROJECT DESIGN
4. VERTIWRAP NPS FIELD MEMBRANE CAN BE BROUGHT INTO THE ROUGH OPENING IN ONE PIECE PROVIDED IT CAN BE SEQUENCED IN ORDER OF SILL, JAMBS AND HEAD
5. INSTALL PRODUCTS ACCORDING TO THEIR RESPECTIVE TECHNICAL DATA SHEETS AND APPLICATION INSTRUCTIONS

POLYGLASS



polyglass.us

1111 West Newport Center Drive
Deerfield Beach, FL 33442
Technical Service: (866) 794-9659
technical@polyglass.com

**VERTIWRAP NPS
WINDOW HEAD
NON-MASONRY CLADDING
(OPTION-2)**

DETAIL IS INTENDED TO BE A GUIDE FOR AIR BARRIER INSTALLATION ONLY.

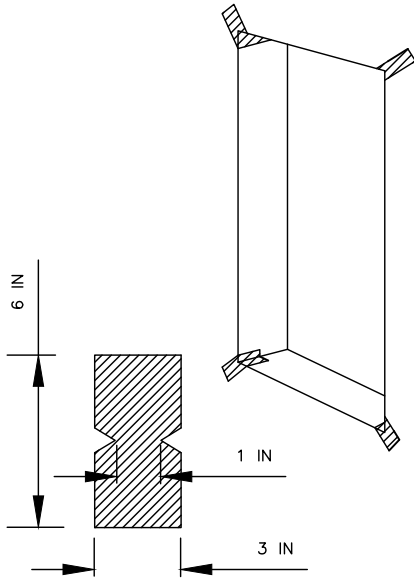
SUPERCEDES:
00/00/0000

DATE:
04/01/2023

SCALE:
NOT TO SCALE

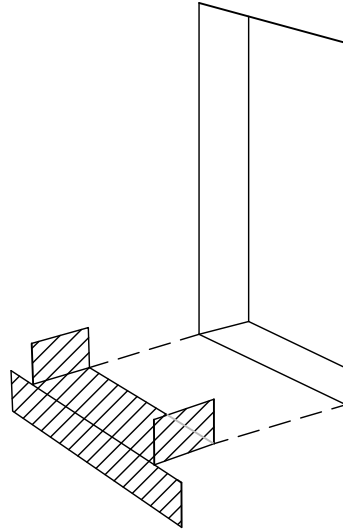
DRAWING #:
VW-NPS-1L

STEP 1 - CORNER FLASHING

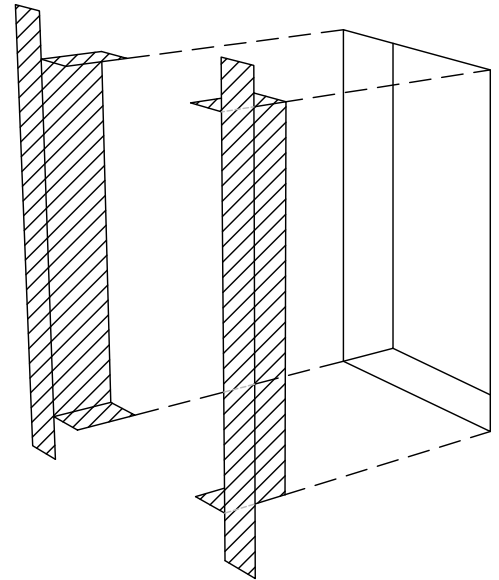


CORNER FLASHING

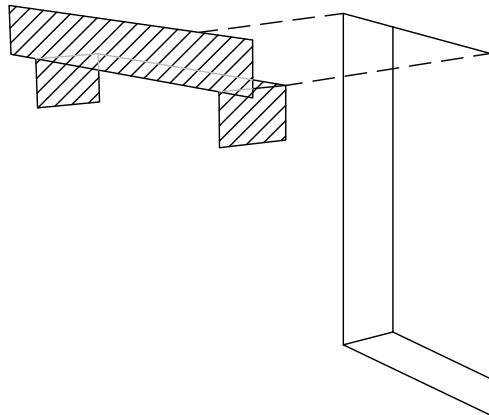
STEP 2 - SILL FLASHING



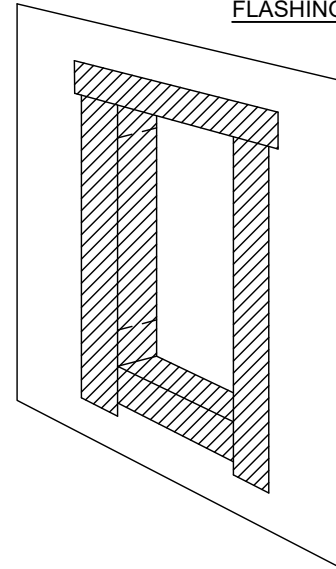
STEP 3 - JAMB FLASHING



STEP 4 - HEAD FLASHING



FLASHING COMPLETED



NOTES:

1. THIS WALL ASSEMBLY MAY NOT BE SUITABLE FOR ALL CLIMATES/REGIONS. CONSULT A BUILDING SCIENCE PROFESSIONAL FOR ASSISTANCE WITH EXTERIOR WALL DESIGNS
2. INSTALL THE VERTIWRAP SYSTEM TO FORM A CONTINUOUS AIR AND WATER BARRIER
3. VERTIWRAP SHOULD EXTEND INTO THE WINDOW OPENING AT A DIMENSION PER THE PROJECT DESIGN
4. ALL VERTIWRAP FLASHING SHOULD EXTEND A MIN. OF 3 IN. ONTO THE SHEATHING AND OR PREVIOUSLY INSTALLED VERTIWRAP MEMBRANE. VERTICAL LEGS OF FLASHING SHOULD EXTEND A MIN. OF 3 IN. AT ANY PLANE CHANGES
5. INSTALL PRODUCTS ACCORDING TO THEIR RESPECTIVE TECHNICAL DATA SHEETS AND APPLICATION INSTRUCTIONS

POLYGLASS



polyglass.us

1111 West Newport Center Drive
Deerfield Beach, FL 33442
Technical Service: (866) 794-9659
technical@polyglass.com

VERTIWRAP NPS

SELF-ADHERED
WINDOW FLASHING

DETAIL IS INTENDED TO BE A GUIDE FOR AIR BARRIER INSTALLATION ONLY.

SUPERCEDES:

00/00/0000

DATE:

04/01/2023

SCALE:

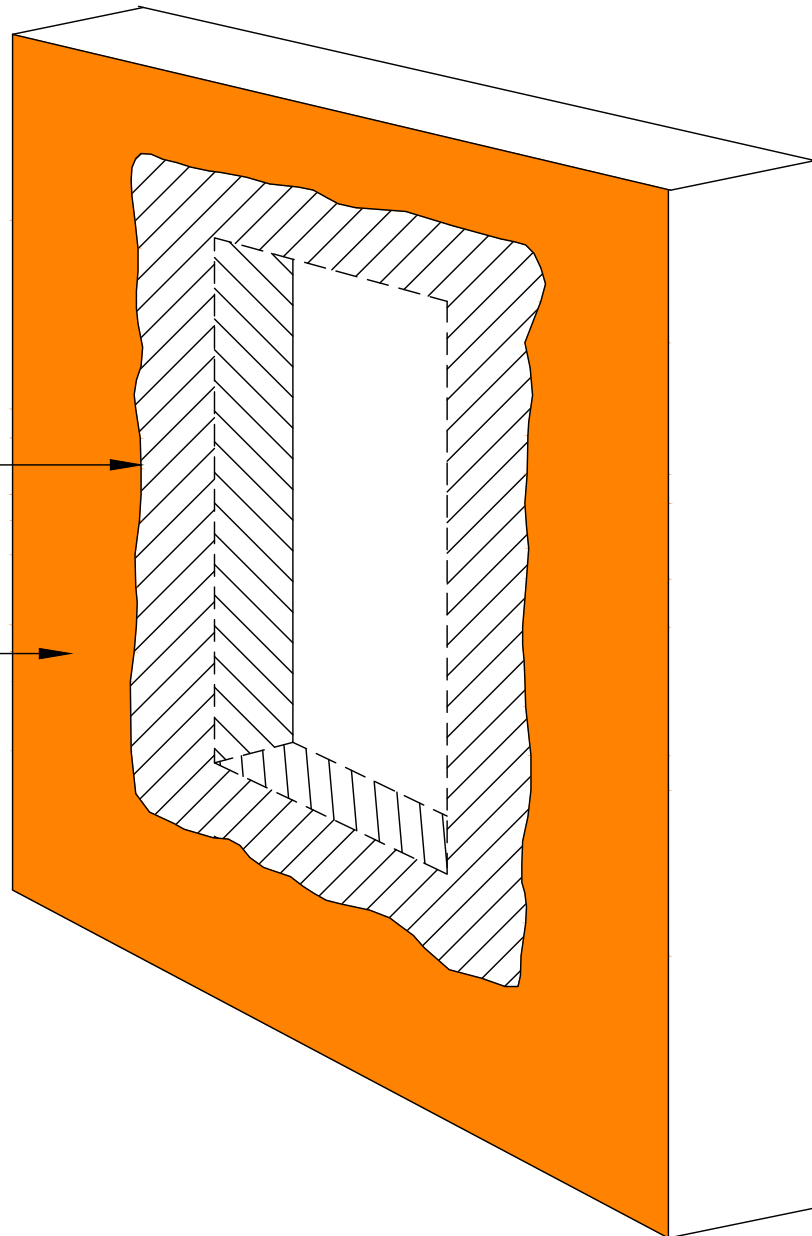
NOT TO SCALE

DRAWING #:

VW-NPS-1M

VERTISEAL 50
(MINIMUM 25-MILS)

VERTIWRAP NPS



NOTES:

1. THIS WALL ASSEMBLY MAY NOT BE SUITABLE FOR ALL CLIMATES/REGIONS. CONSULT A BUILDING SCIENCE PROFESSIONAL FOR ASSISTANCE WITH EXTERIOR WALL DESIGNS
2. INSTALL THE VERTIWRAP SYSTEM TO FORM A CONTINUOUS AIR AND WATER BARRIER
3. VERTISEAL 50 SHOULD EXTEND INTO THE WINDOW OPENING AT A DIMENSION PER THE PROJECT DESIGN
4. VERTISEAL 50 SHOULD EXTEND A MIN. OF 3 IN. ONTO THE VERTIWRAP NPS
5. INSTALL PRODUCTS ACCORDING TO THEIR RESPECTIVE TECHNICAL DATA SHEETS AND APPLICATION INSTRUCTIONS

POLYGLASS



polyglass.us

1111 West Newport Center Drive
Deerfield Beach, FL 33442
Technical Service: (866) 794-9659
technical@polyglass.com

VERTIWRAP NPS

VERTISEAL 50 FLASHING ROUGH OPENING

DETAIL IS INTENDED TO BE A GUIDE FOR AIR BARRIER INSTALLATION ONLY.

SUPERCEDES:

00/00/0000

DATE:

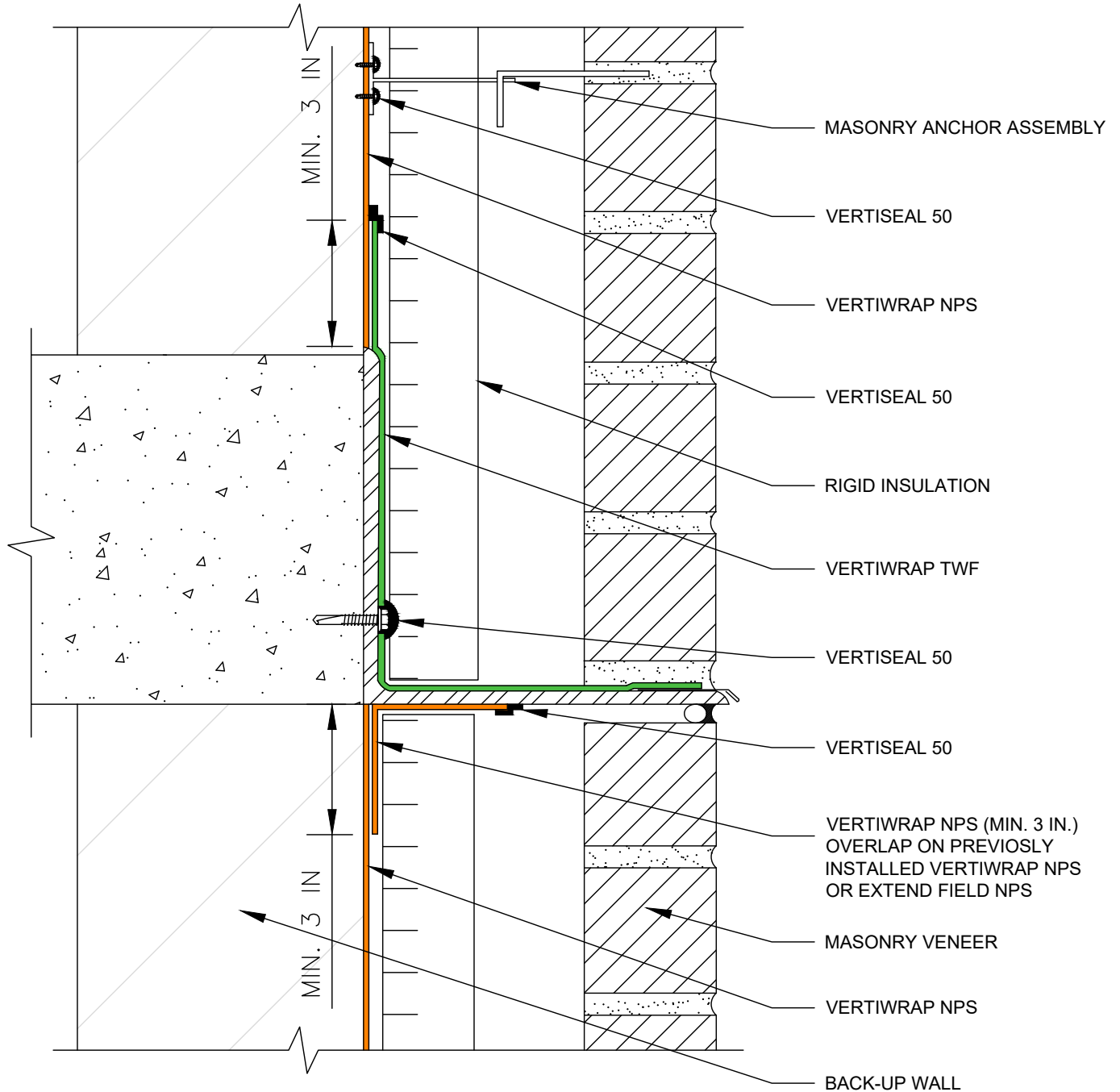
04/01/2023

SCALE:

NOT TO SCALE

DRAWING #:

VW-NPS-1N



NOTES:

1. THIS WALL ASSEMBLY MAY NOT BE SUITABLE FOR ALL CLIMATES/REGIONS. CONSULT A BUILDING SCIENCE PROFESSIONAL FOR ASSISTANCE WITH EXTERIOR WALL DESIGNS
2. INSTALL THE VERTIWRAP SYSTEM TO FORM A CONTINUOUS AIR AND WATER BARRIER
3. INSTALL PRODUCTS ACCORDING TO THEIR RESPECTIVE TECHNICAL DATA SHEETS AND APPLICATION INSTRUCTIONS

POLYGLASS



polyglass.us

1111 West Newport Center Drive
 Deerfield Beach, FL 33442
 Technical Service: (866) 794-9659
 technical@polyglass.com

**VERTIWRAP NPS
 FLOOR LINE TRANSITION
 MASONRY CLADDING
 (OPTION-1)**

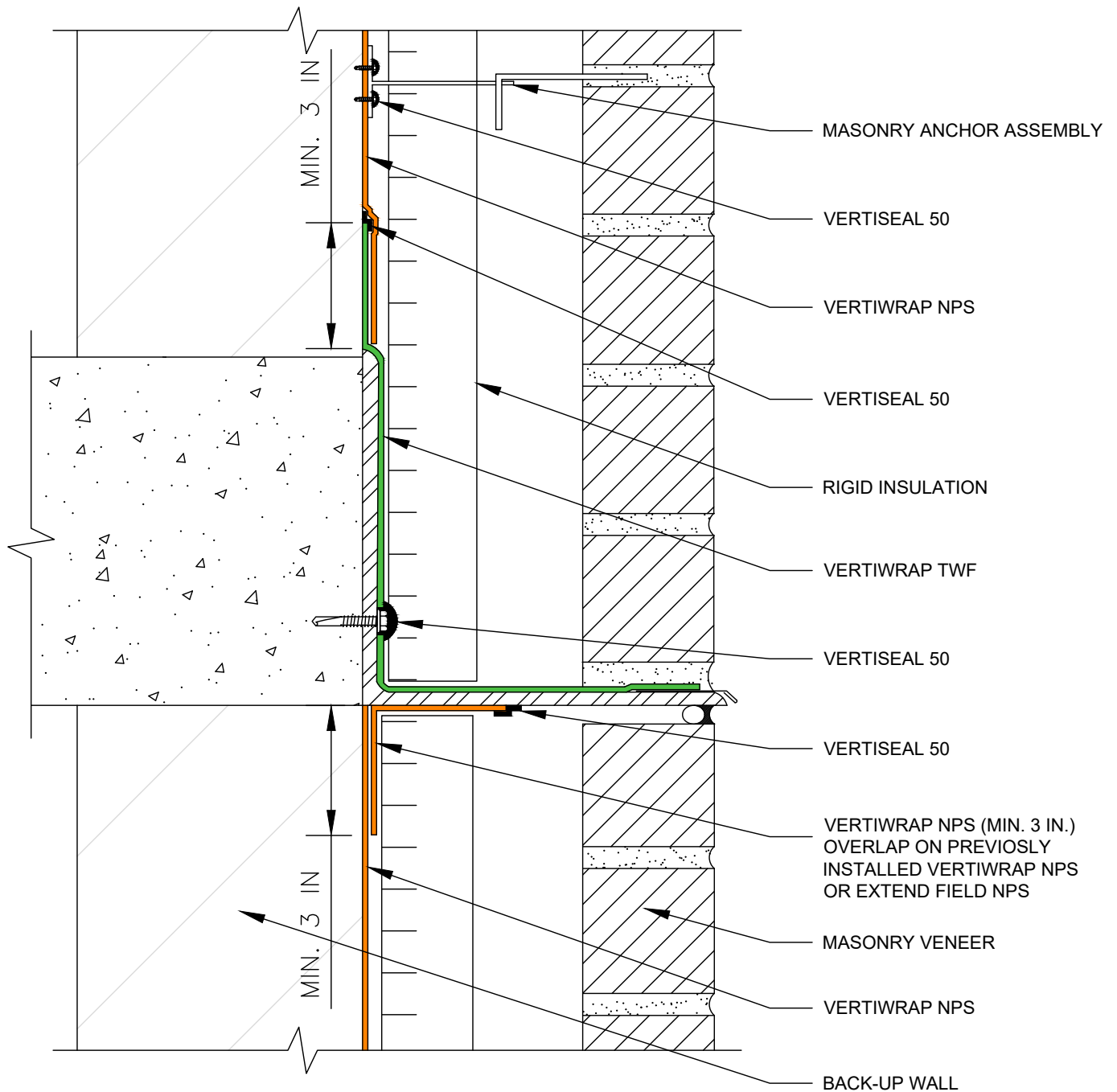
DETAIL IS INTENDED TO BE A GUIDE FOR AIR BARRIER INSTALLATION ONLY.

SUPERCEDES:
00/00/0000

DATE:
04/01/2023

SCALE:
NOT TO SCALE

DRAWING #:
VW-NPS-2A



NOTES:

1. THIS WALL ASSEMBLY MAY NOT BE SUITABLE FOR ALL CLIMATES/REGIONS. CONSULT A BUILDING SCIENCE PROFESSIONAL FOR ASSISTANCE WITH EXTERIOR WALL DESIGNS
2. INSTALL THE VERTIWRAP SYSTEM TO FORM A CONTINUOUS AIR AND WATER BARRIER
3. INSTALL PRODUCTS ACCORDING TO THEIR RESPECTIVE TECHNICAL DATA SHEETS AND APPLICATION INSTRUCTIONS

POLYGLASS



polyglass.us

1111 West Newport Center Drive
 Deerfield Beach, FL 33442
 Technical Service: (866) 794-9659
 technical@polyglass.com

**VERTIWRAP NPS
 FLOOR LINE TRANSITION
 MASONRY CLADDING
 (OPTION-2)**

DETAIL IS INTENDED TO BE A GUIDE FOR AIR BARRIER INSTALLATION ONLY.

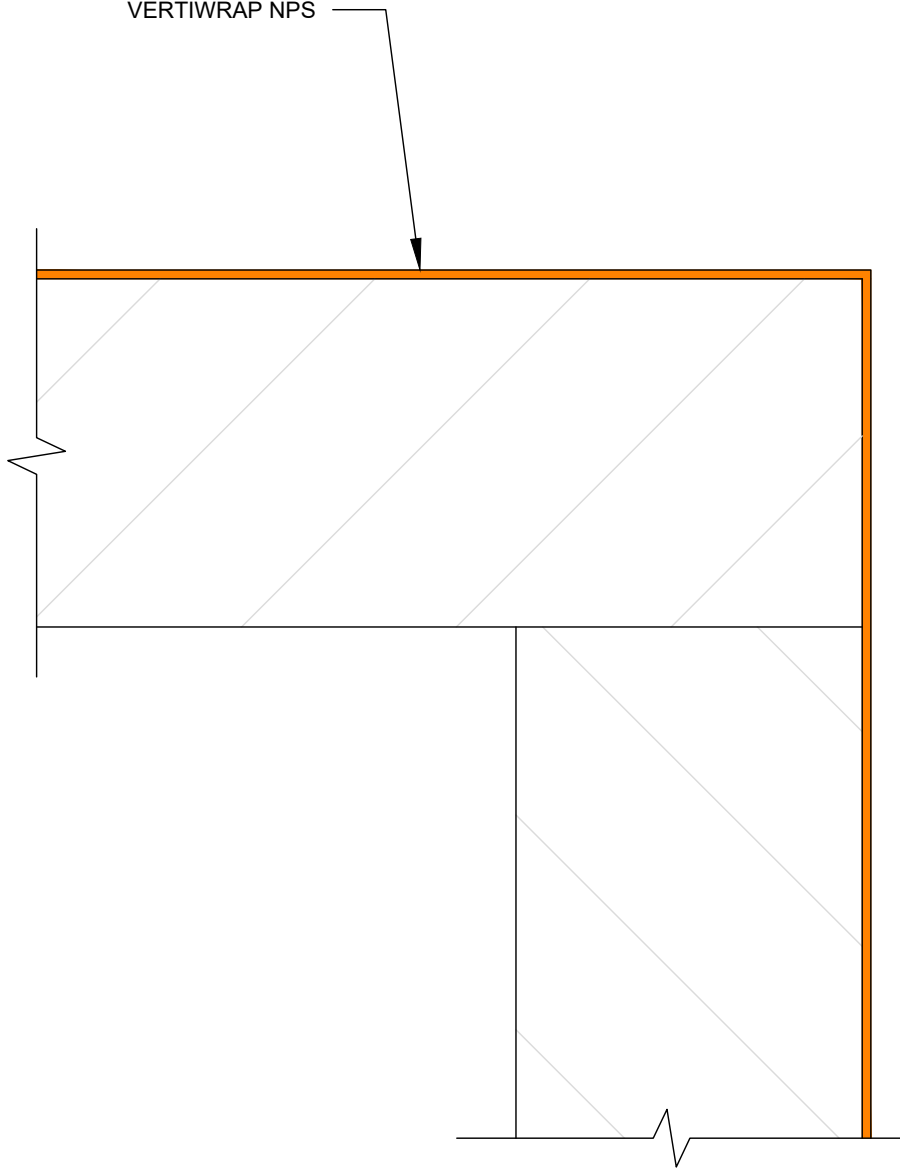
SUPERCEDES:
00/00/0000

DATE:
04/01/2023

SCALE:
NOT TO SCALE

DRAWING #:
VW-NPS-2B

VERTIWRAP NPS



NOTES:

1. THIS WALL ASSEMBLY MAY NOT BE SUITABLE FOR ALL CLIMATES/REGIONS. CONSULT A BUILDING SCIENCE PROFESSIONAL FOR ASSISTANCE WITH EXTERIOR WALL DESIGNS
2. INSTALL THE VERTIWRAP SYSTEM TO FORM A CONTINUOUS AIR AND WATER BARRIER
3. INSTALL PRODUCTS ACCORDING TO THEIR RESPECTIVE TECHNICAL DATA SHEETS AND APPLICATION INSTRUCTIONS

POLYGLASS



polyglass.us

1111 West Newport Center Drive
Deerfield Beach, FL 33442
Technical Service: (866) 794-9659
technical@polyglass.com

VERTIWRAP NPS

OUTSIDE CORNER
(OPTION-1)

DETAIL IS INTENDED TO BE A GUIDE FOR AIR BARRIER INSTALLATION ONLY.

SUPERCEDES:

00/00/0000

DATE:

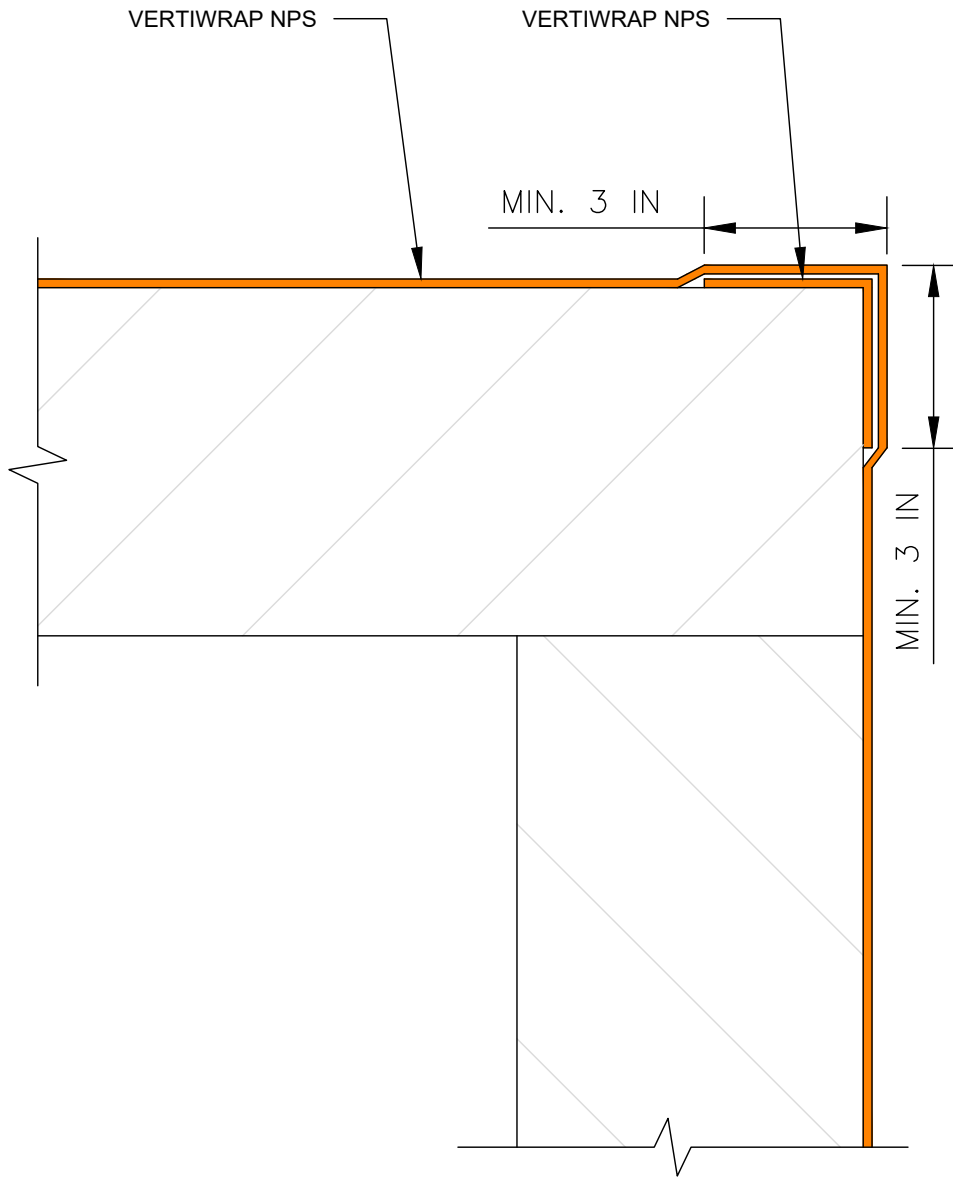
04/01/2023

SCALE:

NOT TO SCALE

DRAWING #:

VW-NPS-3A



NOTES:

1. THIS WALL ASSEMBLY MAY NOT BE SUITABLE FOR ALL CLIMATES/REGIONS. CONSULT A BUILDING SCIENCE PROFESSIONAL FOR ASSISTANCE WITH EXTERIOR WALL DESIGNS
2. INSTALL THE VERTIWRAP SYSTEM TO FORM A CONTINUOUS AIR AND WATER BARRIER
3. INSTALL PRODUCTS ACCORDING TO THEIR RESPECTIVE TECHNICAL DATA SHEETS AND APPLICATION INSTRUCTIONS

POLYGLASS



polyglass.us

1111 West Newport Center Drive
 Deerfield Beach, FL 33442
 Technical Service: (866) 794-9659
technical@polyglass.com

VERTIWRAP NPS
OUTSIDE CORNER
(OPTION-2)

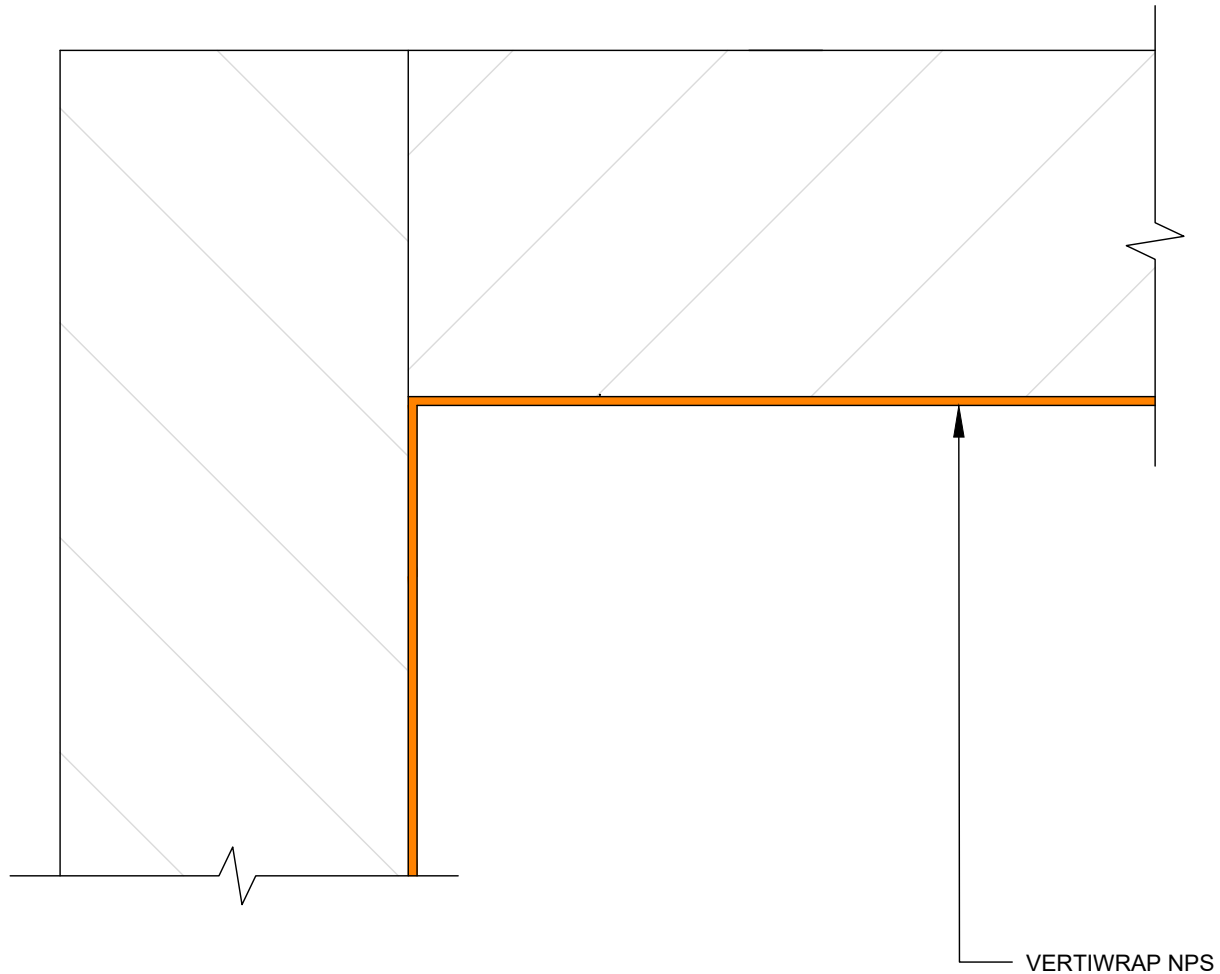
DETAIL IS INTENDED TO BE A GUIDE FOR AIR BARRIER INSTALLATION ONLY.

SUPERCEDES:
00/00/0000

DATE:
04/01/2023

SCALE:
NOT TO SCALE

DRAWING #:
VW-NPS-3B



NOTES:

1. THIS WALL ASSEMBLY MAY NOT BE SUITABLE FOR ALL CLIMATES/REGIONS. CONSULT A BUILDING SCIENCE PROFESSIONAL FOR ASSISTANCE WITH EXTERIOR WALL DESIGNS
2. INSTALL THE VERTIWRAP SYSTEM TO FORM A CONTINUOUS AIR AND WATER BARRIER
3. INSTALL PRODUCTS ACCORDING TO THEIR RESPECTIVE TECHNICAL DATA SHEETS AND APPLICATION INSTRUCTIONS

POLYGLASS



polyglass.us

1111 West Newport Center Drive
 Deerfield Beach, FL 33442
 Technical Service: (866) 794-9659
 technical@polyglass.com

VERTIWRAP NPS

**INSIDE CORNER
 (OPTION-1)**

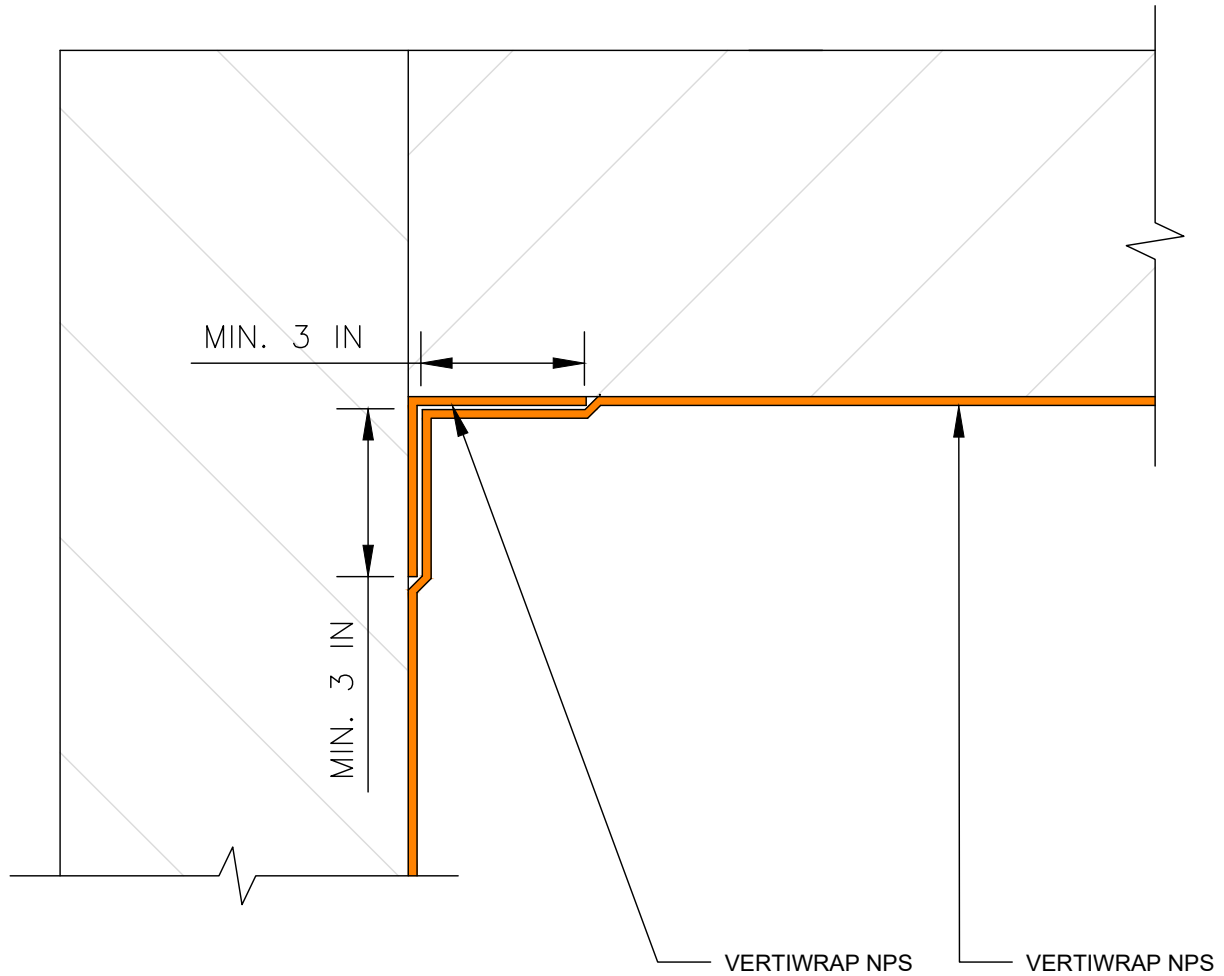
DETAIL IS INTENDED TO BE A GUIDE FOR AIR BARRIER INSTALLATION ONLY.

SUPERCEDES:
00/00/0000

DATE:
04/01/2023

SCALE:
NOT TO SCALE

DRAWING #:
VW-NPS-3C



NOTES:

1. THIS WALL ASSEMBLY MAY NOT BE SUITABLE FOR ALL CLIMATES/REGIONS. CONSULT A BUILDING SCIENCE PROFESSIONAL FOR ASSISTANCE WITH EXTERIOR WALL DESIGNS
2. INSTALL THE VERTIWRAP SYSTEM TO FORM A CONTINUOUS AIR AND WATER BARRIER
3. INSTALL PRODUCTS ACCORDING TO THEIR RESPECTIVE TECHNICAL DATA SHEETS AND APPLICATION INSTRUCTIONS

POLYGLASS



polyglass.us

1111 West Newport Center Drive
Deerfield Beach, FL 33442
Technical Service: (866) 794-9659
technical@polyglass.com

VERTIWRAP NPS

**INSIDE CORNER
(OPTION-2)**

DETAIL IS INTENDED TO BE A GUIDE FOR AIR BARRIER INSTALLATION ONLY.

SUPERCEDES:

00/00/0000

DATE:

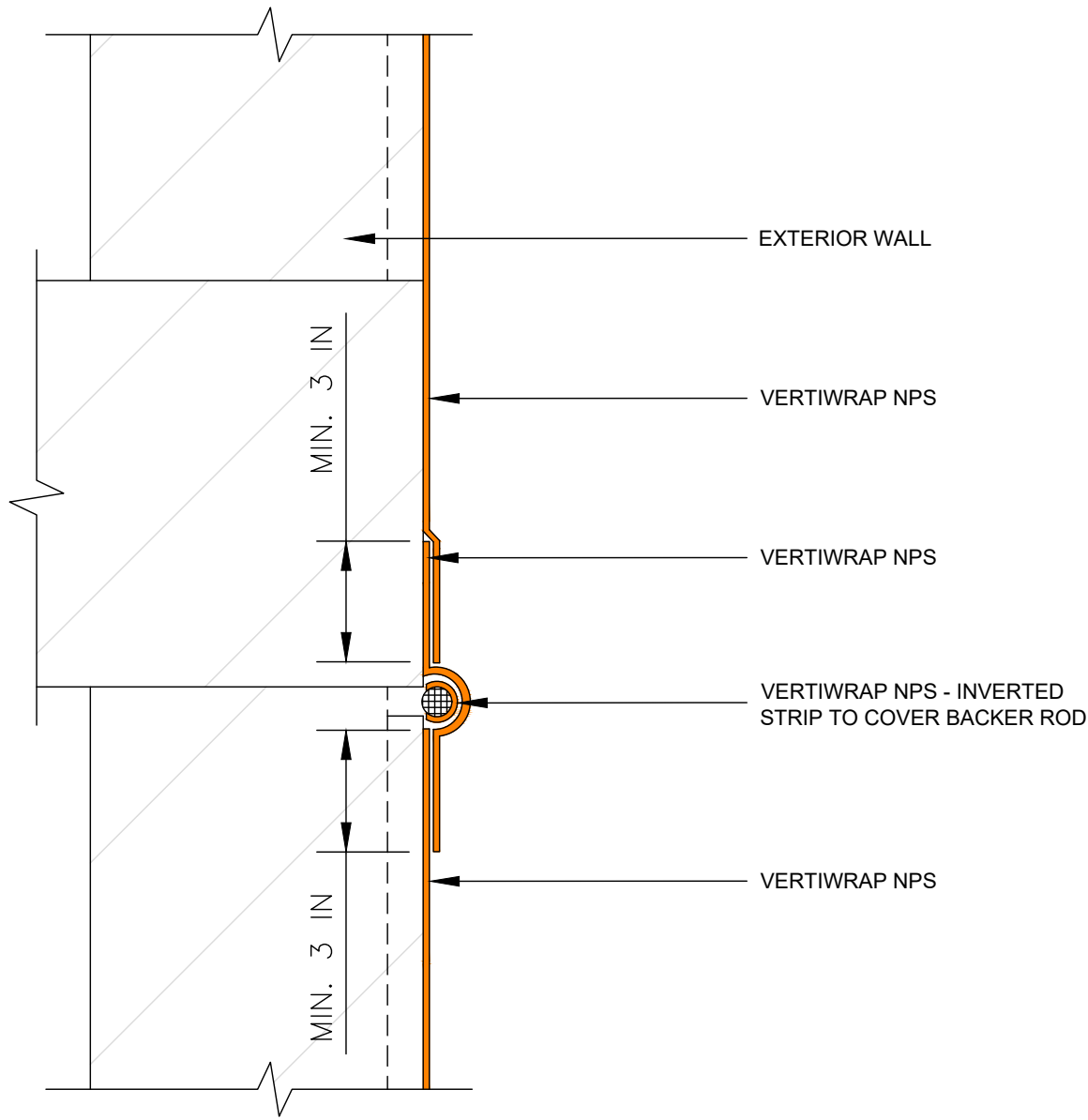
04/01/2023

SCALE:

NOT TO SCALE

DRAWING #:

VW-NPS-3D



NOTES:

1. THIS WALL ASSEMBLY MAY NOT BE SUITABLE FOR ALL CLIMATES/REGIONS. CONSULT A BUILDING SCIENCE PROFESSIONAL FOR ASSISTANCE WITH EXTERIOR WALL DESIGNS
2. INSTALL THE VERTIWRAP SYSTEM TO FORM A CONTINUOUS AIR AND WATER BARRIER
3. INSTALL PRODUCTS ACCORDING TO THEIR RESPECTIVE TECHNICAL DATA SHEETS AND APPLICATION INSTRUCTIONS

POLYGLASS



polyglass.us

1111 West Newport Center Drive
 Deerfield Beach, FL 33442
 Technical Service: (866) 794-9659
 technical@polyglass.com

VERTIWRAP NPS

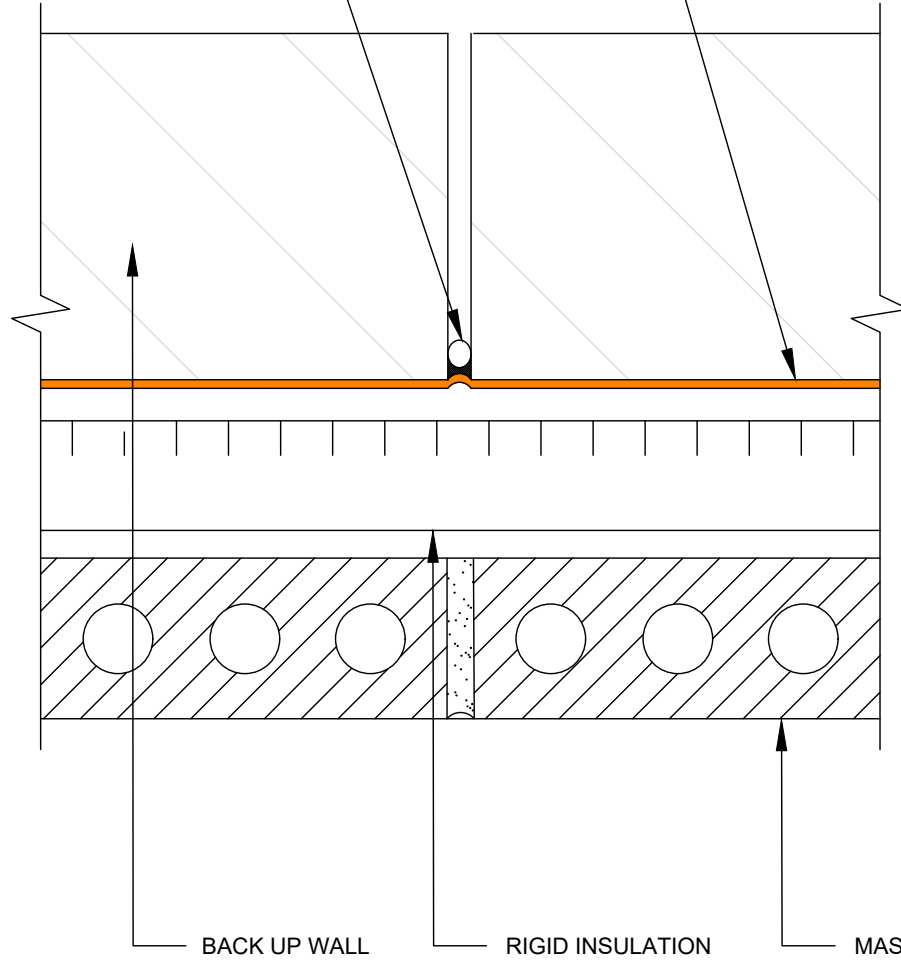
DEFLECTION JOINT

DETAIL IS INTENDED TO BE A GUIDE FOR AIR BARRIER INSTALLATION ONLY.

SUPERCEDES:	00/00/0000
DATE:	04/01/2023
SCALE:	NOT TO SCALE
DRAWING #:	VW-NPS-4A

BACKER ROD AND COMPATIBLE SELANT

VERTIWRAP NPS



BACK UP WALL

RIGID INSULATION

MASONRY VENEER

NOTES:

1. THIS WALL ASSEMBLY MAY NOT BE SUITABLE FOR ALL CLIMATES/REGIONS. CONSULT A BUILDING SCIENCE PROFESSIONAL FOR ASSISTANCE WITH EXTERIOR WALL DESIGNS
2. MAXIMUM JOINT WIDTH 1/2", WITH MAXIMUM 10% +/- MOVEMENT
3. INSTALL THE VERTIWRAP SYSTEM TO FORM A CONTINUOUS AIR AND WATER BARRIER
4. INSTALL PRODUCTS ACCORDING TO THEIR RESPECTIVE TECHNICAL DATA SHEETS AND APPLICATION INSTRUCTIONS

POLYGLASS



polyglass.us

1111 West Newport Center Drive
 Deerfield Beach, FL 33442
 Technical Service: (866) 794-9659
technical@polyglass.com

VERTIWRAP NPS

CONTROL JOINT

DETAIL IS INTENDED TO BE A GUIDE FOR AIR BARRIER INSTALLATION ONLY.

SUPERCEDES:

00/00/0000

DATE:

04/01/2023

SCALE:

NOT TO SCALE

DRAWING #:

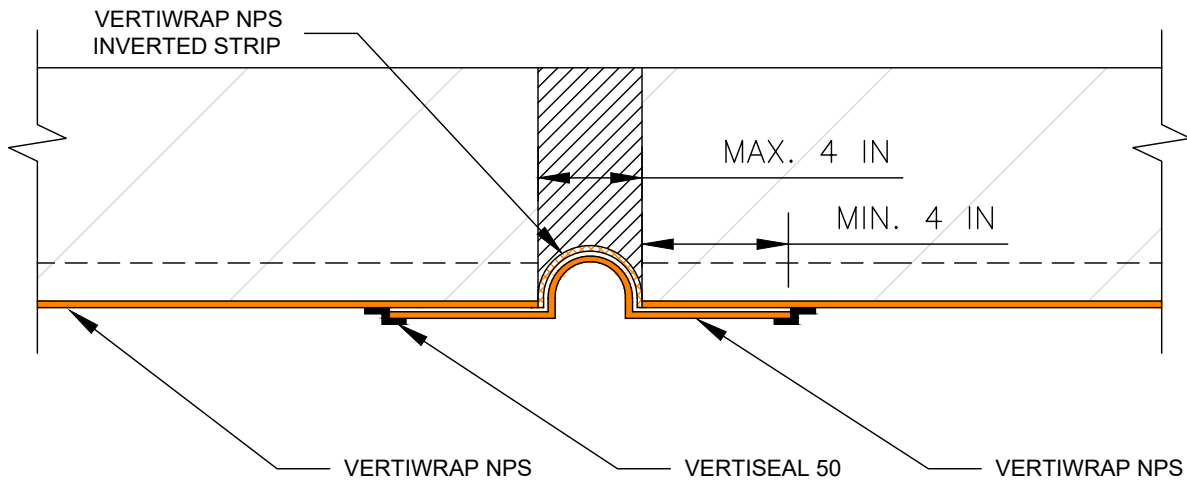
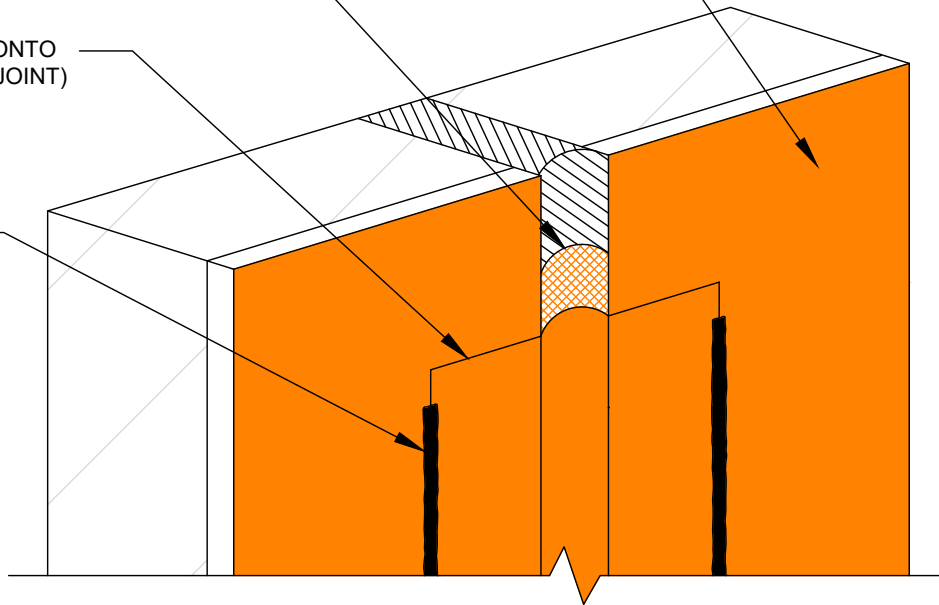
VW-NPS-4B

VERTIWRAP NPS INVERTED STRIP
(TWICE THE WIDTH OF THE JOINT)

VERTIWRAP NPS

VERTIWRAP NPS
(EXTEND MIN. 4 IN. ONTO
EACH SIDE OF THE JOINT)

VERTISEAL 50



NOTES:

1. THIS WALL ASSEMBLY MAY NOT BE SUITABLE FOR ALL CLIMATES/REGIONS. CONSULT A BUILDING SCIENCE PROFESSIONAL FOR ASSISTANCE WITH EXTERIOR WALL DESIGNS
2. INSTALL THE VERTIWRAP SYSTEM TO FORM A CONTINUOUS AIR AND WATER BARRIER
3. VERTIWRAP NPS INVERTED STRIP TO BE TWICE THE WIDTH OF THE JOINT
4. MAXIMUM JOINT WIDTH 4 IN., CAPABLE OF 50% +/- MOVEMENT IN COMPRESSION AND ELONGATION. FOR JOINTS LARGER THAN 4 IN. OR POTENTIAL FOR DIFFERENTIAL MOVEMENT CONSULT POLYGLASS
5. INSTALL PRODUCTS ACCORDING TO THEIR RESPECTIVE TECHNICAL DATA SHEETS AND APPLICATION INSTRUCTIONS

POLYGLASS



polyglass.us

1111 West Newport Center Drive
Deerfield Beach, FL 33442
Technical Service: (866) 794-9659
technical@polyglass.com

VERTIWRAP NPS

EXPANSION JOINT

DETAIL IS INTENDED TO BE A GUIDE FOR AIR BARRIER INSTALLATION ONLY.

SUPERCEDES:

00/00/0000

DATE:

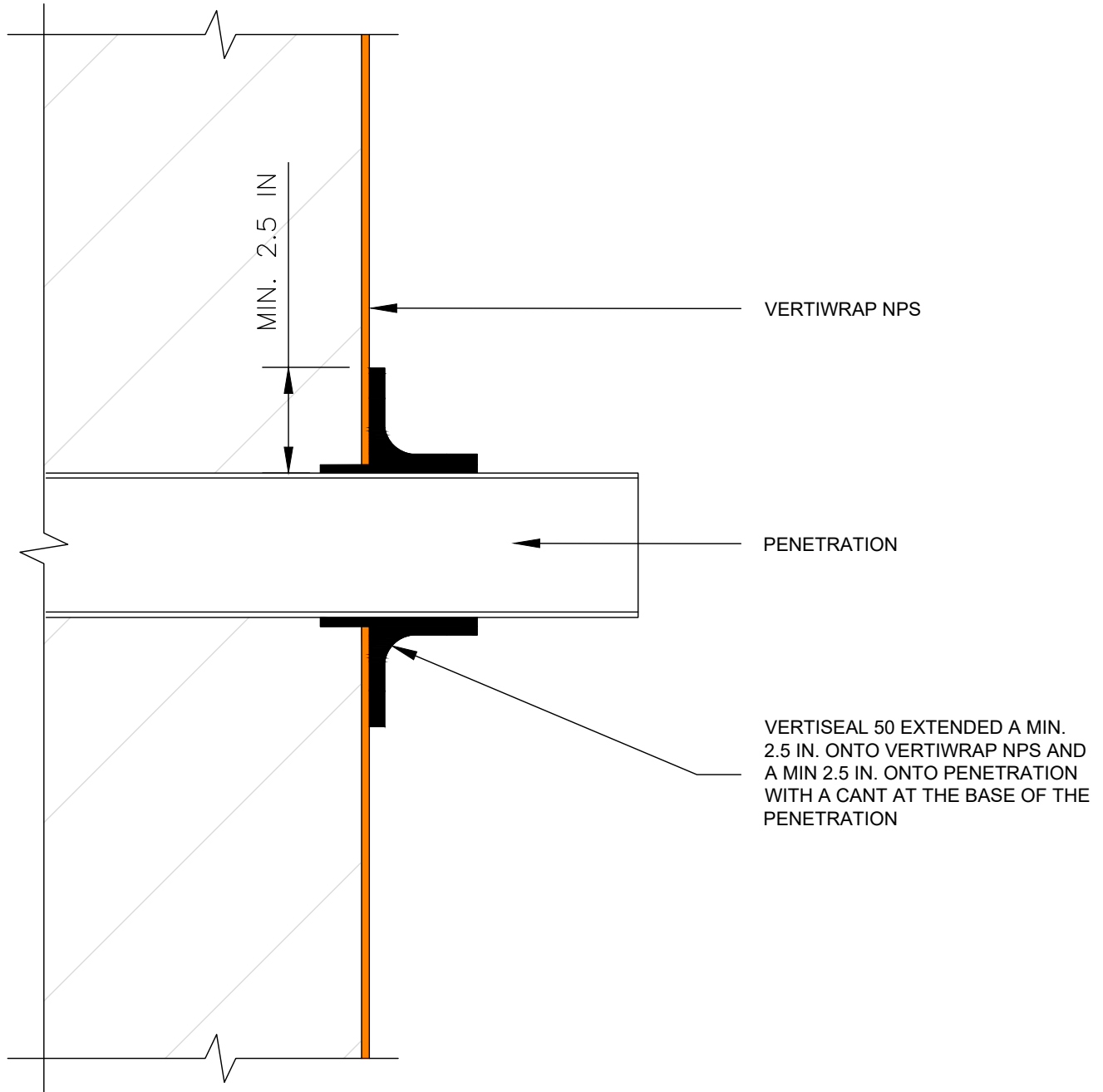
04/01/2023

SCALE:

NOT TO SCALE

DRAWING #:

VW-NPS-4C



NOTES:

1. THIS WALL ASSEMBLY MAY NOT BE SUITABLE FOR ALL CLIMATES/REGIONS. CONSULT A BUILDING SCIENCE PROFESSIONAL FOR ASSISTANCE WITH EXTERIOR WALL DESIGNS
2. INSTALL THE VERTIWRAP SYSTEM TO FORM A CONTINUOUS AIR AND WATER BARRIER
3. INSTALL PRODUCTS ACCORDING TO THEIR RESPECTIVE TECHNICAL DATA SHEETS AND APPLICATION INSTRUCTIONS

POLYGLASS



polyglass.us

1111 West Newport Center Drive
 Deerfield Beach, FL 33442
 Technical Service: (866) 794-9659
 technical@polyglass.com

VERTIWRAP NPS

PENETRATION

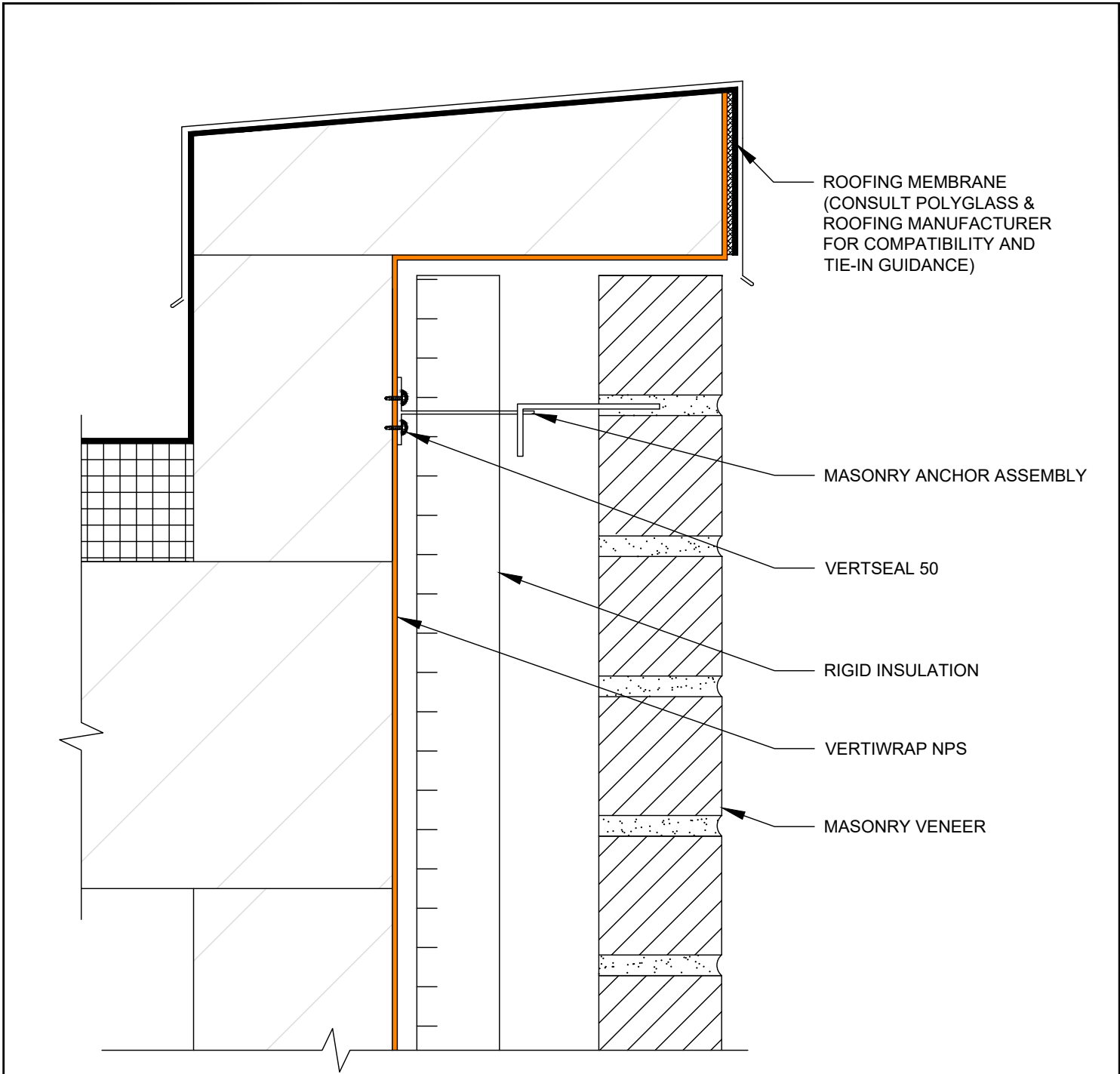
DETAIL IS INTENDED TO BE A GUIDE FOR AIR BARRIER INSTALLATION ONLY.

SUPERCEDES:
00/00/0000

DATE:
04/01/2023

SCALE:
NOT TO SCALE

DRAWING #:
VW-NPS-5A



ROOFING MEMBRANE
(CONSULT POLYGLASS &
ROOFING MANUFACTURER
FOR COMPATIBILITY AND
TIE-IN GUIDANCE)

MASONRY ANCHOR ASSEMBLY

VERTSEAL 50

RIGID INSULATION

VERTIWRAP NPS

MASONRY VENEER

NOTES:

1. THIS WALL ASSEMBLY MAY NOT BE SUITABLE FOR ALL CLIMATES/REGIONS. CONSULT A BUILDING SCIENCE PROFESSIONAL FOR ASSISTANCE WITH EXTERIOR WALL DESIGNS
2. INSTALL THE VERTIWRAP SYSTEM TO FORM A CONTINUOUS AIR AND WATER BARRIER
3. INSTALL PRODUCTS ACCORDING TO THEIR RESPECTIVE TECHNICAL DATA SHEETS AND APPLICATION INSTRUCTIONS

POLYGLASS



polyglass.us

1111 West Newport Center Drive
Deerfield Beach, FL 33442
Technical Service: (866) 794-9659
technical@polyglass.com

VERTIWRAP NPS

PARAPET

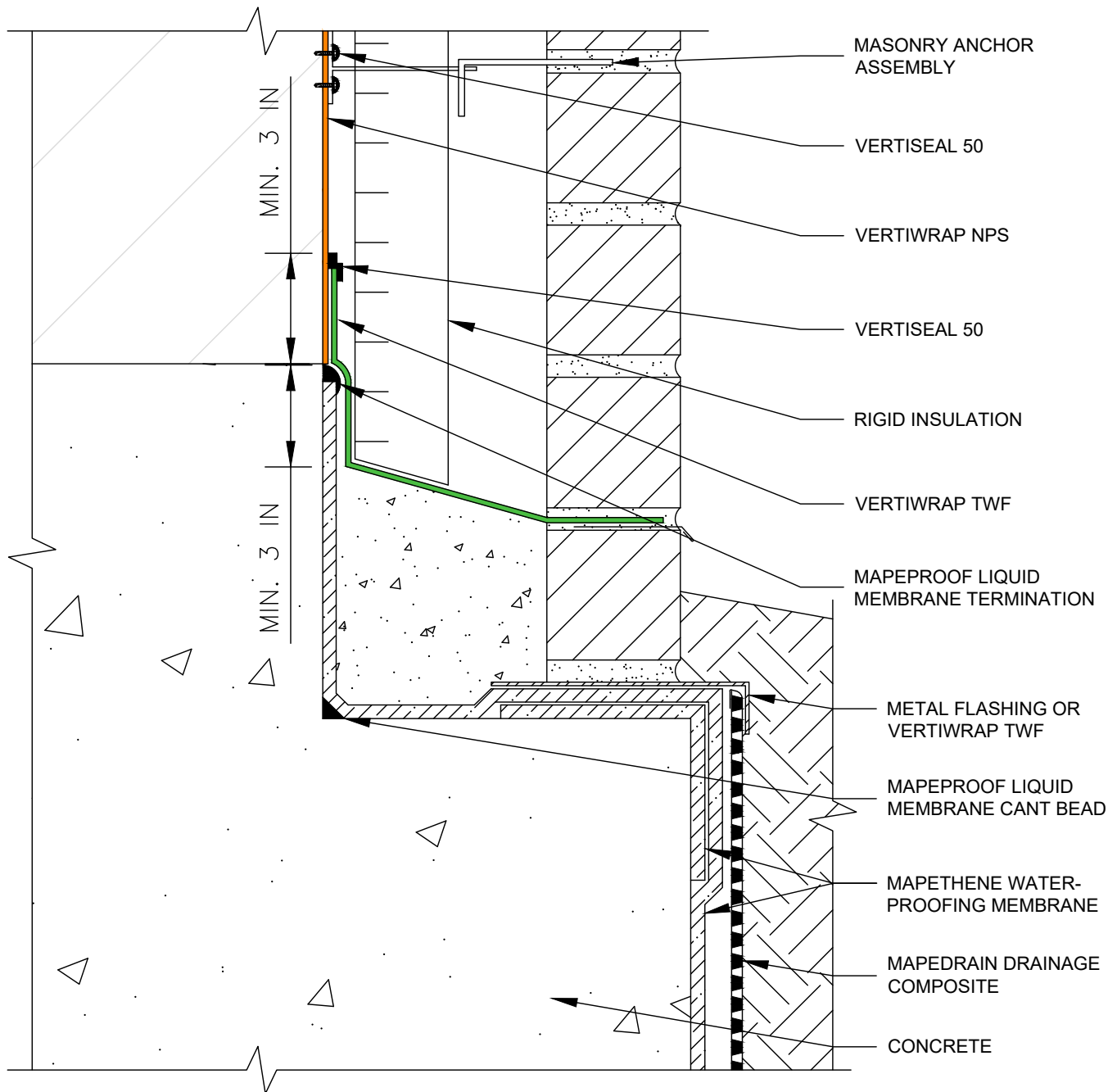
DETAIL IS INTENDED TO BE A GUIDE FOR AIR BARRIER INSTALLATION ONLY.

SUPERCEDES:
00/00/0000

DATE:
04/01/2023

SCALE:
NOT TO SCALE

DRAWING #:
VW-NPS-6A



NOTES:

1. THIS WALL ASSEMBLY MAY NOT BE SUITABLE FOR ALL CLIMATES/REGIONS. CONSULT A BUILDING SCIENCE PROFESSIONAL FOR ASSISTANCE WITH EXTERIOR WALL DESIGNS
2. INSTALL THE VERTIWRAP SYSTEM TO FORM A CONTINUOUS AIR AND WATER BARRIER
3. INSTALL PRODUCTS ACCORDING TO THEIR RESPECTIVE TECHNICAL DATA SHEETS AND APPLICATION INSTRUCTIONS

POLYGLASS



polyglass.us

1111 West Newport Center Drive
 Deerfield Beach, FL 33442
 Technical Service: (866) 794-9659
technical@polyglass.com

VERTIWRAP NPS

**BASE OF WALL
 TRANSITION TO MAPETHENE**

DETAIL IS INTENDED TO BE A GUIDE FOR AIR BARRIER INSTALLATION ONLY.

SUPERCEDES:

00/00/0000

DATE:

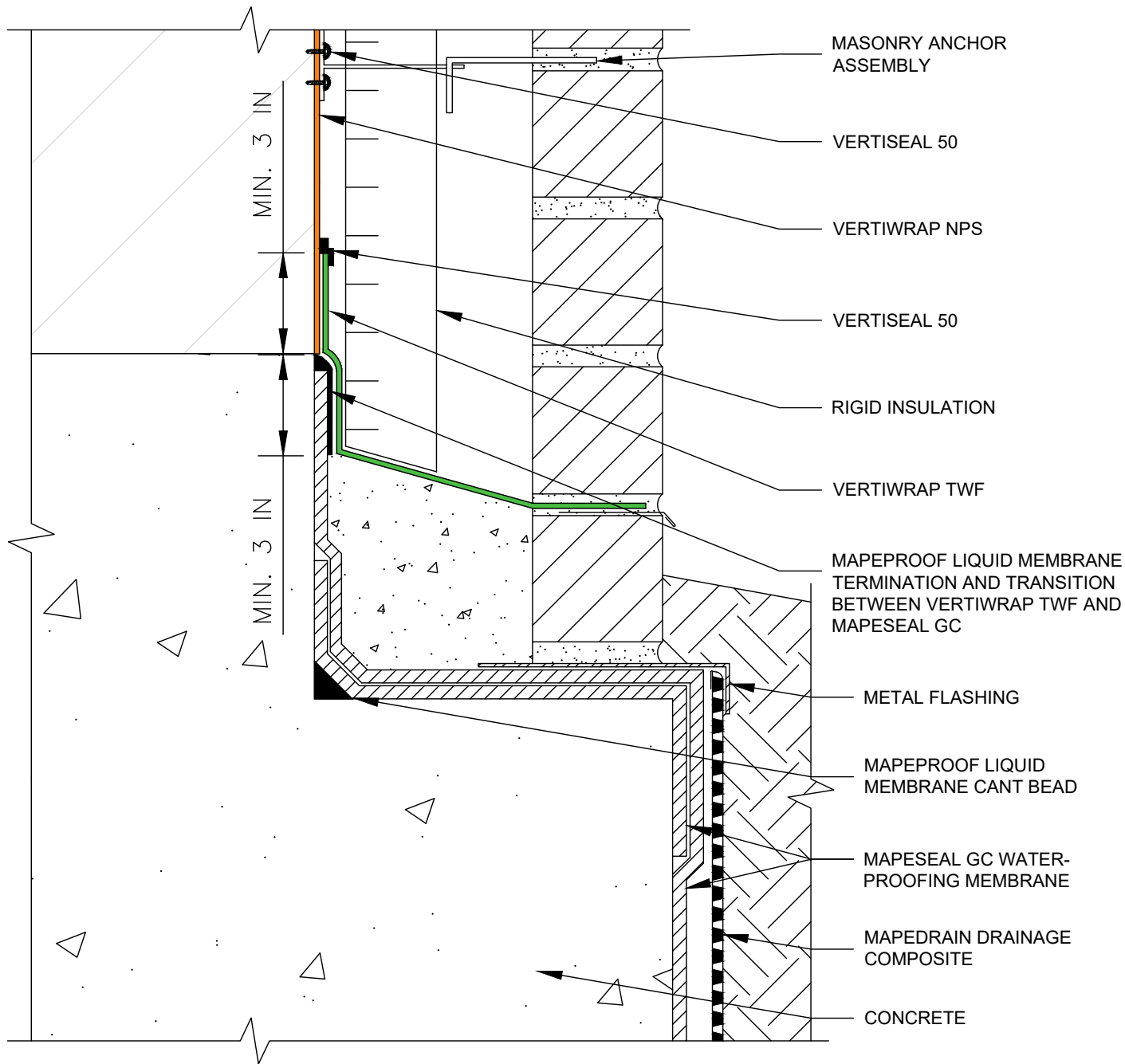
04/01/2023

SCALE:

NOT TO SCALE

DRAWING #:

VW-NPS-7A



NOTES:

1. THIS WALL ASSEMBLY MAY NOT BE SUITABLE FOR ALL CLIMATES/REGIONS. CONSULT A BUILDING SCIENCE PROFESSIONAL FOR ASSISTANCE WITH EXTERIOR WALL DESIGNS
2. INSTALL THE VERTIWRAP SYSTEM TO FORM A CONTINUOUS AIR AND WATER BARRIER
3. INSTALL PRODUCTS ACCORDING TO THEIR RESPECTIVE TECHNICAL DATA SHEETS AND APPLICATION INSTRUCTIONS

POLYGLASS



polyglass.us

1111 West Newport Center Drive
Deerfield Beach, FL 33442
Technical Service: (866) 794-9659
technical@polyglass.com

VERTIWRAP NPS

**BASE OF WALL
TRANSITION TO MAPESEAL GC**

DETAIL IS INTENDED TO BE A GUIDE FOR AIR BARRIER INSTALLATION ONLY.

SUPERCEDES:

00/00/0000

DATE:

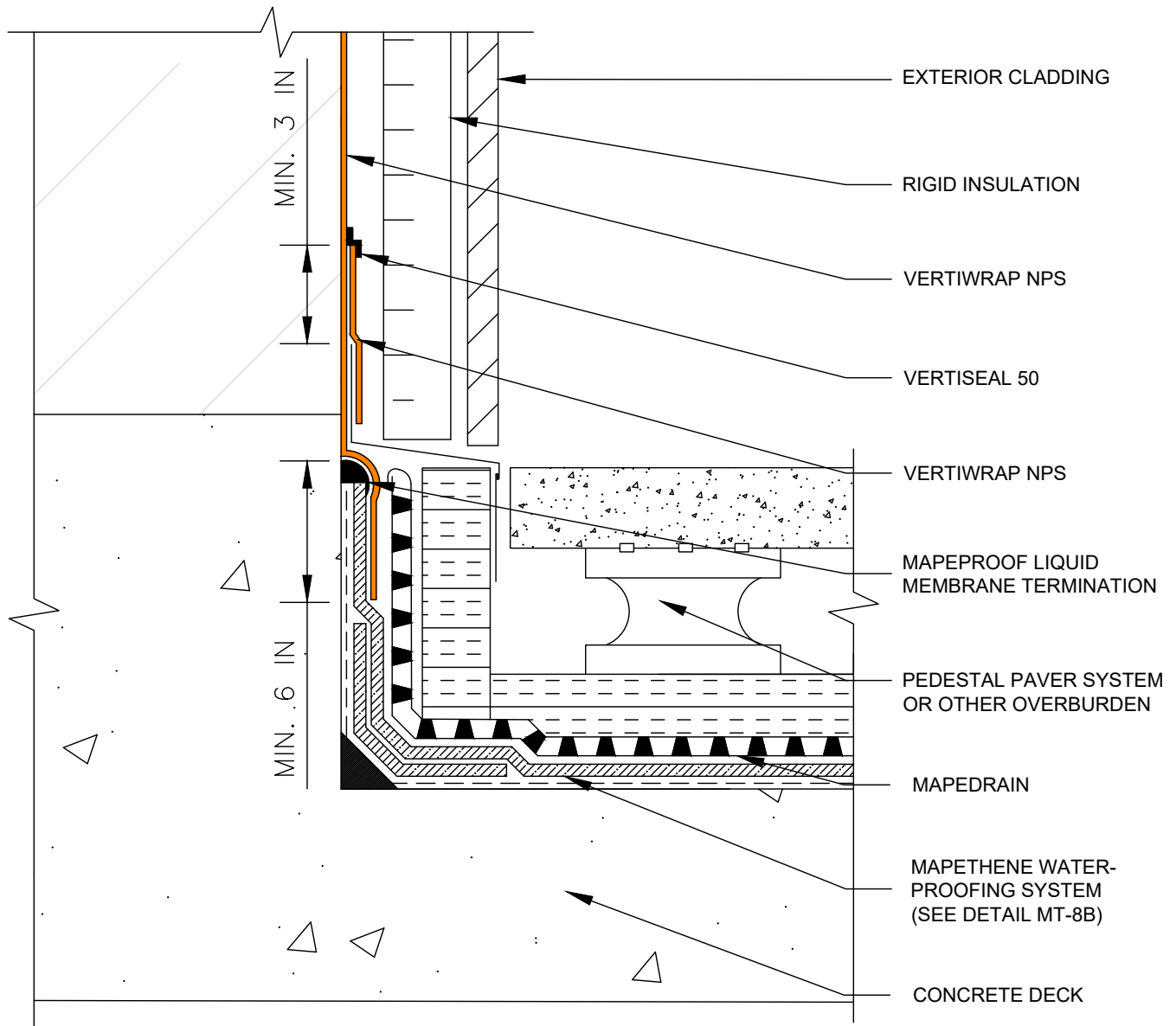
04/01/2023

SCALE:

NOT TO SCALE

DRAWING #:

VW-NPS-7B



NOTES:

1. THIS WALL ASSEMBLY MAY NOT BE SUITABLE FOR ALL CLIMATES/REGIONS. CONSULT A BUILDING SCIENCE PROFESSIONAL FOR ASSISTANCE WITH EXTERIOR WALL DESIGNS
2. INSTALL THE VERTIWRAP SYSTEM TO FORM A CONTINUOUS AIR AND WATER BARRIER
3. INSTALL PRODUCTS ACCORDING TO THEIR RESPECTIVE TECHNICAL DATA SHEETS AND APPLICATION INSTRUCTIONS

POLYGLASS



polyglass.us

1111 West Newport Center Drive
 Deerfield Beach, FL 33442
 Technical Service: (866) 794-9659
 technical@polyglass.com

VERTIWRAP NPS

**DECK TO WALL
 TRANSITION TO MAPETHENE**

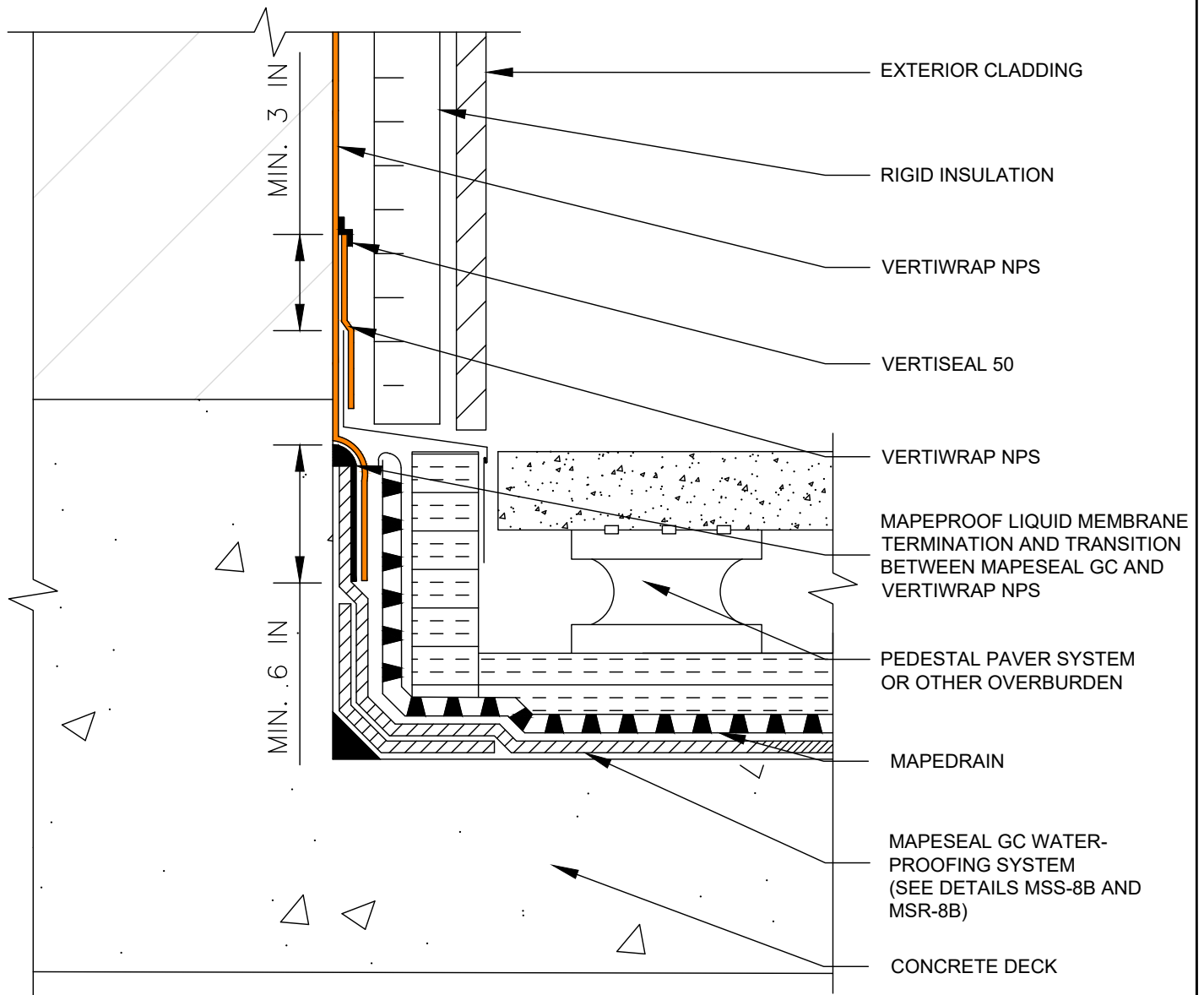
DETAIL IS INTENDED TO BE A GUIDE FOR AIR BARRIER INSTALLATION ONLY.

SUPERCEDES:
 00/00/0000

DATE:
 04/01/2023

SCALE:
 NOT TO SCALE

DRAWING #:
 VW-NPS-7C



NOTES:

1. THIS WALL ASSEMBLY MAY NOT BE SUITABLE FOR ALL CLIMATES/REGIONS. CONSULT A BUILDING SCIENCE PROFESSIONAL FOR ASSISTANCE WITH EXTERIOR WALL DESIGNS
2. INSTALL THE VERTIWRAP SYSTEM TO FORM A CONTINUOUS AIR AND WATER BARRIER
3. INSTALL PRODUCTS ACCORDING TO THEIR RESPECTIVE TECHNICAL DATA SHEETS AND APPLICATION INSTRUCTIONS

POLYGLASS



polyglass.us

1111 West Newport Center Drive
Deerfield Beach, FL 33442
Technical Service: (866) 794-9659
technical@polyglass.com

VERTIWRAP NPS

**DECK TO WALL
TRANSITION TO MAPESEAL GC**

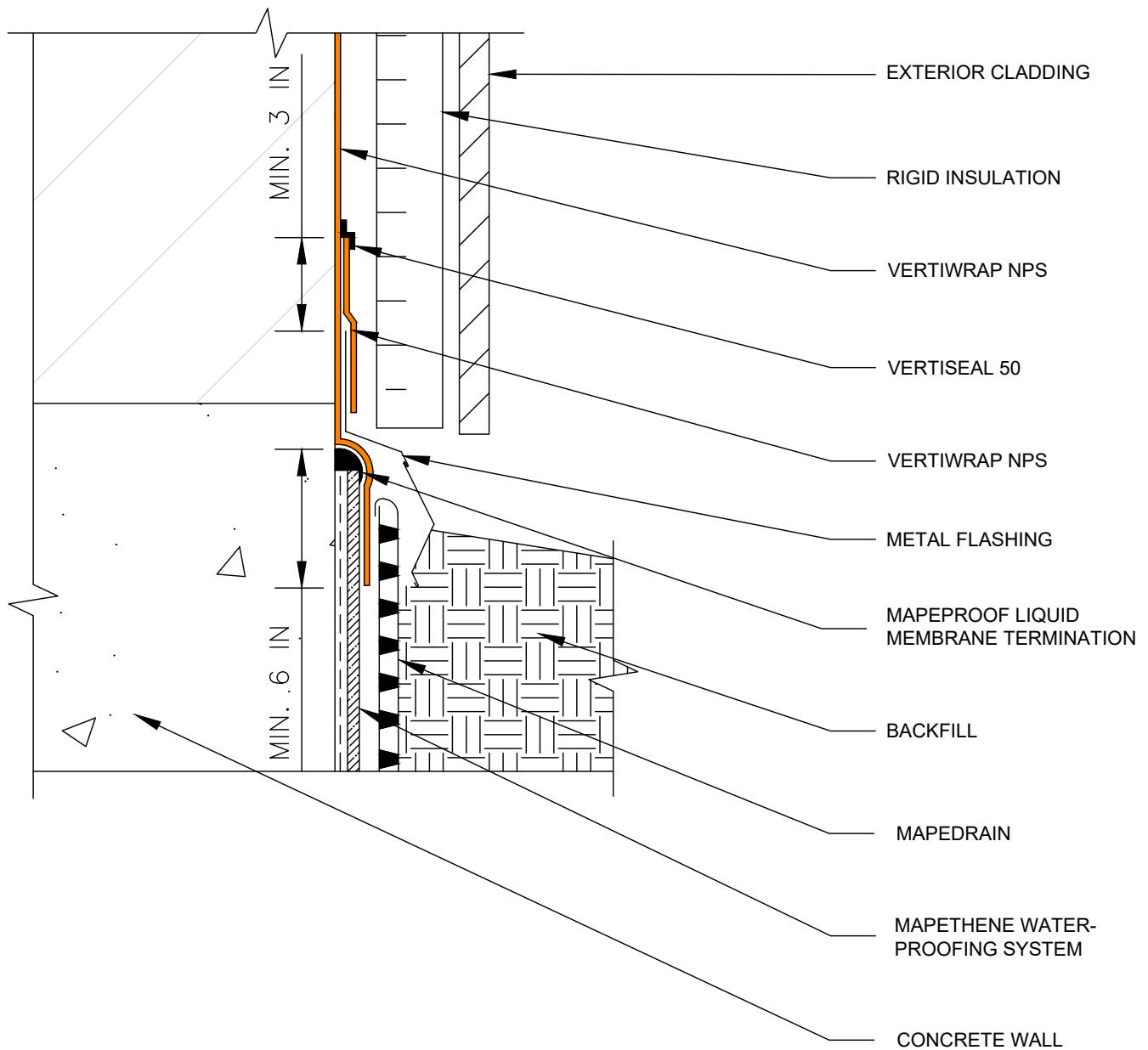
DETAIL IS INTENDED TO BE A GUIDE FOR AIR BARRIER INSTALLATION ONLY.

SUPERCEDES:
00/00/0000

DATE:
04/01/2023

SCALE:
NOT TO SCALE

DRAWING #:
VW-NPS-7D



NOTES:

1. THIS WALL ASSEMBLY MAY NOT BE SUITABLE FOR ALL CLIMATES/REGIONS. CONSULT A BUILDING SCIENCE PROFESSIONAL FOR ASSISTANCE WITH EXTERIOR WALL DESIGNS
2. INSTALL THE VERTIWRAP SYSTEM TO FORM A CONTINUOUS AIR AND WATER BARRIER
3. INSTALL PRODUCTS ACCORDING TO THEIR RESPECTIVE TECHNICAL DATA SHEETS AND APPLICATION INSTRUCTIONS

POLYGLASS



polyglass.us

1111 West Newport Center Drive
Deerfield Beach, FL 33442
Technical Service: (866) 794-9659
technical@polyglass.com

VERTIWRAP NPS

**AT GRADE
TRANSITION TO MAPETHENE**

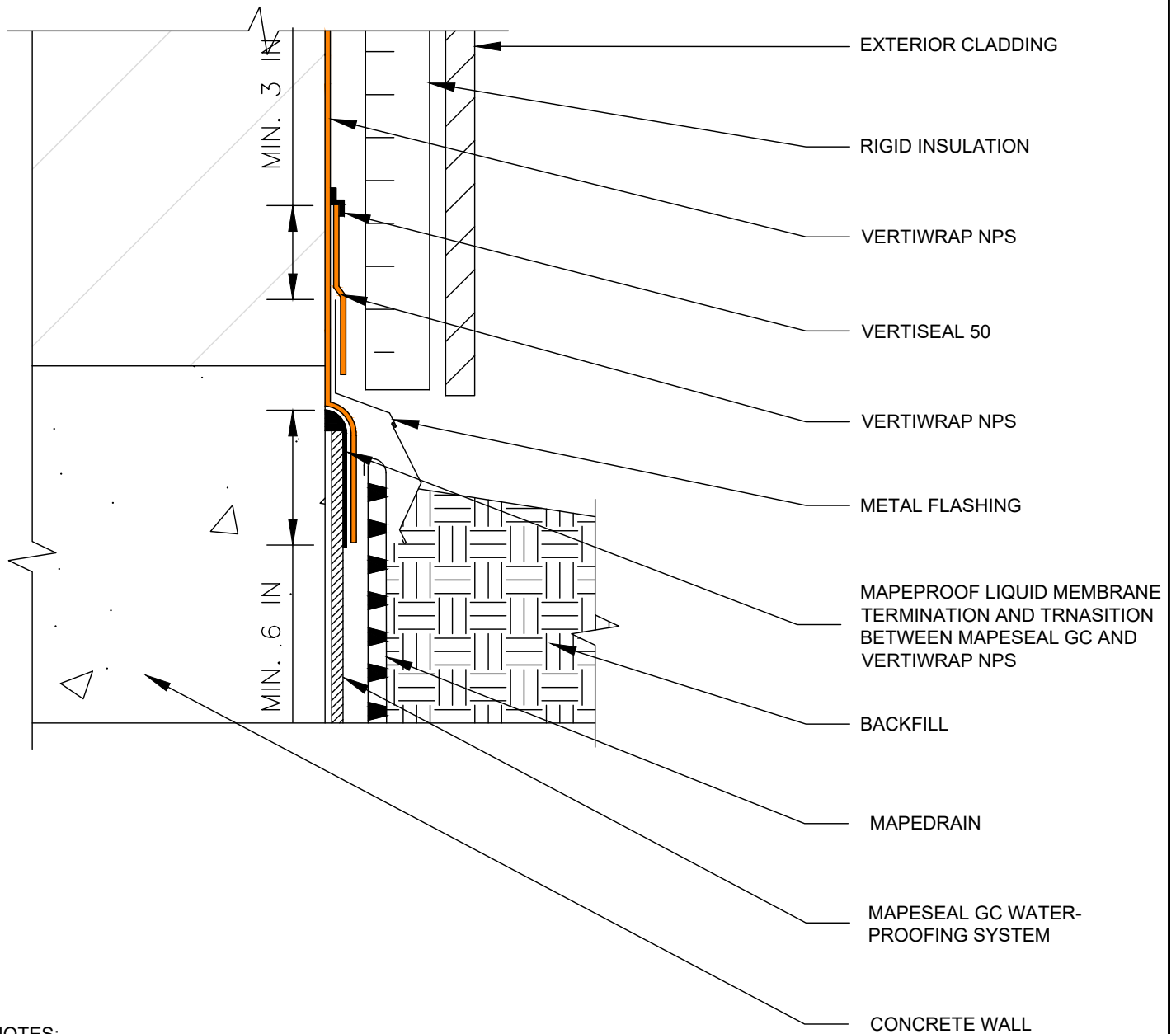
DETAIL IS INTENDED TO BE A GUIDE FOR AIR BARRIER INSTALLATION ONLY.

SUPERCEDES:
00/00/0000

DATE:
04/01/2023

SCALE:
NOT TO SCALE

DRAWING #:
VW-NPS-7E



NOTES:

1. THIS WALL ASSEMBLY MAY NOT BE SUITABLE FOR ALL CLIMATES/REGIONS. CONSULT A BUILDING SCIENCE PROFESSIONAL FOR ASSISTANCE WITH EXTERIOR WALL DESIGNS
2. INSTALL THE VERTIWRAP SYSTEM TO FORM A CONTINUOUS AIR AND WATER BARRIER
3. INSTALL PRODUCTS ACCORDING TO THEIR RESPECTIVE TECHNICAL DATA SHEETS AND APPLICATION INSTRUCTIONS

POLYGLASS



polyglass.us

1111 West Newport Center Drive
 Deerfield Beach, FL 33442
 Technical Service: (866) 794-9659
technical@polyglass.com

VERTIWRAP NPS

**AT GRADE
 TRANSITION TO MAPESEAL GC**

DETAIL IS INTENDED TO BE A GUIDE FOR AIR BARRIER INSTALLATION ONLY.

SUPERCEDES:
00/00/0000

DATE:
04/01/2023

SCALE:
NOT TO SCALE

DRAWING #:
VW-NPS-7F