

VERTIWRAP NPL DRAWING LIST

WINDOW DETAILS

MASONRY CLADDING

VW-NPL-1A	SILL DETAIL MASONRY CLADDING (OPTION-1)
VW-NPL-1B	SILL DETAIL MASONRY CLADDING (OPTION-2)
VW-NPL-1C	JAMB DETAIL MASONRY CLADDING (OPTION-1)
VW-NPL-1D	JAMB DETAIL MASONRY CLADDING (OPTION-2)
VW-NPL-1E	HEAD DETAIL MASONRY CLADDING (OPTION-1)
VW-NPL-1F	HEAD DETAIL MASONRY CLADDING (OPTION-2)

NON-MASONRY CLADDING

VW-NPL-1G	SILL DETAIL NON-MASONRY CLADDING (OPTION-1)
VW-NPL-1H	SILL DETAIL NON-MASONRY CLADDING (OPTION-2)
VW-NPL-1I	JAMB DETAIL NON-MASONRY CLADDING (OPTION-1)
VW-NPL-1J	JAMB DETAIL NON-MASONRY CLADDING (OPTION-2)
VW-NPL-1K	HEAD DETAIL NON-MASONRY CLADDING (OPTION-1)
VW-NPL-1L	HEAD DETAIL NON-MASONRY CLADDING (OPTION-2)

VW-NPL-1M	SELF-ADHERED WINDOW FLASHING
VW-NPL-1N	VERTISEAL 50 FLASHING - ROUGH OPENING
VW-NPL-1O	NPL FLASHING OPTION - ROUGH OPENING

FLOOR LINE DETAILS

VW-NPL-2A	FLOOR LINE TRANSITION MASONRY CLADDING (OPTION-1)
VW-NPL-2B	FLOOR LINE TRANSITION MASONRY CLADDING (OPTION-2)

CORNER DETAILS

VW-NPL-3A	OUTSIDE CORNER (OPTION-1)
VW-NPL-3B	OUTSIDE CORNER (OPTION-2)
VW-NPL-3C	INSIDE CORNER (OPTION-1)
VW-NPL-3D	INSIDE CORNER (OPTION-2)

JOINTS

VW-NPL-4A	DEFLECTION JOINT
VW-NPL-4B	CONTROL JOINT
VW-NPL-4C	SHEATHING JOINT TREATMENT
VW-NPL-4D	EXPANSION JOINT

PENETRATIONS

VW-NPL-5A	PENETRATION
-----------	-------------

PARAPET

VW-NPL-6A	PARAPET
-----------	---------

TRANSITION TO WATERPROOFING

VW-NPL-7A	BASE OF WALL TRANSITION TO MAPETHENE
VW-NPL-7B	BASE OF WALL TRANSITION TO MAPESEAL GC
VW-NPL-7C	DECK TO WALL TRANSITION TO MAPETHENE
VW-NPL-7D	DECK TO WALL TRANSITION TO MAPESEAL GC
VW-NPL-7E	AT GRADE TRANSITION TO MAPETHENE
VW-NPL-7F	AT GRADE TRANSITION TO MAPESEAL GC



polyglass.us

1111 West Newport Center Drive
Deerfield Beach, FL 33442
Technical Service: (866) 794-9659
technical@polyglass.com

VERTIWRAP NPL

DETAIL DRAWING LIST

DETAIL IS INTENDED TO BE A GUIDE FOR AIR BARRIER INSTALLATION ONLY.

SUPERCEDES:

00/00/0000

DATE:

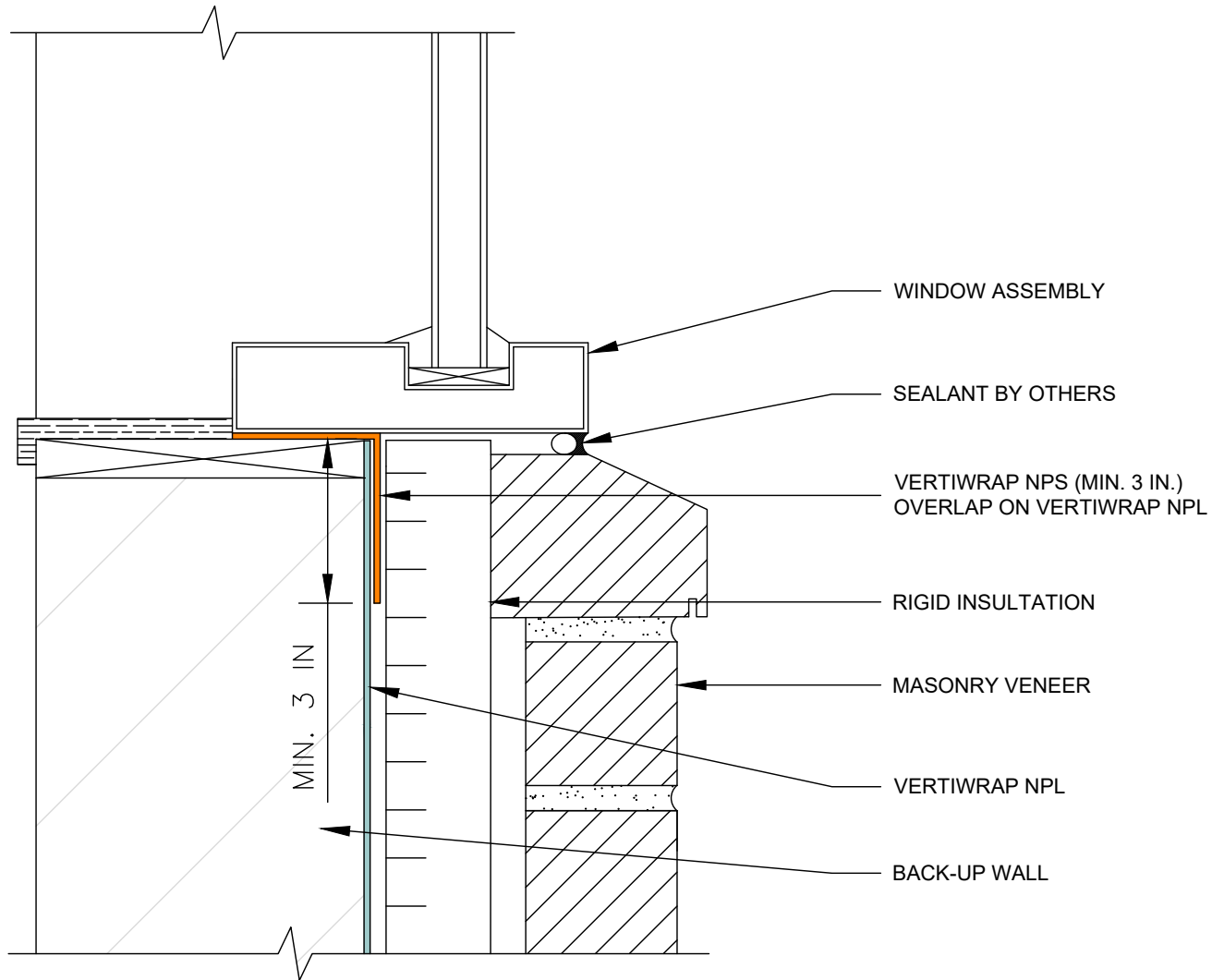
04/01/2023

SCALE:

NOT TO SCALE

DRAWING #:

VW-NPL-1



NOTES:

1. THIS WALL ASSEMBLY MAY NOT BE SUITABLE FOR ALL CLIMATES/REGIONS. CONSULT A BUILDING SCIENCE PROFESSIONAL FOR ASSISTANCE WITH EXTERIOR WALL DESIGNS
2. INSTALL THE VERTIWRAP SYSTEM TO FORM A CONTINUOUS AIR AND WATER BARRIER
3. VERTIWRAP NPS SHOULD EXTEND INTO THE WINDOW OPENING AT A DIMENSION PER THE PROJECT DESIGN
4. INSTALL PRODUCTS ACCORDING TO THEIR RESPECTIVE TECHNICAL DATA SHEETS AND APPLICATION INSTRUCTIONS

POLYGLASS



polyglass.us

1111 West Newport Center Drive
Deerfield Beach, FL 33442
Technical Service: (866) 794-9659
technical@polyglass.com

VERTIWRAP NPL

**WINDOW SILL
MASONRY CLADDING (OPTION-1)**

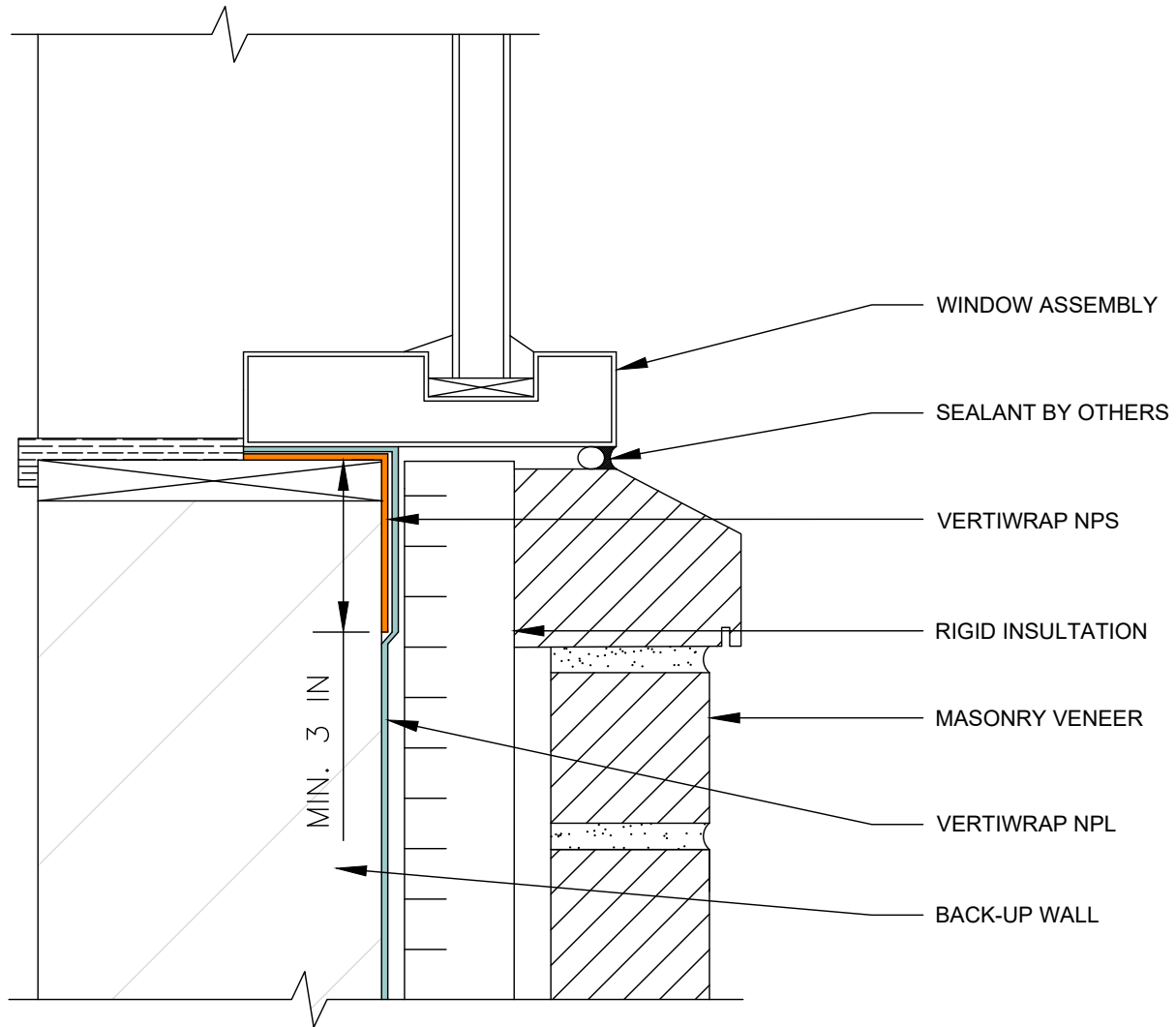
DETAIL IS INTENDED TO BE A GUIDE FOR AIR BARRIER INSTALLATION ONLY.

SUPERCEDES:
00/00/0000

DATE:
04/01/2023

SCALE:
NOT TO SCALE

DRAWING #:
VW-NPL-1A



NOTES:

1. THIS WALL ASSEMBLY MAY NOT BE SUITABLE FOR ALL CLIMATES/REGIONS. CONSULT A BUILDING SCIENCE PROFESSIONAL FOR ASSISTANCE WITH EXTERIOR WALL DESIGNS
2. INSTALL THE VERTIWRAP SYSTEM TO FORM A CONTINUOUS AIR AND WATER BARRIER
3. VERTIWRAP NPS SHOULD EXTEND INTO THE WINDOW OPENING AT A DIMENSION PER THE PROJECT DESIGN
4. INSTALL PRODUCTS ACCORDING TO THEIR RESPECTIVE TECHNICAL DATA SHEETS AND APPLICATION INSTRUCTIONS

POLYGLASS



polyglass.us

1111 West Newport Center Drive
Deerfield Beach, FL 33442
Technical Service: (866) 794-9659
technical@polyglass.com

VERTIWRAP NPL

**WINDOW SILL
MASONRY CLADDING (OPTION-2)**

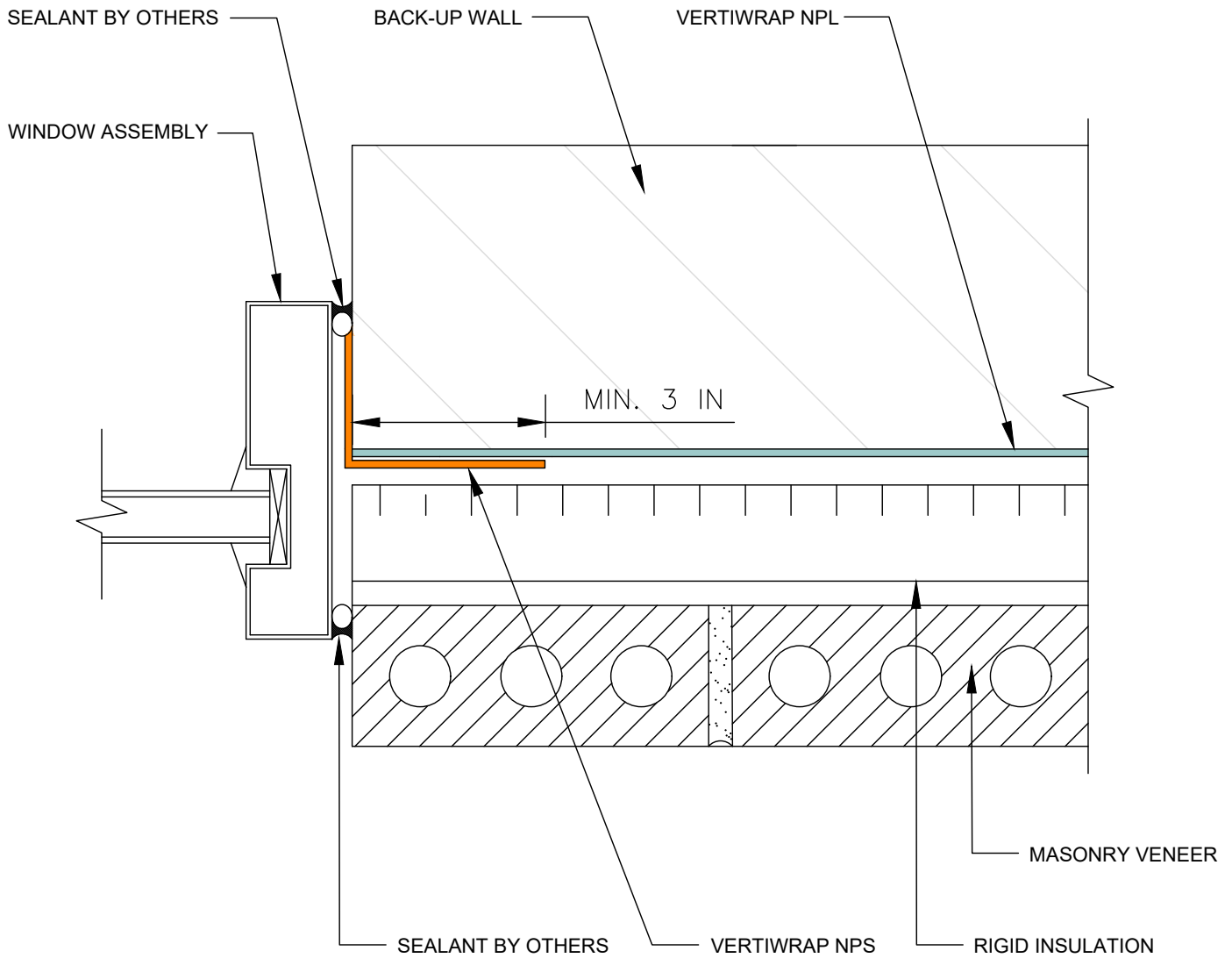
DETAIL IS INTENDED TO BE A GUIDE FOR AIR BARRIER INSTALLATION ONLY.

SUPERCEDES:
00/00/0000

DATE:
04/01/2023

SCALE:
NOT TO SCALE

DRAWING #:
VW-NPL-1B



NOTES:

1. THIS WALL ASSEMBLY MAY NOT BE SUITABLE FOR ALL CLIMATES/REGIONS. CONSULT A BUILDING SCIENCE PROFESSIONAL FOR ASSISTANCE WITH EXTERIOR WALL DESIGNS
2. INSTALL THE VERTIWRAP SYSTEM TO FORM A CONTINUOUS AIR AND WATER BARRIER
3. VERTIWRAP NPS SHOULD EXTEND INTO THE WINDOW OPENING AT A DIMENSION PER THE PROJECT DESIGN
4. VERTIWRAP NPS MAY BE OMITTED AT JAMB AND VERTIWRAP NPL CAN BE EXTENDED INTO THE ROUGH OPENING
5. INSTALL PRODUCTS ACCORDING TO THEIR RESPECTIVE TECHNICAL DATA SHEETS AND APPLICATION INSTRUCTIONS

POLYGLASS



polyglass.us

1111 West Newport Center Drive
Deerfield Beach, FL 33442
Technical Service: (866) 794-9659
technical@polyglass.com

VERTIWRAP NPL

**WINDOW JAMB
MASONRY CLADDING (OPTION-1)**

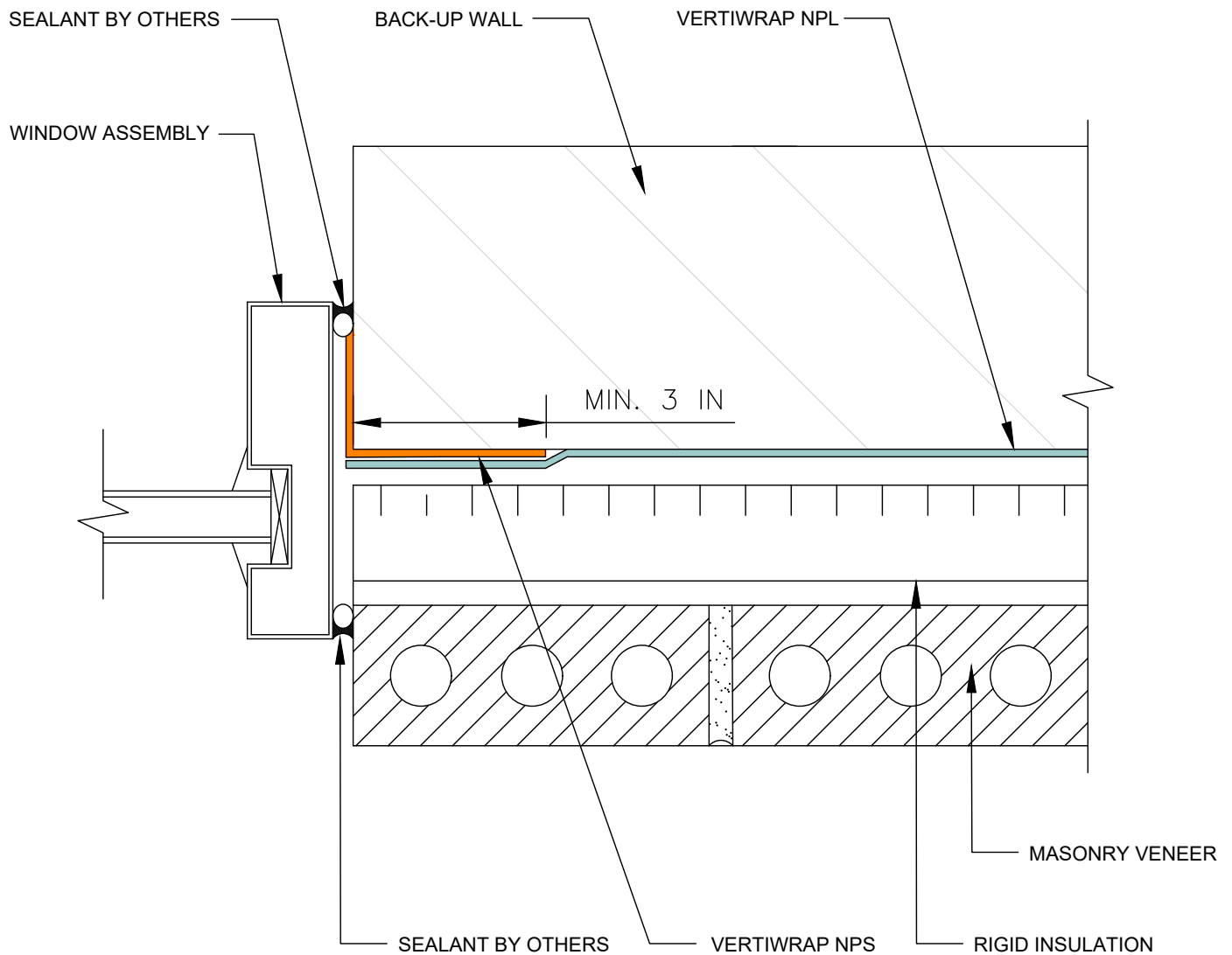
DETAIL IS INTENDED TO BE A GUIDE FOR AIR BARRIER INSTALLATION ONLY.

SUPERCEDES:
00/00/0000

DATE:
04/01/2023

SCALE:
NOT TO SCALE

DRAWING #:
VW-NPL-1C



NOTES:

1. THIS WALL ASSEMBLY MAY NOT BE SUITABLE FOR ALL CLIMATES/REGIONS. CONSULT A BUILDING SCIENCE PROFESSIONAL FOR ASSISTANCE WITH EXTERIOR WALL DESIGNS
2. INSTALL THE VERTIWRAP SYSTEM TO FORM A CONTINUOUS AIR AND WATER BARRIER
3. VERTIWRAP NPS SHOULD EXTEND INTO THE WINDOW OPENING AT A DIMENSION PER THE PROJECT DESIGN
4. VERTIWRAP NPS MAY BE OMITTED AT JAMB AND VERTIWRAP NPL CAN BE EXTENDED INTO THE ROUGH OPENING
5. INSTALL PRODUCTS ACCORDING TO THEIR RESPECTIVE TECHNICAL DATA SHEETS AND APPLICATION INSTRUCTIONS

POLYGLASS



polyglass.us

1111 West Newport Center Drive
Deerfield Beach, FL 33442
Technical Service: (866) 794-9659
technical@polyglass.com

VERTIWRAP NPL

**WINDOW JAMB
MASONRY CLADDING (OPTION-2)**

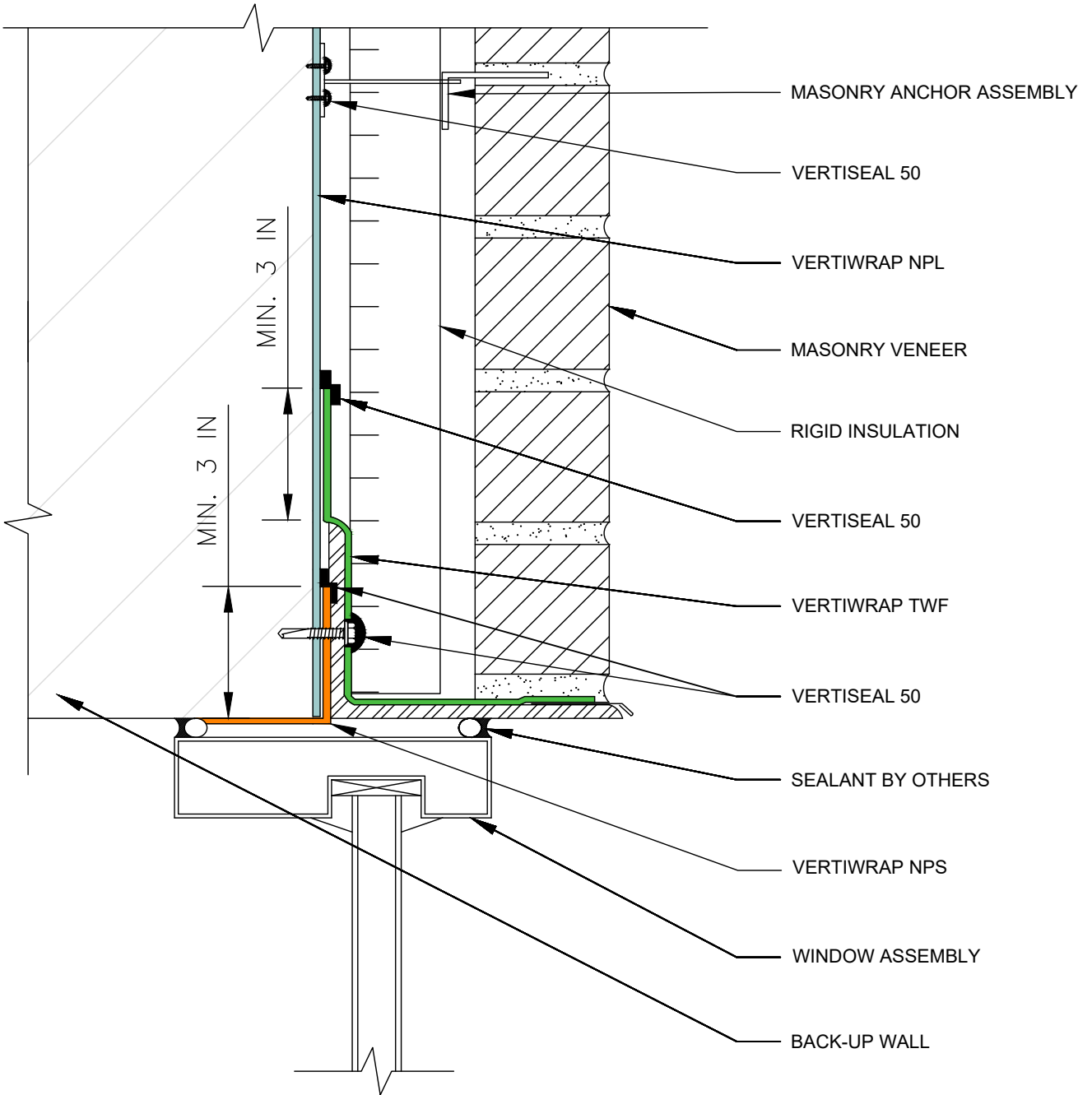
DETAIL IS INTENDED TO BE A GUIDE FOR AIR BARRIER INSTALLATION ONLY.

SUPERCEDES:
00/00/0000

DATE:
04/01/2023

SCALE:
NOT TO SCALE

DRAWING #:
VW-NPL-1D



NOTES:

1. THIS WALL ASSEMBLY MAY NOT BE SUITABLE FOR ALL CLIMATES/REGIONS. CONSULT A BUILDING SCIENCE PROFESSIONAL FOR ASSISTANCE WITH EXTERIOR WALL DESIGNS
2. INSTALL THE VERTIWRAP SYSTEM TO FORM A CONTINUOUS AIR AND WATER BARRIER
3. VERTIWRAP NPS SHOULD EXTEND INTO THE WINDOW OPENING AT A DIMENSION PER THE PROJECT DESIGN
4. VERTIWRAP NPS MAY BE OMITTED AT HEAD AND VERTIWRAP NPL CAN BE EXTENDED INTO THE ROUGH OPENING
5. INSTALL PRODUCTS ACCORDING TO THEIR RESPECTIVE TECHNICAL DATA SHEETS AND APPLICATION INSTRUCTIONS

POLYGLASS



polyglass.us

1111 West Newport Center Drive
Deerfield Beach, FL 33442
Technical Service: (866) 794-9659
technical@polyglass.com

VERTIWRAP NPL

**WINDOW HEAD
MASONRY CLADDING (OPTION-1)**

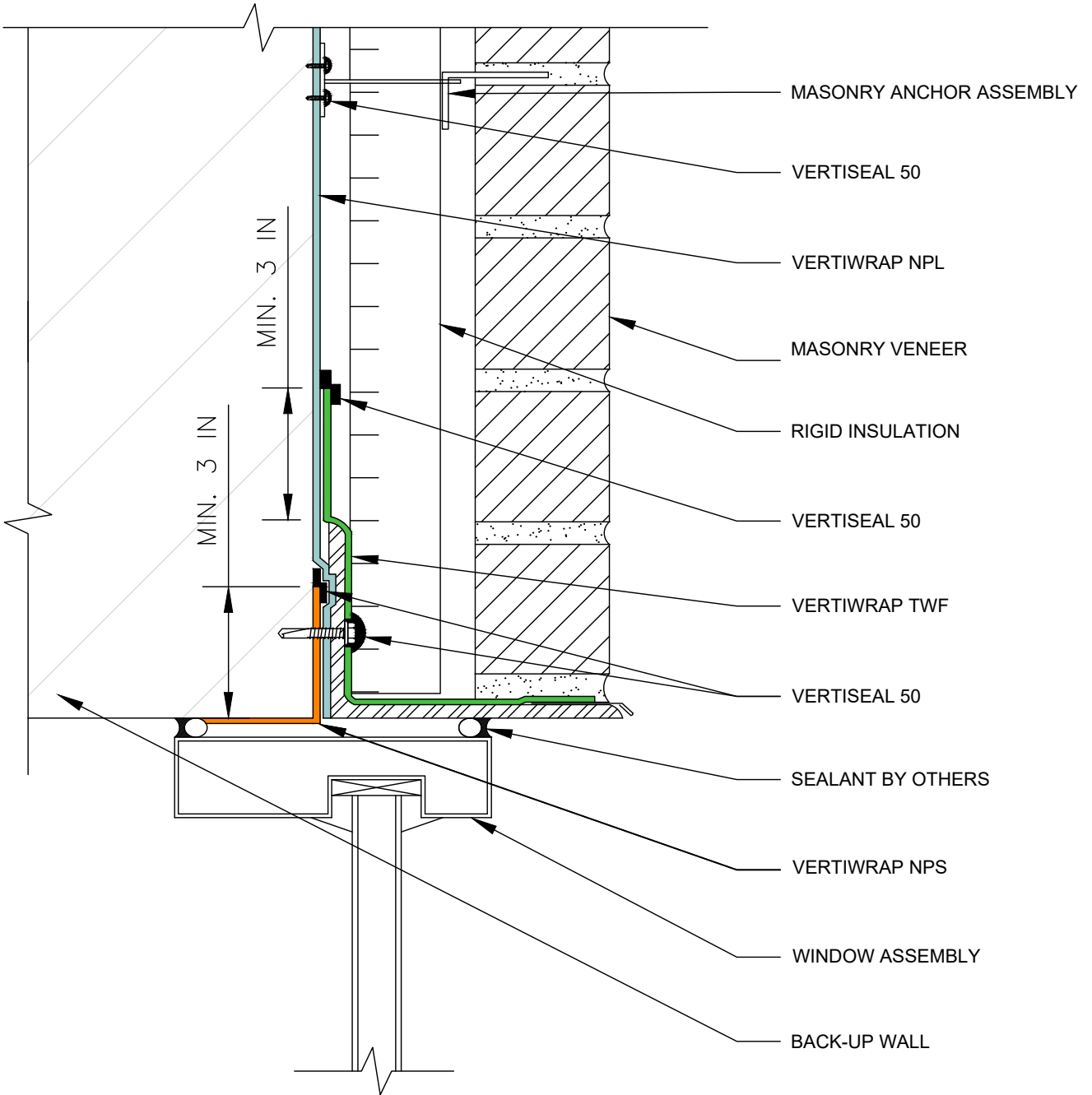
DETAIL IS INTENDED TO BE A GUIDE FOR AIR BARRIER INSTALLATION ONLY.

SUPERCEDES:
00/00/0000

DATE:
04/01/2023

SCALE:
NOT TO SCALE

DRAWING #:
VW-NPL-1E



NOTES:

1. THIS WALL ASSEMBLY MAY NOT BE SUITABLE FOR ALL CLIMATES/REGIONS. CONSULT A BUILDING SCIENCE PROFESSIONAL FOR ASSISTANCE WITH EXTERIOR WALL DESIGNS
2. INSTALL THE VERTIWRAP SYSTEM TO FORM A CONTINUOUS AIR AND WATER BARRIER
3. VERTIWRAP NPS SHOULD EXTEND INTO THE WINDOW OPENING AT A DIMENSION PER THE PROJECT DESIGN
4. VERTIWRAP NPS MAY BE OMITTED AT HEAD AND VERTIWRAP NPL CAN BE EXTENDED INTO THE ROUGH OPENING
5. INSTALL PRODUCTS ACCORDING TO THEIR RESPECTIVE TECHNICAL DATA SHEETS AND APPLICATION INSTRUCTIONS

POLYGLASS



polyglass.us

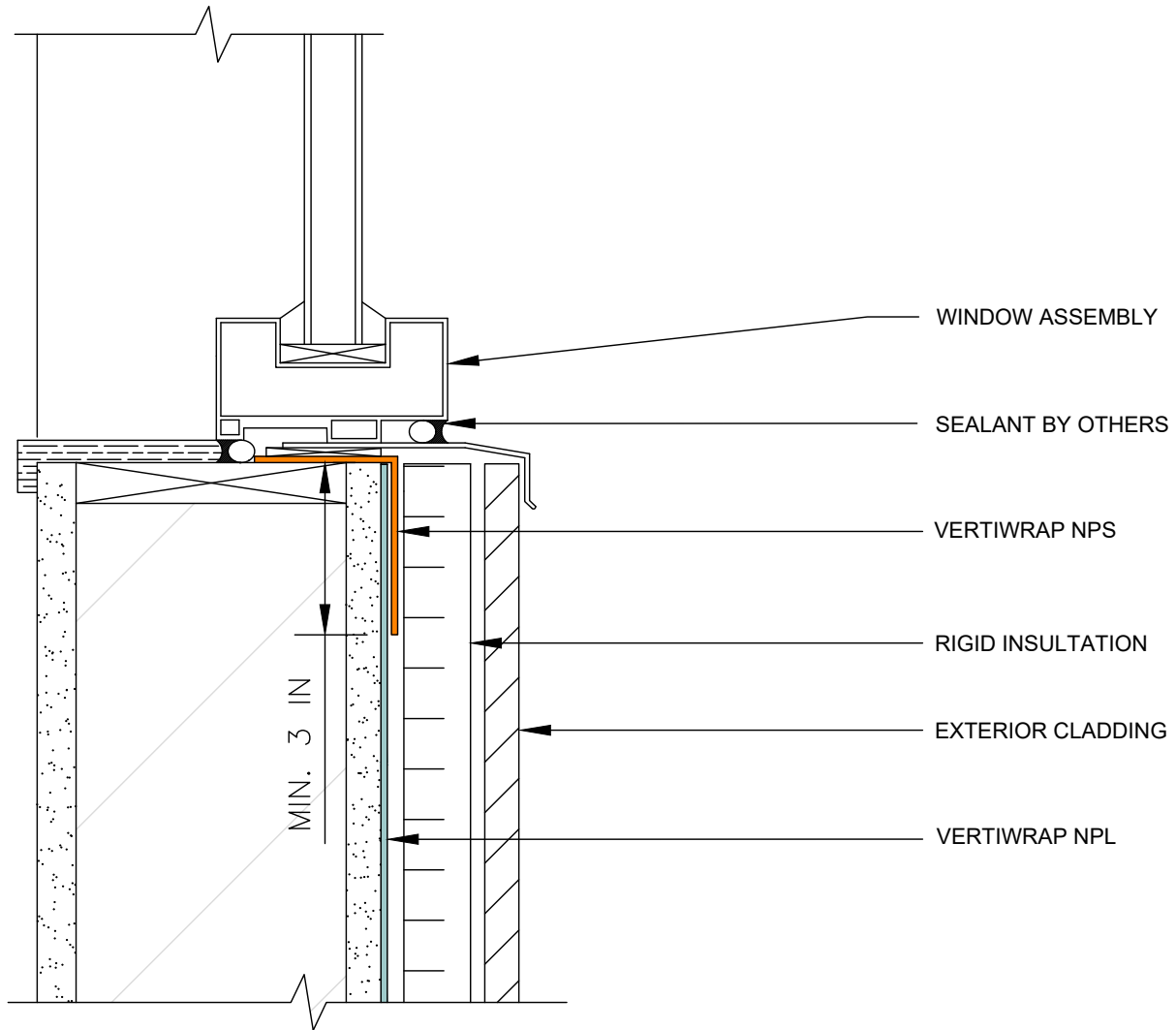
1111 West Newport Center Drive
 Deerfield Beach, FL 33442
 Technical Service: (866) 794-9659
technical@polyglass.com

VERTIWRAP NPL

**WINDOW HEAD
 MASONRY CLADDING (OPTION-2)**

DETAIL IS INTENDED TO BE A GUIDE FOR AIR BARRIER INSTALLATION ONLY.

SUPERCEDES:	00/00/0000
DATE:	04/01/2023
SCALE:	NOT TO SCALE
DRAWING #:	VW-NPL-1F



NOTES:

1. THIS WALL ASSEMBLY MAY NOT BE SUITABLE FOR ALL CLIMATES/REGIONS. CONSULT A BUILDING SCIENCE PROFESSIONAL FOR ASSISTANCE WITH EXTERIOR WALL DESIGNS
2. INSTALL THE VERTIWRAP SYSTEM TO FORM A CONTINUOUS AIR AND WATER BARRIER
3. VERTIWRAP NPS SHOULD EXTEND INTO THE WINDOW OPENING AT A DIMENSION PER THE PROJECT DESIGN
4. INSTALL PRODUCTS ACCORDING TO THEIR RESPECTIVE TECHNICAL DATA SHEETS AND APPLICATION INSTRUCTIONS

POLYGLASS



polyglass.us

1111 West Newport Center Drive
Deerfield Beach, FL 33442
Technical Service: (866) 794-9659
technical@polyglass.com

**VERTIWRAP NPL
WINDOW SILL
NON-MASONRY CLADDING
(OPTION-1)**

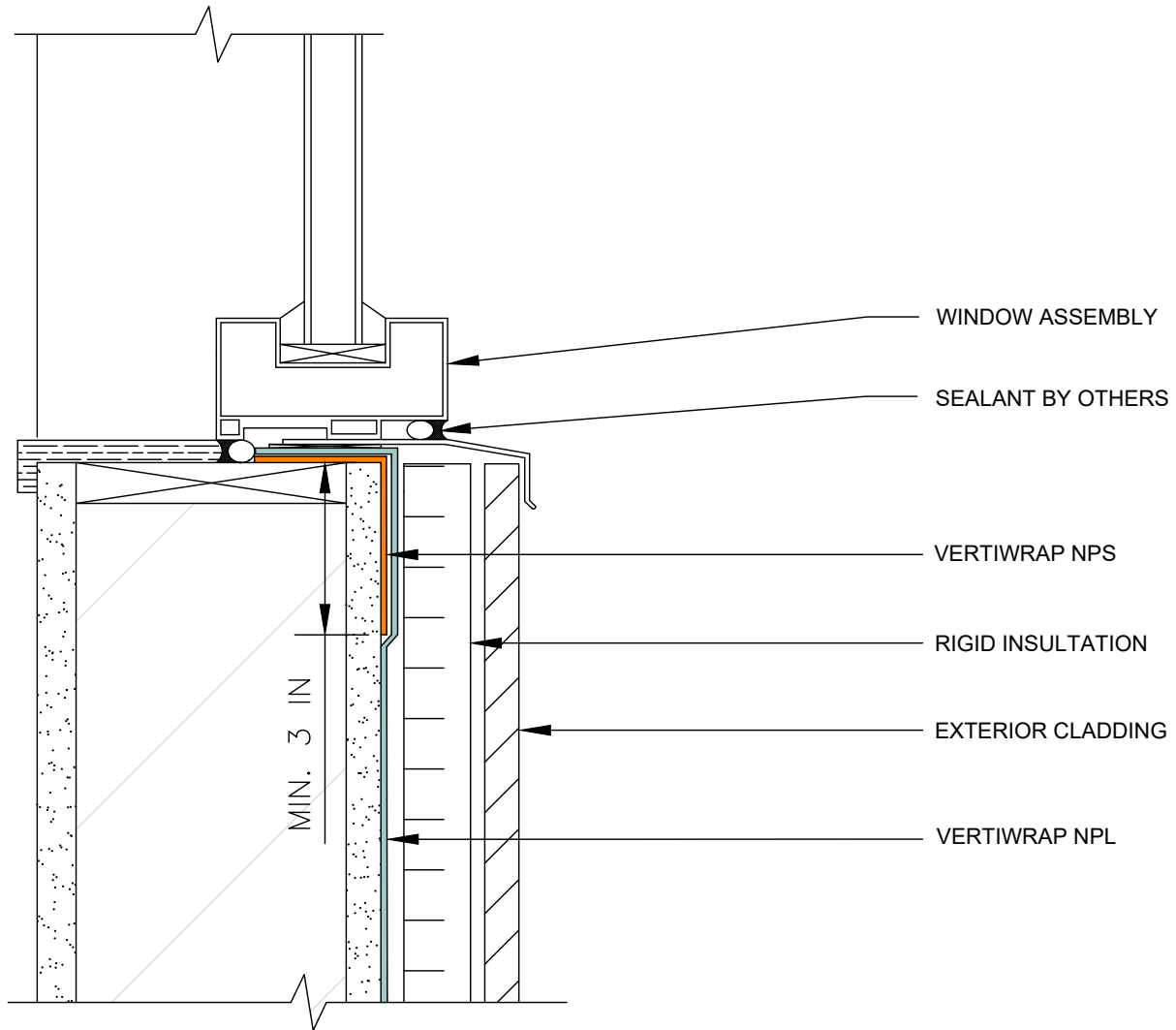
DETAIL IS INTENDED TO BE A GUIDE FOR AIR BARRIER INSTALLATION ONLY.

SUPERCEDES:
00/00/0000

DATE:
04/01/2023

SCALE:
NOT TO SCALE

DRAWING #:
VW-NPL-1G



NOTES:

1. THIS WALL ASSEMBLY MAY NOT BE SUITABLE FOR ALL CLIMATES/REGIONS. CONSULT A BUILDING SCIENCE PROFESSIONAL FOR ASSISTANCE WITH EXTERIOR WALL DESIGNS
2. INSTALL THE VERTIWRAP SYSTEM TO FORM A CONTINUOUS AIR AND WATER BARRIER
3. VERTIWRAP NPS SHOULD EXTEND INTO THE WINDOW OPENING AT A DIMENSION PER THE PROJECT DESIGN
4. INSTALL PRODUCTS ACCORDING TO THEIR RESPECTIVE TECHNICAL DATA SHEETS AND APPLICATION INSTRUCTIONS

POLYGLASS



polyglass.us

1111 West Newport Center Drive
Deerfield Beach, FL 33442
Technical Service: (866) 794-9659
technical@polyglass.com

**VERTIWRAP NPL
WINDOW SILL
NON-MASONRY CLADDING
(OPTION-2)**

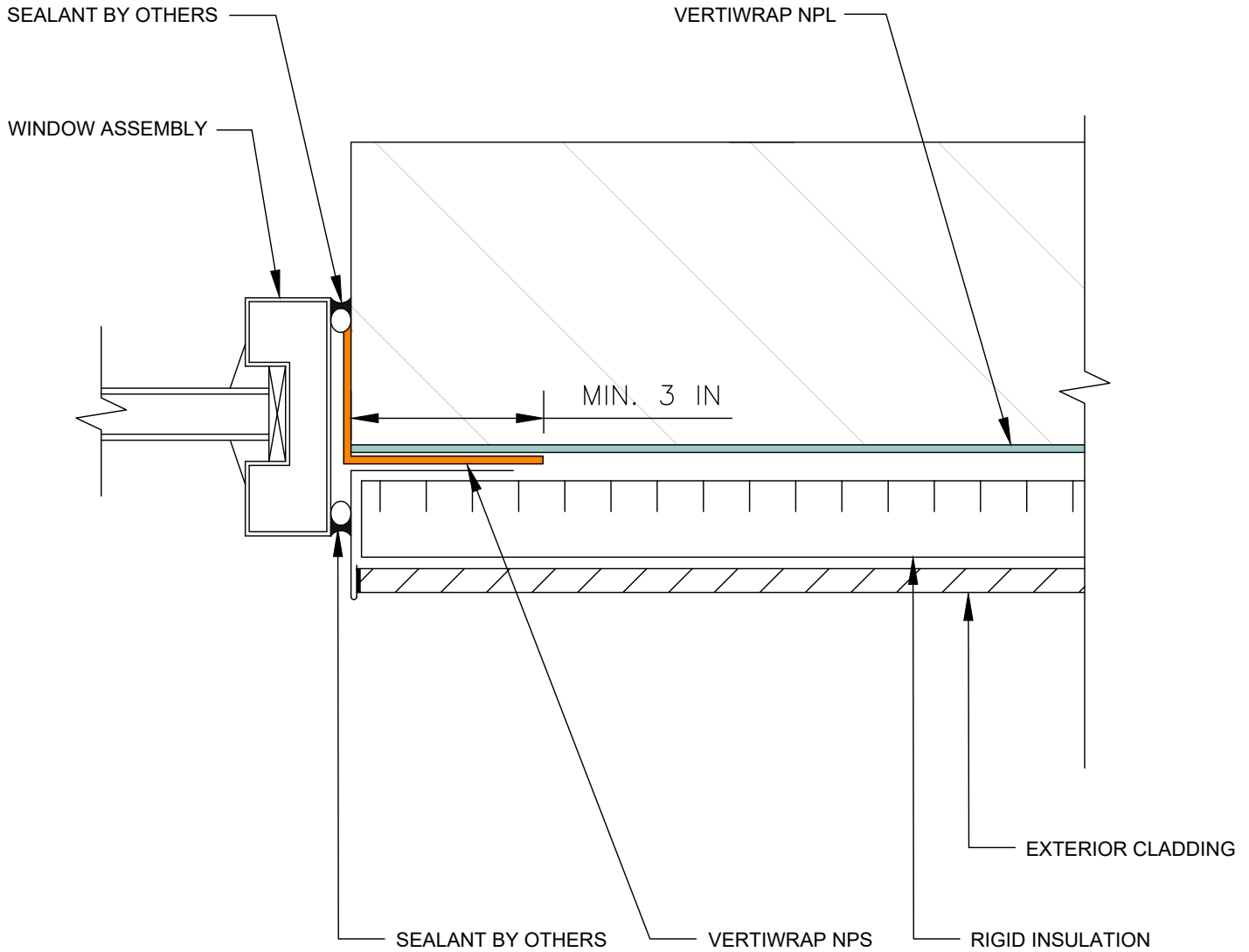
DETAIL IS INTENDED TO BE A GUIDE FOR AIR BARRIER INSTALLATION ONLY.

SUPERCEDES:
00/00/0000

DATE:
04/01/2023

SCALE:
NOT TO SCALE

DRAWING #:
VW-NPL-1H



NOTES:

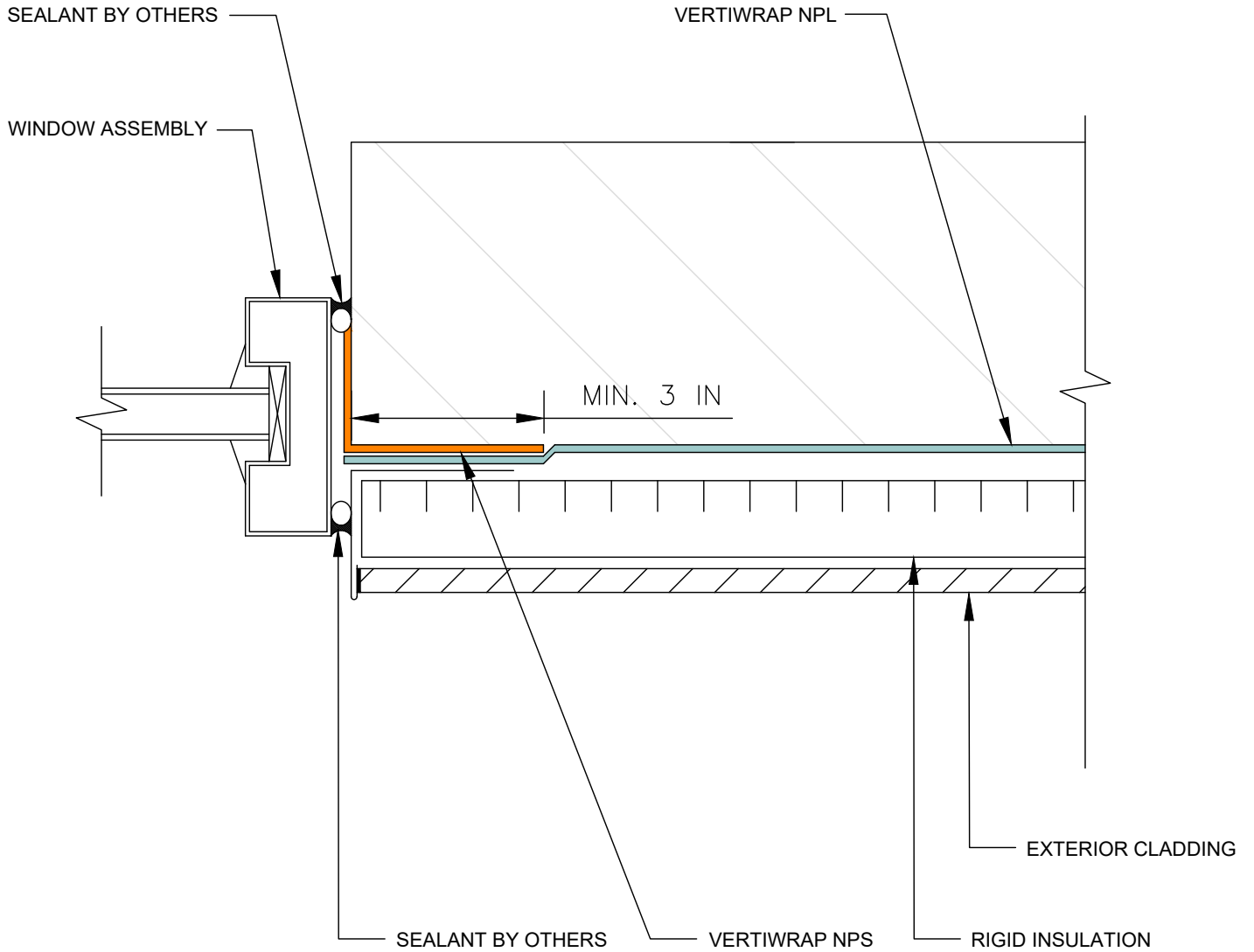
1. THIS WALL ASSEMBLY MAY NOT BE SUITABLE FOR ALL CLIMATES/REGIONS. CONSULT A BUILDING SCIENCE PROFESSIONAL FOR ASSISTANCE WITH EXTERIOR WALL DESIGNS
2. INSTALL THE VERTIWRAP SYSTEM TO FORM A CONTINUOUS AIR AND WATER BARRIER
3. VERTIWRAP NPS SHOULD EXTEND INTO THE WINDOW OPENING AT A DIMENSION PER THE PROJECT DESIGN
4. VERTIWRAP NPS MAY BE OMITTED AT JAMB AND VERTIWRAP NPL CAN BE EXTENDED INTO THE ROUGH OPENING
5. INSTALL PRODUCTS ACCORDING TO THEIR RESPECTIVE TECHNICAL DATA SHEETS AND APPLICATION INSTRUCTIONS

POLYGLASS
 MAPEI GROUP
 polyglass.us
 1111 West Newport Center Drive
 Deerfield Beach, FL 33442
 Technical Service: (866) 794-9659
 technical@polyglass.com

**VERTIWRAP NPL
 WINDOW JAMB
 NON-MASONRY CLADDING
 (OPTION-1)**

DETAIL IS INTENDED TO BE A GUIDE FOR AIR BARRIER INSTALLATION ONLY.

SUPERCEDES:	00/00/0000
DATE:	04/01/2023
SCALE:	NOT TO SCALE
DRAWING #:	VW-NPL-1I



NOTES:

1. THIS WALL ASSEMBLY MAY NOT BE SUITABLE FOR ALL CLIMATES/REGIONS. CONSULT A BUILDING SCIENCE PROFESSIONAL FOR ASSISTANCE WITH EXTERIOR WALL DESIGNS
2. INSTALL THE VERTIWRAP SYSTEM TO FORM A CONTINUOUS AIR AND WATER BARRIER
3. VERTIWRAP NPS SHOULD EXTEND INTO THE WINDOW OPENING AT A DIMENSION PER THE PROJECT DESIGN
4. VERTIWRAP NPS MAY BE OMITTED AT JAMB AND VERTIWRAP NPL CAN BE EXTENDED INTO THE ROUGH OPENING
5. INSTALL PRODUCTS ACCORDING TO THEIR RESPECTIVE TECHNICAL DATA SHEETS AND APPLICATION INSTRUCTIONS

POLYGLASS



polyglass.us

1111 West Newport Center Drive
Deerfield Beach, FL 33442
Technical Service: (866) 794-9659
technical@polyglass.com

**VERTIWRAP NPL
WINDOW JAMB
NON-MASONRY CLADDING
(OPTION-2)**

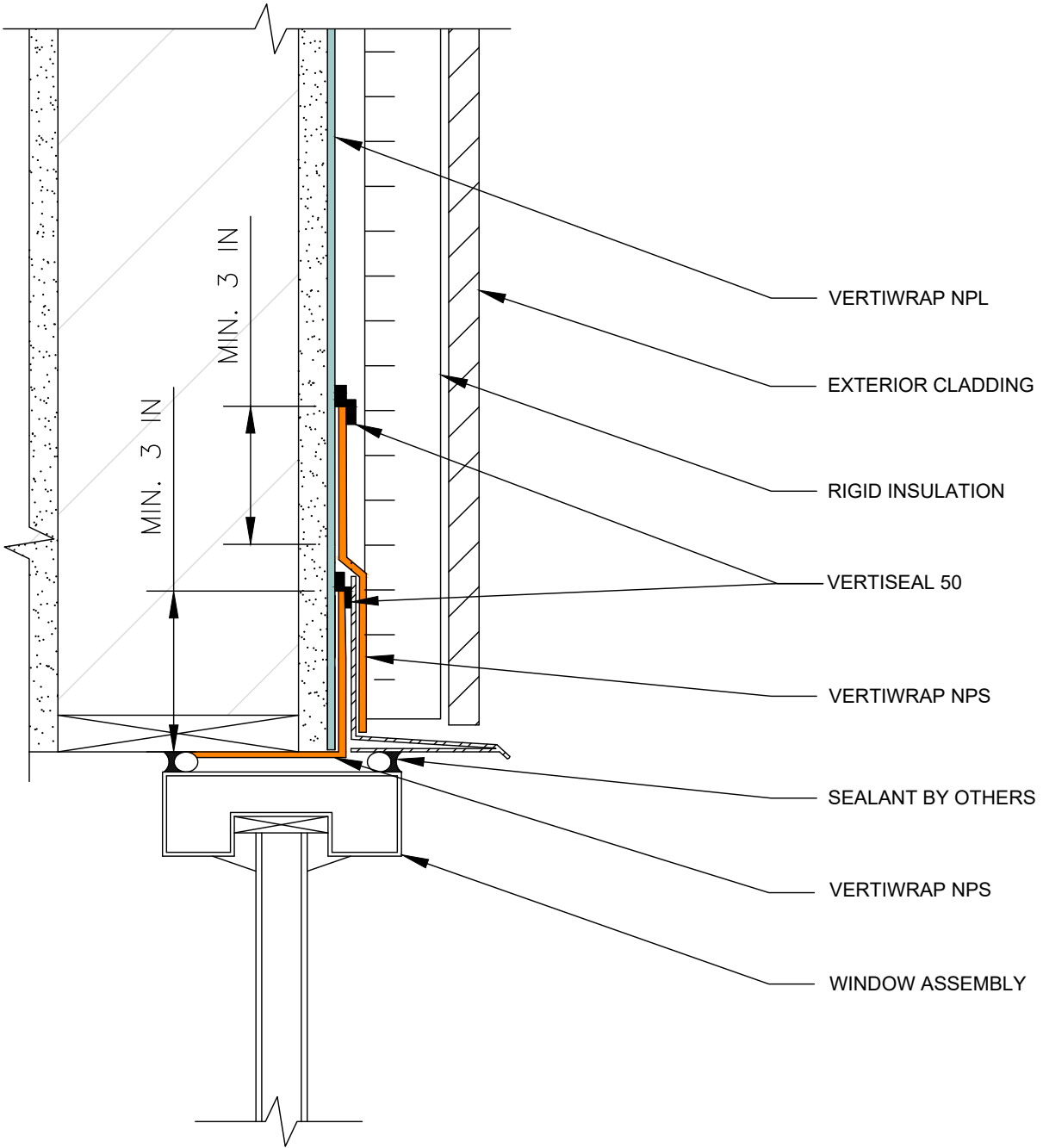
DETAIL IS INTENDED TO BE A GUIDE FOR AIR BARRIER INSTALLATION ONLY.

SUPERCEDES:
00/00/0000

DATE:
04/01/2023

SCALE:
NOT TO SCALE

DRAWING #:
VW-NPL-1J



NOTES:

1. THIS WALL ASSEMBLY MAY NOT BE SUITABLE FOR ALL CLIMATES/REGIONS. CONSULT A BUILDING SCIENCE PROFESSIONAL FOR ASSISTANCE WITH EXTERIOR WALL DESIGNS
2. INSTALL THE VERTIWRAP SYSTEM TO FORM A CONTINUOUS AIR AND WATER BARRIER
3. VERTIWRAP NPS SHOULD EXTEND INTO THE WINDOW OPENING AT A DIMENSION PER THE PROJECT DESIGN
4. VERTIWRAP NPS MAY BE OMITTED AT HEAD AND VERTIWRAP NPL CAN BE EXTENDED INTO THE ROUGH OPENING
5. INSTALL PRODUCTS ACCORDING TO THEIR RESPECTIVE TECHNICAL DATA SHEETS AND APPLICATION INSTRUCTIONS

POLYGLASS



polyglass.us

1111 West Newport Center Drive
Deerfield Beach, FL 33442
Technical Service: (866) 794-9659
technical@polyglass.com

**VERTIWRAP NPL
WINDOW HEAD
NON-MASONRY CLADDING
(OPTION-1)**

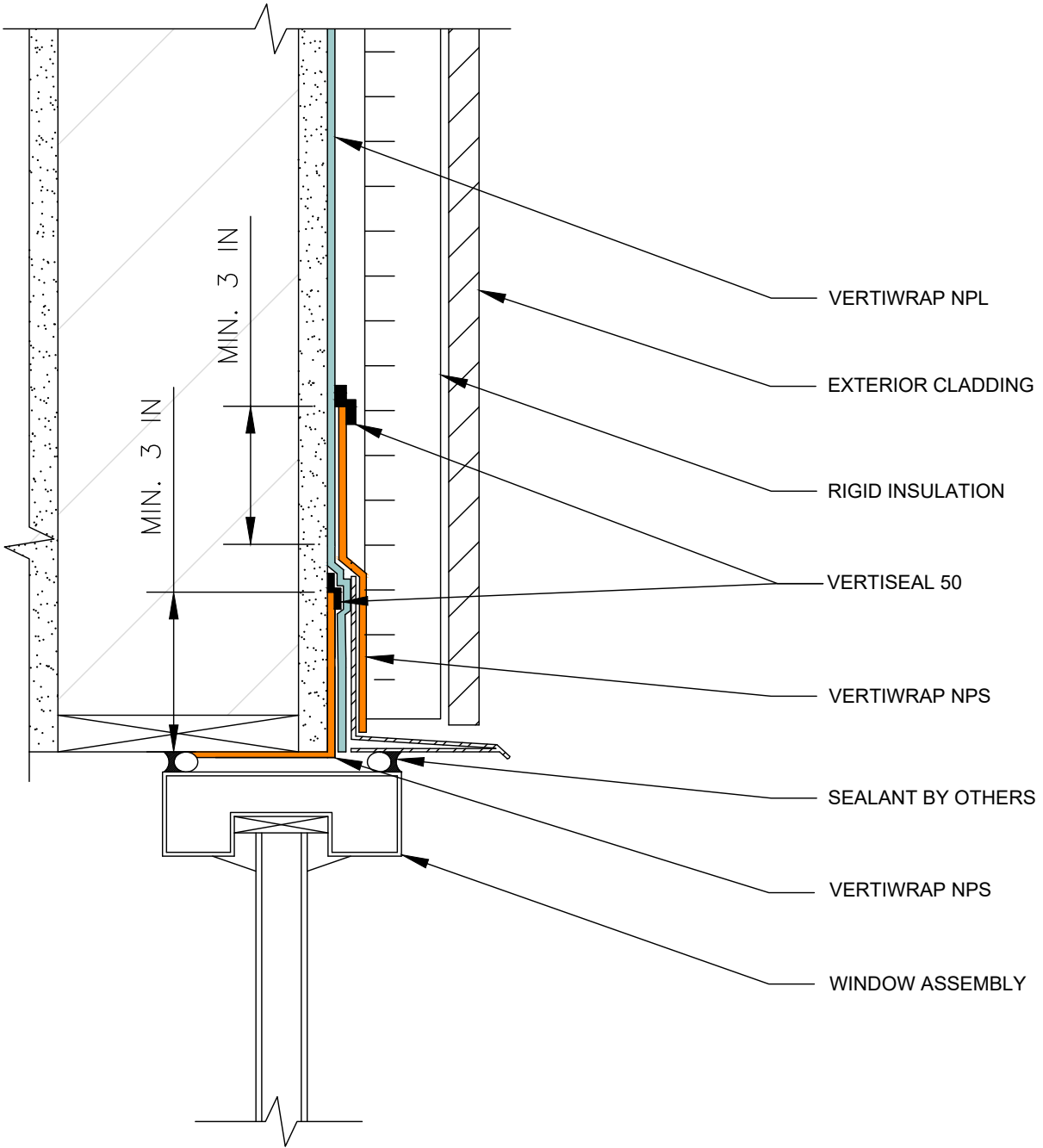
DETAIL IS INTENDED TO BE A GUIDE FOR AIR BARRIER INSTALLATION ONLY.

SUPERCEDES:
00/00/0000

DATE:
04/01/2023

SCALE:
NOT TO SCALE

DRAWING #:
VW-NPL-1K



NOTES:

1. THIS WALL ASSEMBLY MAY NOT BE SUITABLE FOR ALL CLIMATES/REGIONS. CONSULT A BUILDING SCIENCE PROFESSIONAL FOR ASSISTANCE WITH EXTERIOR WALL DESIGNS
2. INSTALL THE VERTIWRAP SYSTEM TO FORM A CONTINUOUS AIR AND WATER BARRIER
3. VERTIWRAP NPS SHOULD EXTEND INTO THE WINDOW OPENING AT A DIMENSION PER THE PROJECT DESIGN
4. VERTIWRAP NPS MAY BE OMITTED AT HEAD AND VERTIWRAP NPL CAN BE EXTENDED INTO THE ROUGH OPENING
5. INSTALL PRODUCTS ACCORDING TO THEIR RESPECTIVE TECHNICAL DATA SHEETS AND APPLICATION INSTRUCTIONS

POLYGLASS



polyglass.us

1111 West Newport Center Drive
Deerfield Beach, FL 33442
Technical Service: (866) 794-9659
technical@polyglass.com

**VERTIWRAP NPL
WINDOW HEAD
NON-MASONRY CLADDING
(OPTION-2)**

DETAIL IS INTENDED TO BE A GUIDE FOR AIR BARRIER INSTALLATION ONLY.

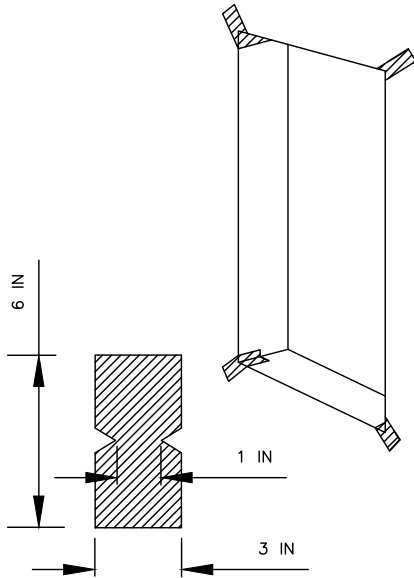
SUPERCEDES:
00/00/0000

DATE:
04/01/2023

SCALE:
NOT TO SCALE

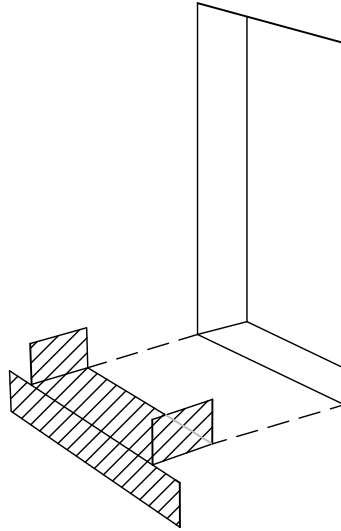
DRAWING #:
VW-NPL-1L

STEP 1 - CORNER FLASHING

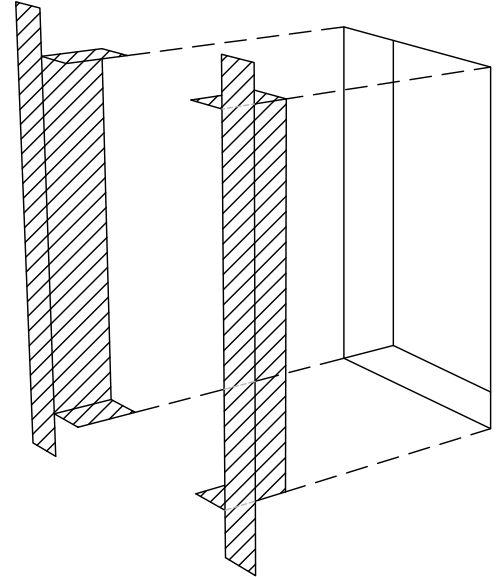


CORNER FLASHING

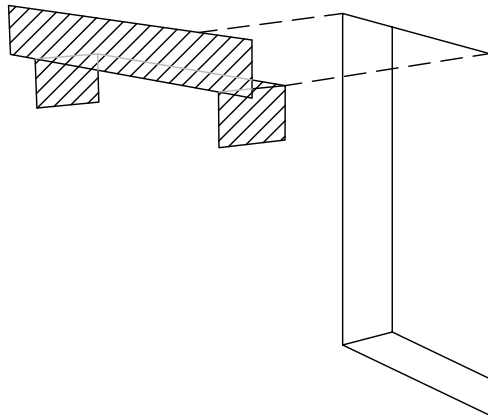
STEP 2 - SILL FLASHING



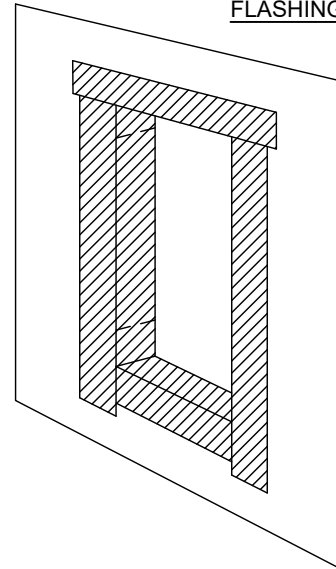
STEP 3 - JAMB FLASHING



STEP 4 - HEAD FLASHING



FLASHING COMPLETED



NOTES:

1. THIS WALL ASSEMBLY MAY NOT BE SUITABLE FOR ALL CLIMATES/REGIONS. CONSULT A BUILDING SCIENCE PROFESSIONAL FOR ASSISTANCE WITH EXTERIOR WALL DESIGNS
2. INSTALL THE VERTIWRAP SYSTEM TO FORM A CONTINUOUS AIR AND WATER BARRIER
3. VERTIWRAP SHOULD EXTEND INTO THE WINDOW OPENING AT A DIMENSION PER THE PROJECT DESIGN
4. ALL VERTIWRAP FLASHING SHOULD EXTEND A MIN. OF 3 IN. ONTO THE SHEATHING AND OR PREVIOUSLY INSTALLED VERTIWRAP MEMBRANE. VERTICAL LEGS OF FLASHING SHOULD EXTEND A MIN. OF 3 IN. AT ANY PLANE CHANGES
5. INSTALL PRODUCTS ACCORDING TO THEIR RESPECTIVE TECHNICAL DATA SHEETS AND APPLICATION INSTRUCTIONS

POLYGLASS



polyglass.us

1111 West Newport Center Drive
Deerfield Beach, FL 33442
Technical Service: (866) 794-9659
technical@polyglass.com

VERTIWRAP NPL

**SELF-ADHERED
WINDOW FLASHING**

DETAIL IS INTENDED TO BE A GUIDE FOR AIR BARRIER INSTALLATION ONLY.

SUPERCEDES:

00/00/0000

DATE:

04/01/2023

SCALE:

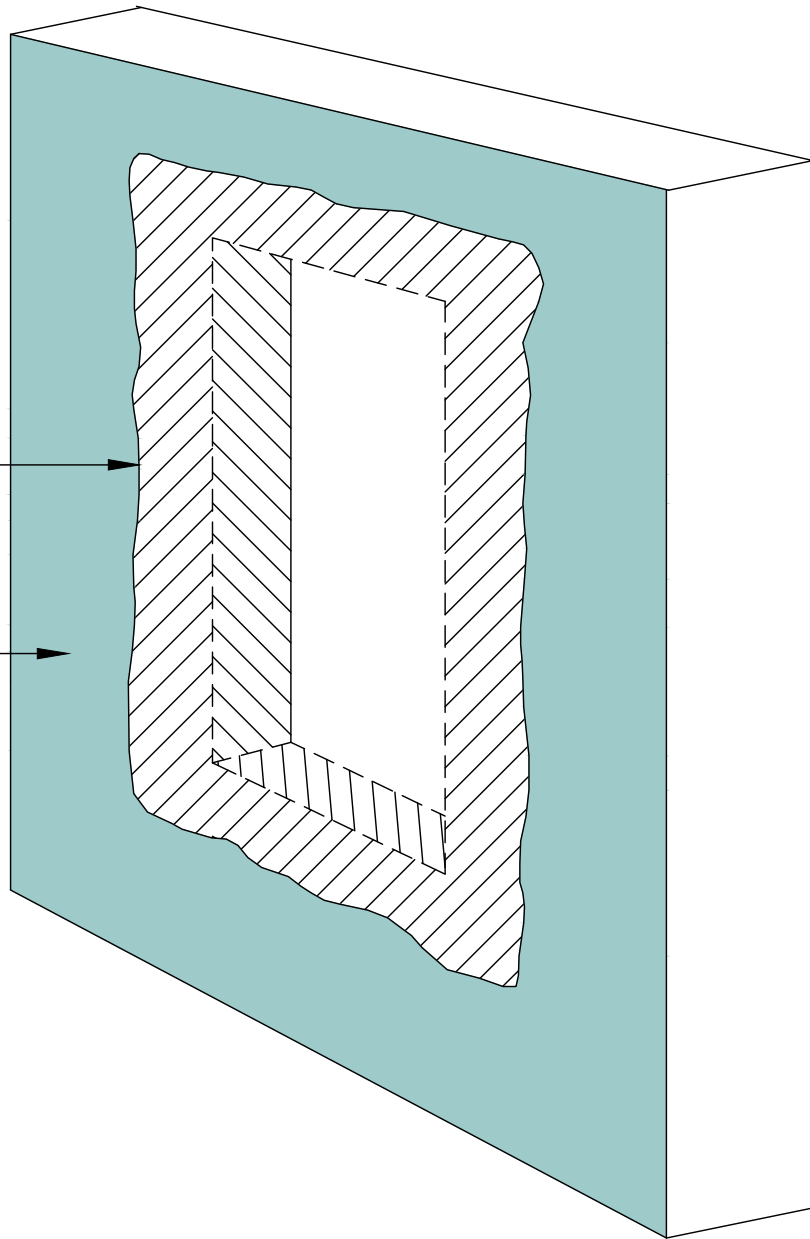
NOT TO SCALE

DRAWING #:

VW-NPL-1M

VERTISEAL 50
(MINIMUM 25-MILS)

VERTIWRAP NPL



NOTES:

1. THIS WALL ASSEMBLY MAY NOT BE SUITABLE FOR ALL CLIMATES/REGIONS. CONSULT A BUILDING SCIENCE PROFESSIONAL FOR ASSISTANCE WITH EXTERIOR WALL DESIGNS
2. INSTALL THE VERTIWRAP SYSTEM TO FORM A CONTINUOUS AIR AND WATER BARRIER
3. VERTISEAL 50 SHOULD EXTEND INTO THE WINDOW OPENING AT A DIMENSION PER THE PROJECT DESIGN
4. VERTISEAL 50 SHOULD EXTEND A MIN. OF 3 IN. ONTO THE VERTIWRAP NPL
5. INSTALL PRODUCTS ACCORDING TO THEIR RESPECTIVE TECHNICAL DATA SHEETS AND APPLICATION INSTRUCTIONS

POLYGLASS



polyglass.us

1111 West Newport Center Drive
Deerfield Beach, FL 33442
Technical Service: (866) 794-9659
technical@polyglass.com

VERTIWRAP NPL

VERTISEAL 50 FLASHING ROUGH OPENING

DETAIL IS INTENDED TO BE A GUIDE FOR AIR BARRIER INSTALLATION ONLY.

SUPERCEDES:

00/00/0000

DATE:

04/01/2023

SCALE:

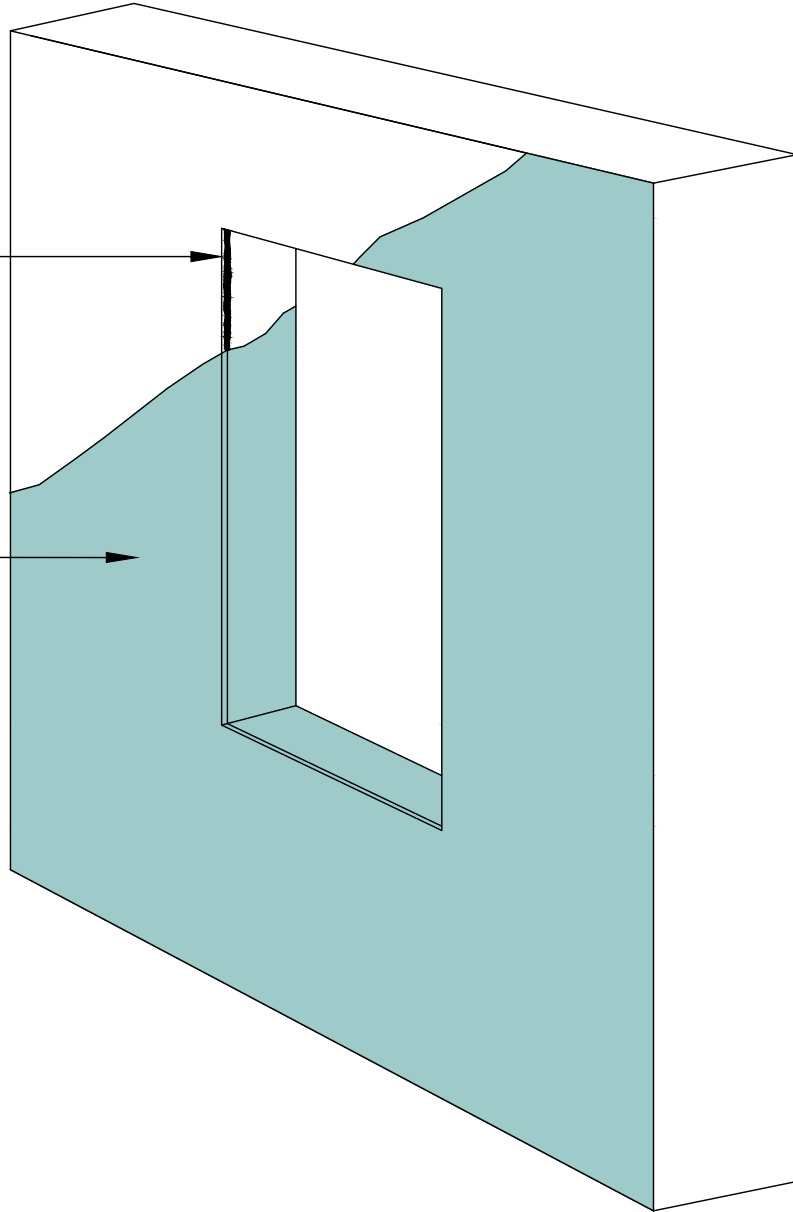
NOT TO SCALE

DRAWING #:

VW-NPL-1N

VERTISEAL 50
(SEAL TRANSITION FROM
FRAMING TO SHEATHING
PRIOR TO VERTIWRAP NPL)

VERTIWRAP NPL



NOTES:

1. THIS WALL ASSEMBLY MAY NOT BE SUITABLE FOR ALL CLIMATES/REGIONS. CONSULT A BUILDING SCIENCE PROFESSIONAL FOR ASSISTANCE WITH EXTERIOR WALL DESIGNS
2. INSTALL THE VERTIWRAP SYSTEM TO FORM A CONTINUOUS AIR AND WATER BARRIER
3. ALL TRANSITION BETWEEN FRAMING AND SHEATHING MUST BE SEALED WITH VERTISEAL 50 PRIOR TO THE INSTALLATION OF VERTIWRAP NPL
4. VERTIWRAP NPL SHOULD EXTEND INTO THE WINDOW OPENING AT A DIMENSION PER THE PROJECT DESIGN
5. INSTALL PRODUCTS ACCORDING TO THEIR RESPECTIVE TECHNICAL DATA SHEETS AND APPLICATION INSTRUCTIONS

POLYGLASS



polyglass.us

1111 West Newport Center Drive
Deerfield Beach, FL 33442
Technical Service: (866) 794-9659
technical@polyglass.com

VERTIWRAP NPL

**VERTIWRAP NPL FLASHING
ROUGH OPENING**

DETAIL IS INTENDED TO BE A GUIDE FOR AIR BARRIER INSTALLATION ONLY.

SUPERCEDES:

00/00/0000

DATE:

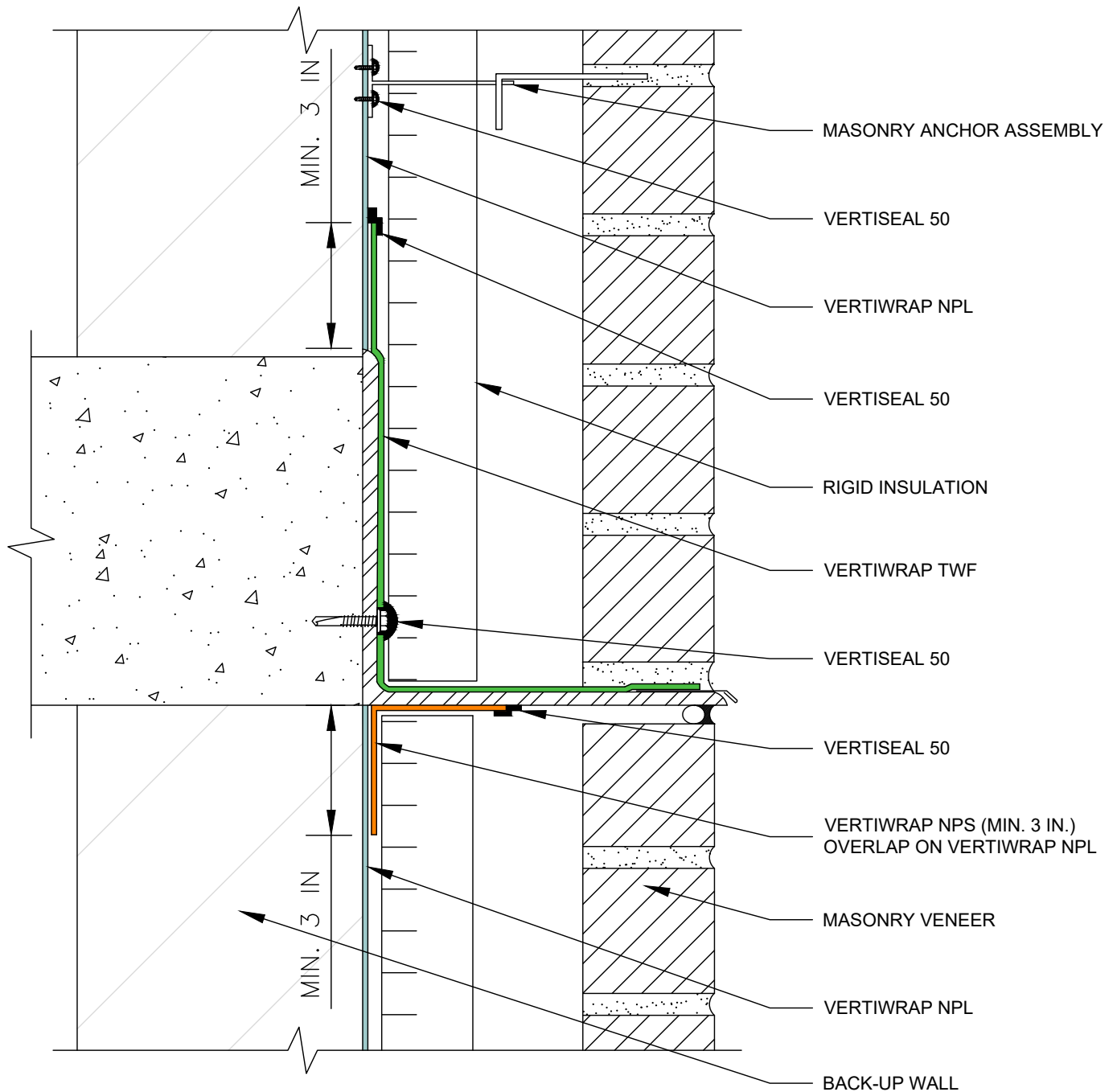
04/01/2023

SCALE:

NOT TO SCALE

DRAWING #:

VW-NPL-10



NOTES:

1. THIS WALL ASSEMBLY MAY NOT BE SUITABLE FOR ALL CLIMATES/REGIONS. CONSULT A BUILDING SCIENCE PROFESSIONAL FOR ASSISTANCE WITH EXTERIOR WALL DESIGNS
2. INSTALL THE VERTIWRAP SYSTEM TO FORM A CONTINUOUS AIR AND WATER BARRIER
3. INSTALL PRODUCTS ACCORDING TO THEIR RESPECTIVE TECHNICAL DATA SHEETS AND APPLICATION INSTRUCTIONS

POLYGLASS



polyglass.us

1111 West Newport Center Drive
 Deerfield Beach, FL 33442
 Technical Service: (866) 794-9659
 technical@polyglass.com

**VERTIWRAP NPL
 FLOOR LINE TRANSITION
 MASONRY CLADDING
 (OPTION-1)**

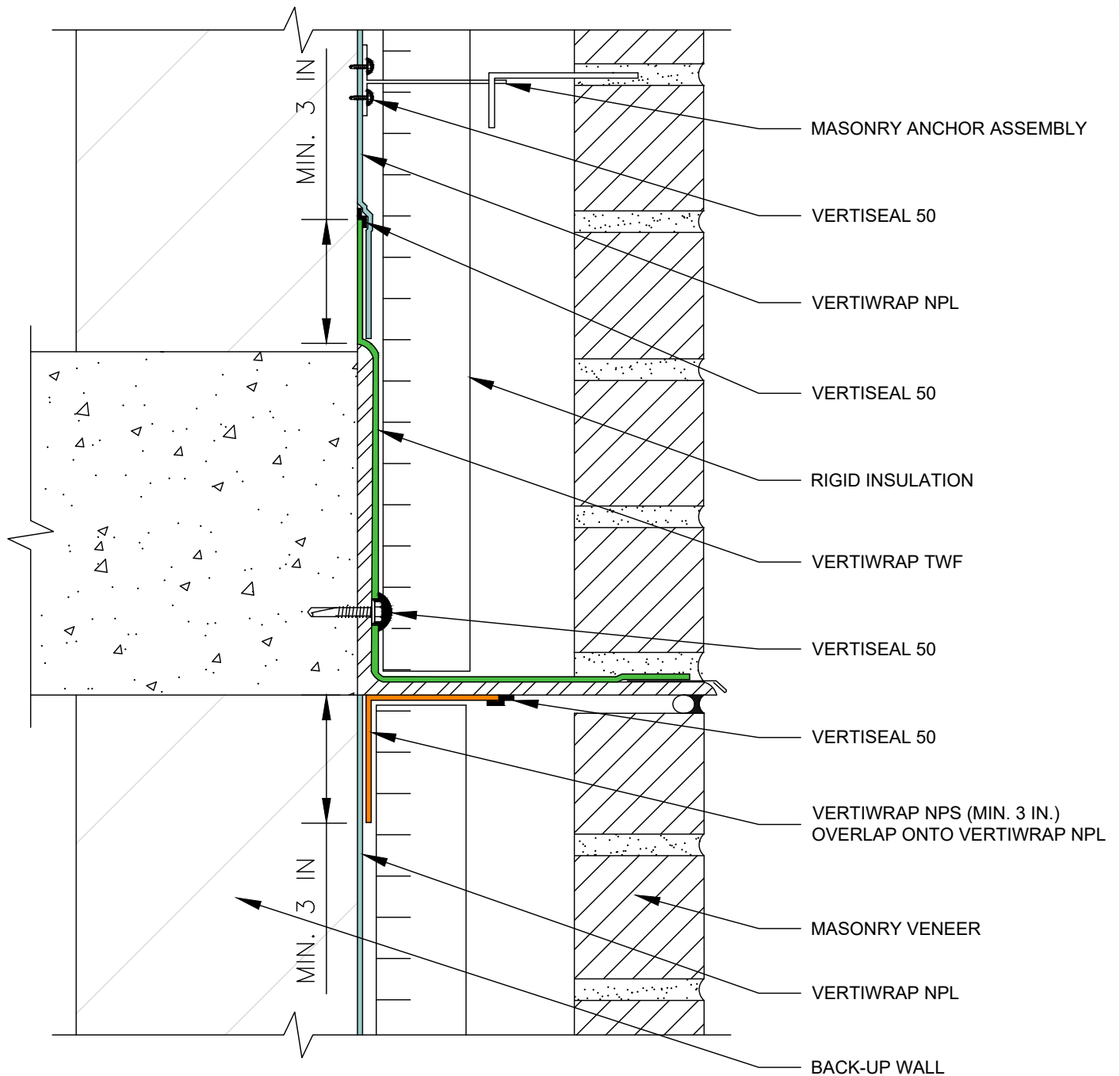
DETAIL IS INTENDED TO BE A GUIDE FOR AIR BARRIER INSTALLATION ONLY.

SUPERCEDES:
00/00/0000

DATE:
04/01/2023

SCALE:
NOT TO SCALE

DRAWING #:
VW-NPL-2A



NOTES:

1. THIS WALL ASSEMBLY MAY NOT BE SUITABLE FOR ALL CLIMATES/REGIONS. CONSULT A BUILDING SCIENCE PROFESSIONAL FOR ASSISTANCE WITH EXTERIOR WALL DESIGNS
2. INSTALL THE VERTIWRAP SYSTEM TO FORM A CONTINUOUS AIR AND WATER BARRIER
3. INSTALL PRODUCTS ACCORDING TO THEIR RESPECTIVE TECHNICAL DATA SHEETS AND APPLICATION INSTRUCTIONS

POLYGLASS



polyglass.us

1111 West Newport Center Drive
 Deerfield Beach, FL 33442
 Technical Service: (866) 794-9659
 technical@polyglass.com

**VERTIWRAP NPL
 FLOOR LINE TRANSITION
 MASONRY CLADDING
 (OPTION-2)**

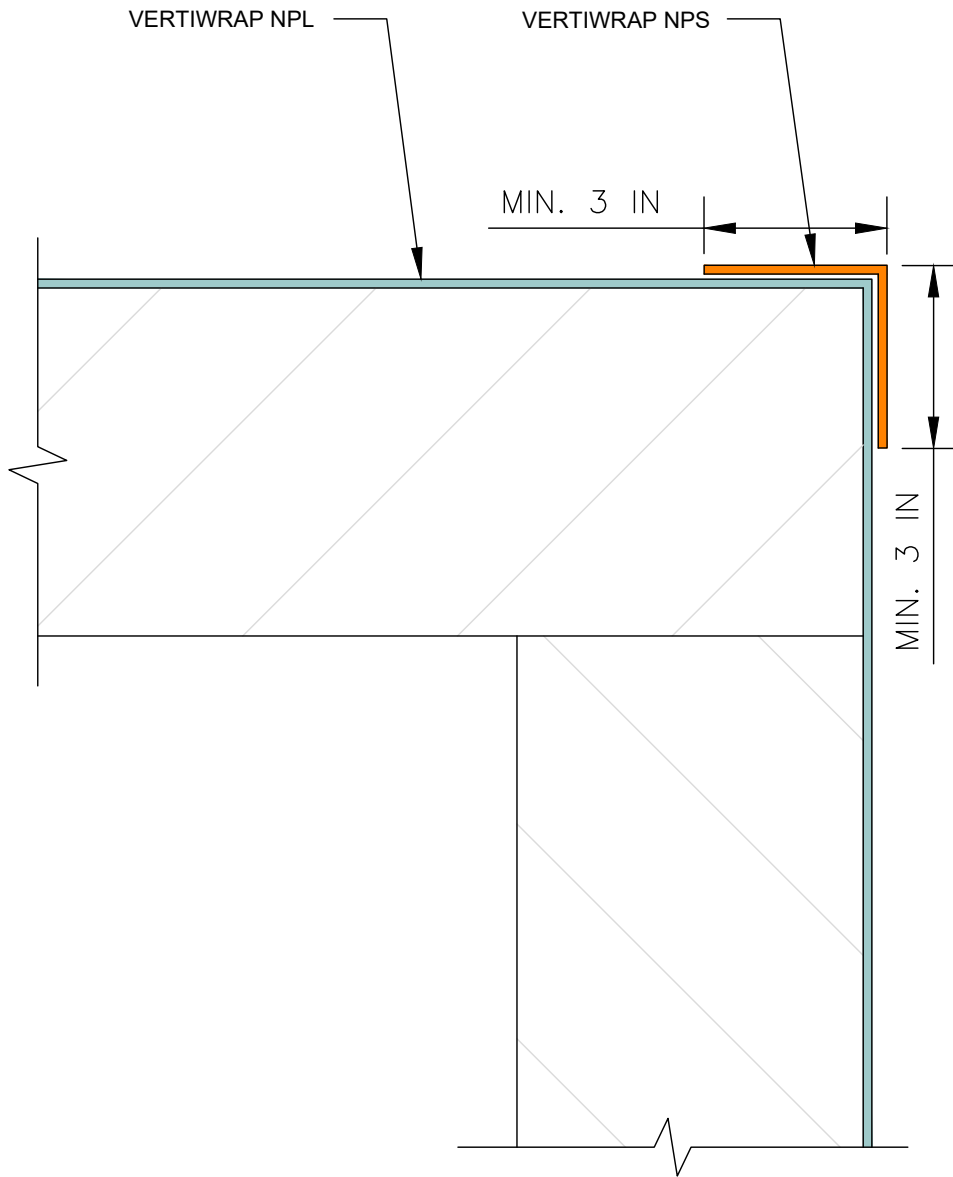
DETAIL IS INTENDED TO BE A GUIDE FOR AIR BARRIER INSTALLATION ONLY.

SUPERCEDES:
00/00/0000

DATE:
04/01/2023

SCALE:
NOT TO SCALE

DRAWING #:
VW-NPL-2B



NOTES:

1. THIS WALL ASSEMBLY MAY NOT BE SUITABLE FOR ALL CLIMATES/REGIONS. CONSULT A BUILDING SCIENCE PROFESSIONAL FOR ASSISTANCE WITH EXTERIOR WALL DESIGNS
2. INSTALL THE VERTIWRAP SYSTEM TO FORM A CONTINUOUS AIR AND WATER BARRIER
3. INSTALL PRODUCTS ACCORDING TO THEIR RESPECTIVE TECHNICAL DATA SHEETS AND APPLICATION INSTRUCTIONS

POLYGLASS



polyglass.us

1111 West Newport Center Drive
 Deerfield Beach, FL 33442
 Technical Service: (866) 794-9659
technical@polyglass.com

VERTIWRAP NPL

**OUTSIDE CORNER
 (OPTION-1)**

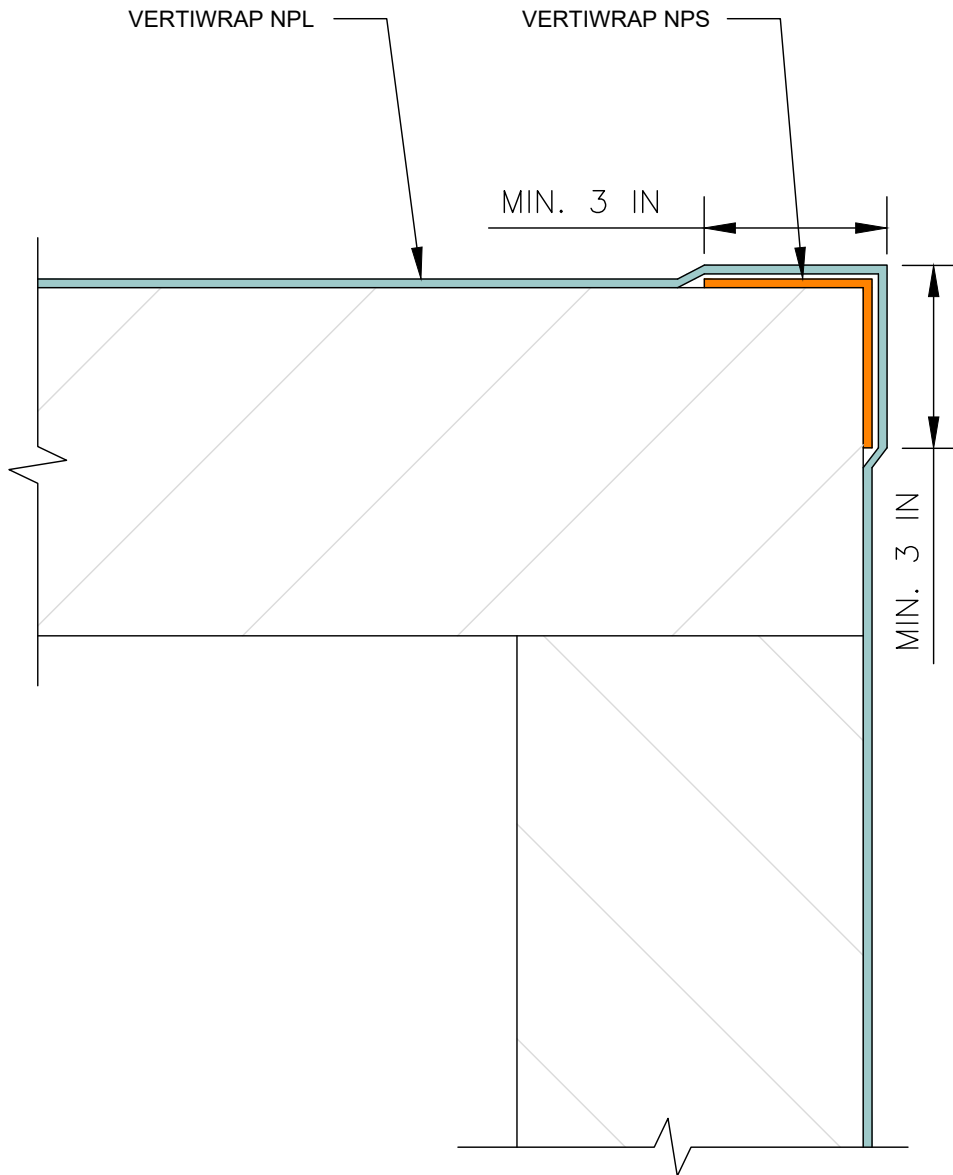
DETAIL IS INTENDED TO BE A GUIDE FOR AIR BARRIER INSTALLATION ONLY.

SUPERCEDES:
00/00/0000

DATE:
04/01/2023

SCALE:
NOT TO SCALE

DRAWING #:
VW-NPL-3A



NOTES:

1. THIS WALL ASSEMBLY MAY NOT BE SUITABLE FOR ALL CLIMATES/REGIONS. CONSULT A BUILDING SCIENCE PROFESSIONAL FOR ASSISTANCE WITH EXTERIOR WALL DESIGNS
2. INSTALL THE VERTIWRAP SYSTEM TO FORM A CONTINUOUS AIR AND WATER BARRIER
3. INSTALL PRODUCTS ACCORDING TO THEIR RESPECTIVE TECHNICAL DATA SHEETS AND APPLICATION INSTRUCTIONS

POLYGLASS



polyglass.us

1111 West Newport Center Drive
 Deerfield Beach, FL 33442
 Technical Service: (866) 794-9659
technical@polyglass.com

VERTIWRAP NPL

**OUTSIDE CORNER
 (OPTION-2)**

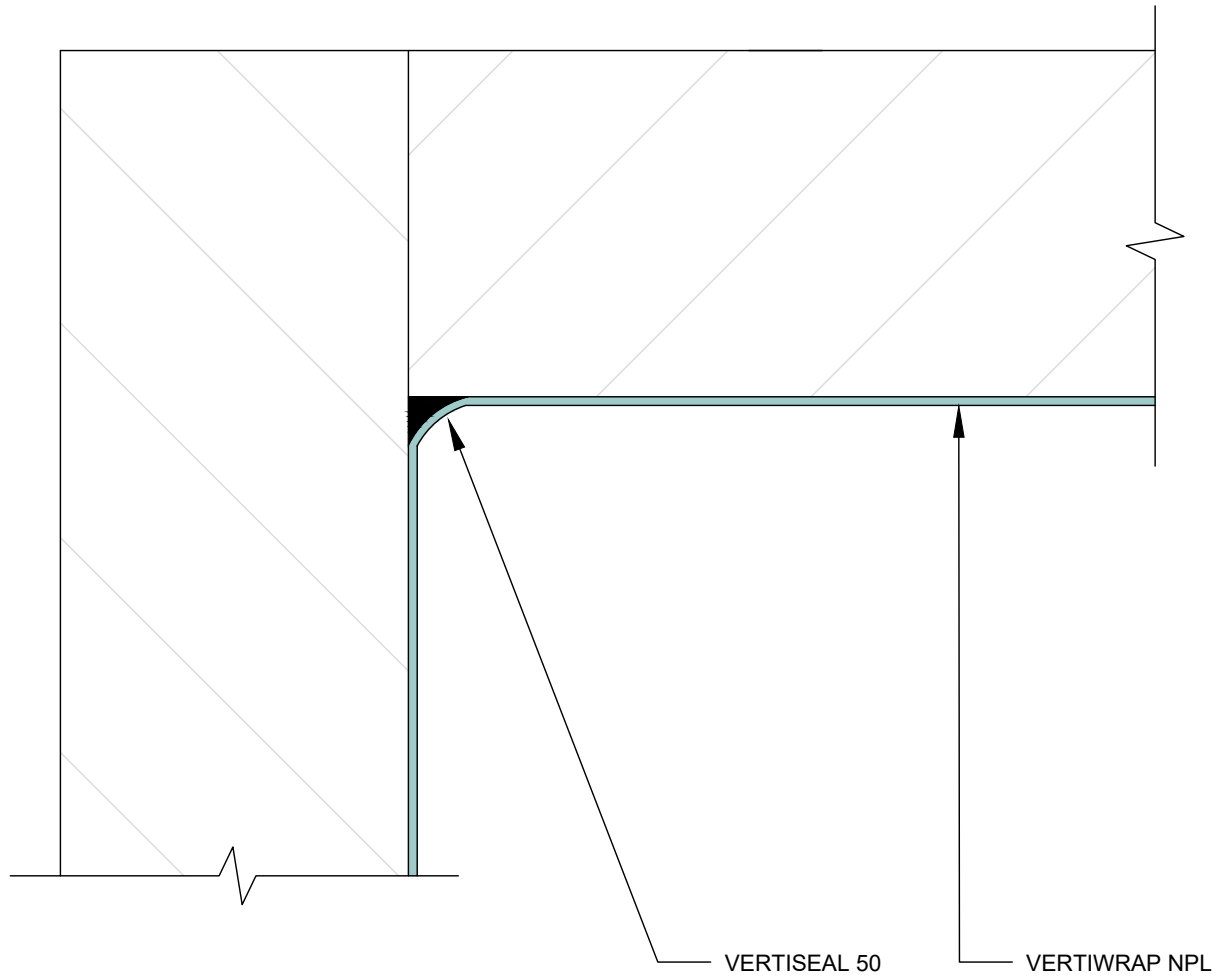
DETAIL IS INTENDED TO BE A GUIDE FOR AIR BARRIER INSTALLATION ONLY.

SUPERCEDES:
00/00/0000

DATE:
04/01/2023

SCALE:
NOT TO SCALE

DRAWING #:
VW-NPL-3B



NOTES:

1. THIS WALL ASSEMBLY MAY NOT BE SUITABLE FOR ALL CLIMATES/REGIONS. CONSULT A BUILDING SCIENCE PROFESSIONAL FOR ASSISTANCE WITH EXTERIOR WALL DESIGNS
2. INSTALL THE VERTIWRAP SYSTEM TO FORM A CONTINUOUS AIR AND WATER BARRIER
3. INSTALL PRODUCTS ACCORDING TO THEIR RESPECTIVE TECHNICAL DATA SHEETS AND APPLICATION INSTRUCTIONS



polyglass.us

1111 West Newport Center Drive
 Deerfield Beach, FL 33442
 Technical Service: (866) 794-9659
 technical@polyglass.com

VERTIWRAP NPL

INSIDE CORNER

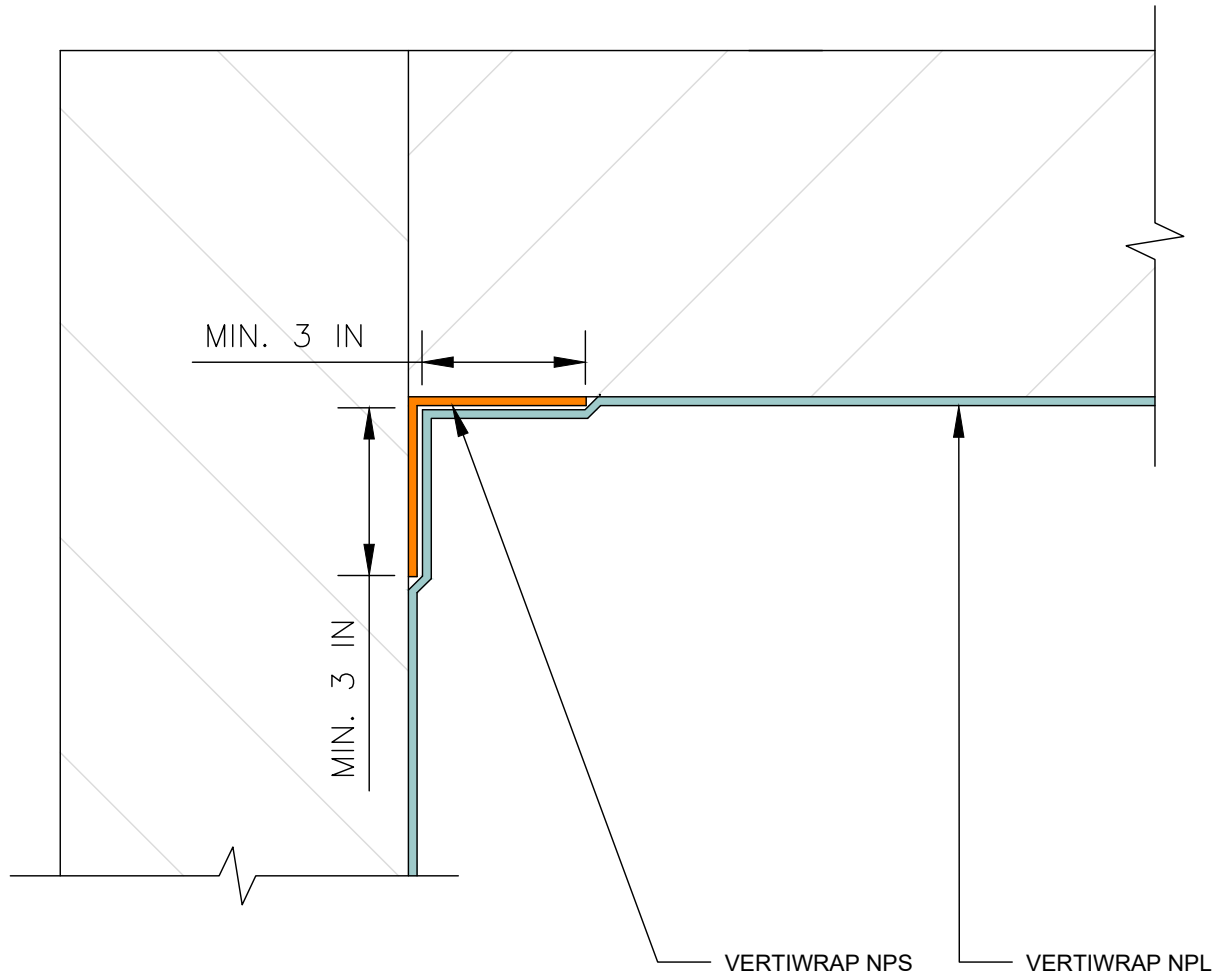
DETAIL IS INTENDED TO BE A GUIDE FOR AIR BARRIER INSTALLATION ONLY.

SUPERCEDES:
00/00/0000

DATE:
04/01/2023

SCALE:
NOT TO SCALE

DRAWING #:
VW-NPL-3C



NOTES:

1. THIS WALL ASSEMBLY MAY NOT BE SUITABLE FOR ALL CLIMATES/REGIONS. CONSULT A BUILDING SCIENCE PROFESSIONAL FOR ASSISTANCE WITH EXTERIOR WALL DESIGNS
2. INSTALL THE VERTIWRAP SYSTEM TO FORM A CONTINUOUS AIR AND WATER BARRIER
3. INSTALL PRODUCTS ACCORDING TO THEIR RESPECTIVE TECHNICAL DATA SHEETS AND APPLICATION INSTRUCTIONS

POLYGLASS



polyglass.us

1111 West Newport Center Drive
 Deerfield Beach, FL 33442
 Technical Service: (866) 794-9659
technical@polyglass.com

VERTIWRAP NPL

**INSIDE CORNER
 (OPTION-2)**

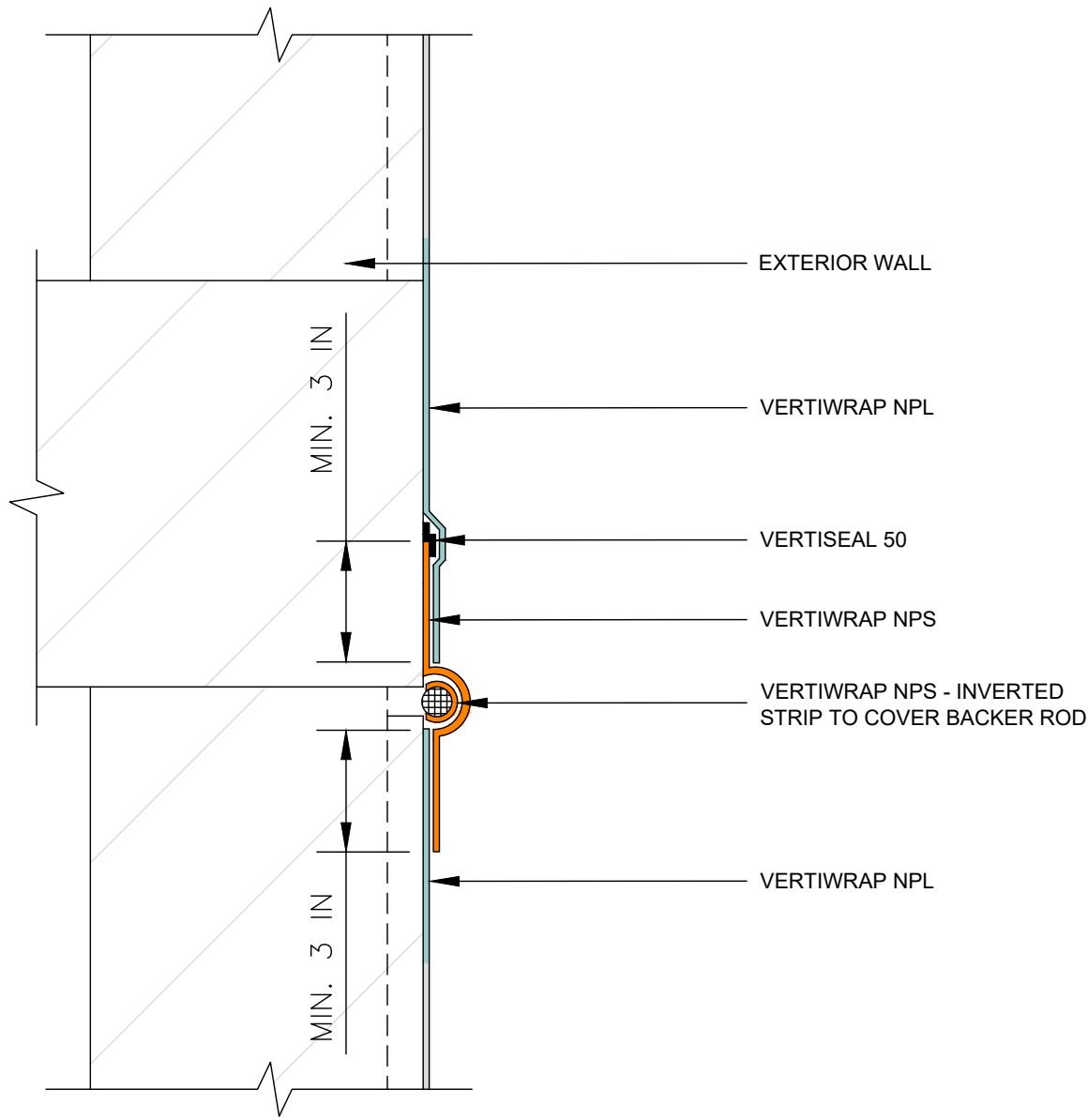
DETAIL IS INTENDED TO BE A GUIDE FOR AIR BARRIER INSTALLATION ONLY.

SUPERCEDES:
00/00/0000

DATE:
04/01/2023

SCALE:
NOT TO SCALE

DRAWING #:
VW-NPL-3D



NOTES:

1. THIS WALL ASSEMBLY MAY NOT BE SUITABLE FOR ALL CLIMATES/REGIONS. CONSULT A BUILDING SCIENCE PROFESSIONAL FOR ASSISTANCE WITH EXTERIOR WALL DESIGNS
2. INSTALL THE VERTIWRAP SYSTEM TO FORM A CONTINUOUS AIR AND WATER BARRIER
3. INSTALL PRODUCTS ACCORDING TO THEIR RESPECTIVE TECHNICAL DATA SHEETS AND APPLICATION INSTRUCTIONS

POLYGLASS



polyglass.us

1111 West Newport Center Drive
 Deerfield Beach, FL 33442
 Technical Service: (866) 794-9659
 technical@polyglass.com

VERTIWRAP NPL

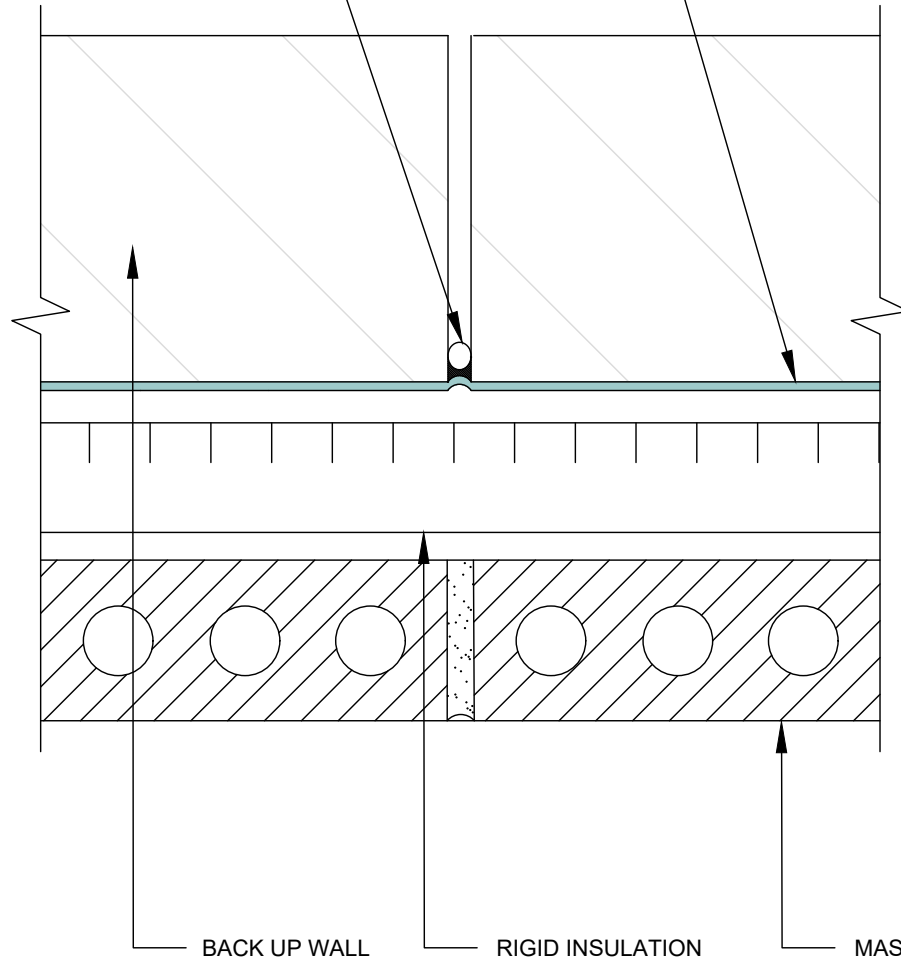
DEFLECTION JOINT

DETAIL IS INTENDED TO BE A GUIDE FOR AIR BARRIER INSTALLATION ONLY.

SUPERCEDES:	00/00/0000
DATE:	04/01/2023
SCALE:	NOT TO SCALE
DRAWING #:	VW-NPL-4A

BACKER ROD AND COMPATIBLE SELANT

VERTIWRAP NPL



BACK UP WALL

RIGID INSULATION

MASONRY VENEER

NOTES:

1. THIS WALL ASSEMBLY MAY NOT BE SUITABLE FOR ALL CLIMATES/REGIONS. CONSULT A BUILDING SCIENCE PROFESSIONAL FOR ASSISTANCE WITH EXTERIOR WALL DESIGNS
2. MAXIMUM JOINT WIDTH 1/2", WITH MAXIMUM 10% +/- MOVEMENT
3. INSTALL THE VERTIWRAP SYSTEM TO FORM A CONTINUOUS AIR AND WATER BARRIER
4. INSTALL PRODUCTS ACCORDING TO THEIR RESPECTIVE TECHNICAL DATA SHEETS AND APPLICATION INSTRUCTIONS

POLYGLASS



polyglass.us

1111 West Newport Center Drive
 Deerfield Beach, FL 33442
 Technical Service: (866) 794-9659
technical@polyglass.com

VERTIWRAP NPL

CONTROL JOINT

DETAIL IS INTENDED TO BE A GUIDE FOR AIR BARRIER INSTALLATION ONLY.

SUPERCEDES:

00/00/0000

DATE:

04/01/2023

SCALE:

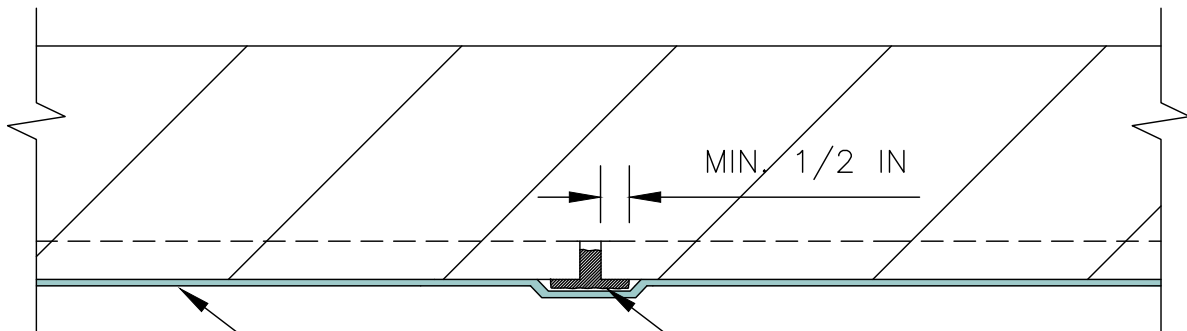
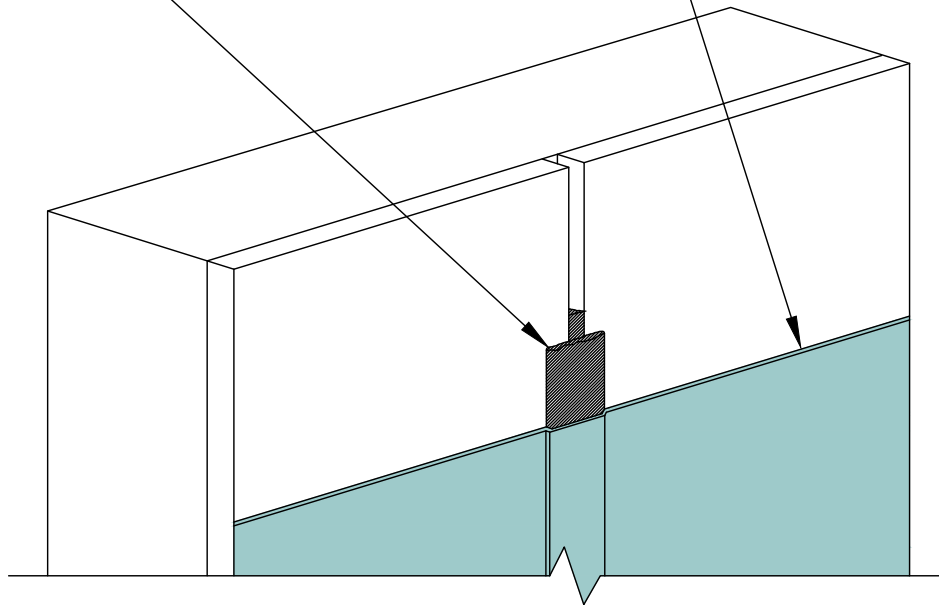
NOT TO SCALE

DRAWING #:

VW-NPL-4B

VERTISEAL 50 (FILL JOINT AND
EXTEND A MIN. OF 1/2 IN. ON EACH
SIDE OF JOINT)

VERTIWRAP NPL



VERTIWRAP NPL

VERTISEAL 50 (FILL JOINT AND
EXTEND A MIN. OF 1/2 IN. ON EACH
SIDE OF JOINT)

NOTES:

1. THIS WALL ASSEMBLY MAY NOT BE SUITABLE FOR ALL CLIMATES/REGIONS. CONSULT A BUILDING SCIENCE PROFESSIONAL FOR ASSISTANCE WITH EXTERIOR WALL DESIGNS
2. INSTALL THE VERTIWRAP SYSTEM TO FORM A CONTINUOUS AIR AND WATER BARRIER
3. INSTALL PRODUCTS ACCORDING TO THEIR RESPECTIVE TECHNICAL DATA SHEETS AND APPLICATION INSTRUCTIONS

POLYGLASS



polyglass.us

1111 West Newport Center Drive
Deerfield Beach, FL 33442
Technical Service: (866) 794-9659
technical@polyglass.com

VERTIWRAP NPL

SHEATHING JOINT TREATMENT

DETAIL IS INTENDED TO BE A GUIDE FOR AIR BARRIER INSTALLATION ONLY.

SUPERCEDES:

00/00/0000

DATE:

04/01/2023

SCALE:

NOT TO SCALE

DRAWING #:

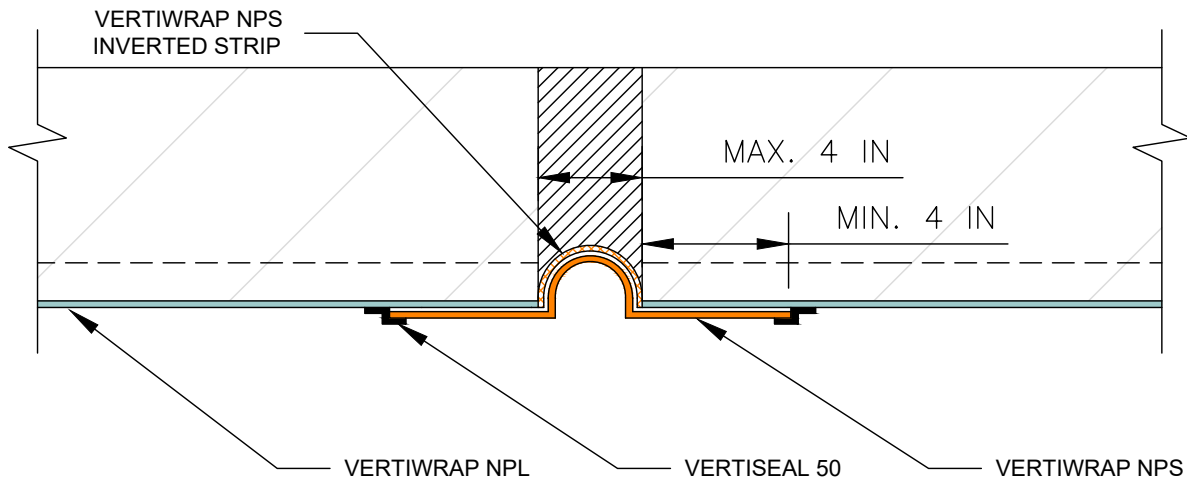
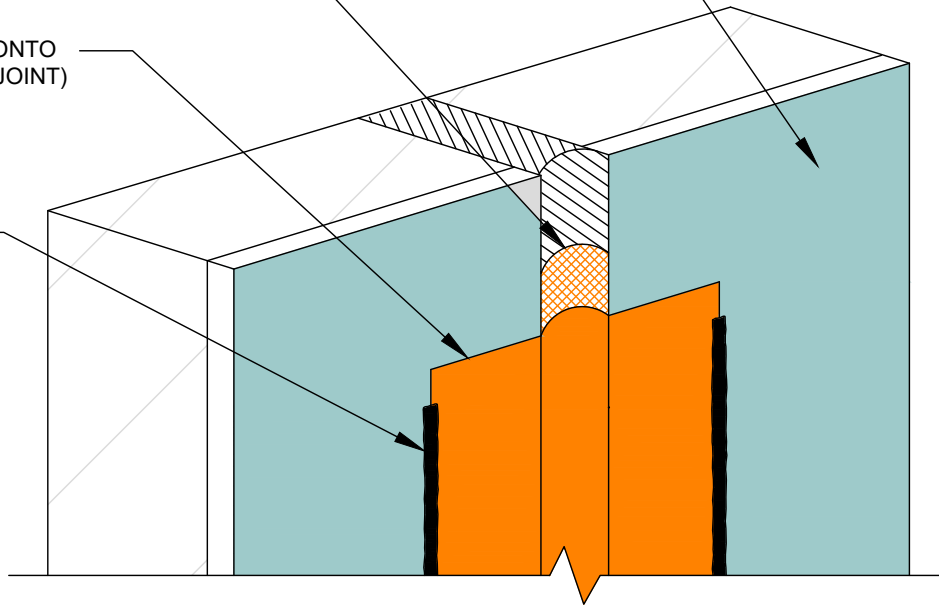
VW-NPL-4C

VERTIWRAP NPS INVERTED STRIP
(TWICE THE WIDTH OF THE JOINT)

VERTIWRAP NPL

VERTIWRAP NPS
(EXTEND MIN. 4 IN. ONTO
EACH SIDE OF THE JOINT)

VERTISEAL 50



NOTES:

1. THIS WALL ASSEMBLY MAY NOT BE SUITABLE FOR ALL CLIMATES/REGIONS. CONSULT A BUILDING SCIENCE PROFESSIONAL FOR ASSISTANCE WITH EXTERIOR WALL DESIGNS
2. INSTALL THE VERTIWRAP SYSTEM TO FORM A CONTINUOUS AIR AND WATER BARRIER
3. VERTIWRAP NPS INVERTED STRIP TO BE TWICE THE WIDTH OF THE JOINT
4. MAXIMUM JOINT WIDTH 4 IN., CAPABLE OF 50% +/- MOVEMENT IN COMPRESSION AND ELONGATION. FOR JOINTS LARGER THAN 4 IN. OR POTENTIAL FOR DIFFERENTIAL MOVEMENT CONSULT POLYGLASS
5. INSTALL PRODUCTS ACCORDING TO THEIR RESPECTIVE TECHNICAL DATA SHEETS AND APPLICATION INSTRUCTIONS

POLYGLASS



polyglass.us

1111 West Newport Center Drive
Deerfield Beach, FL 33442
Technical Service: (866) 794-9659
technical@polyglass.com

VERTIWRAP NPL

EXPANSION JOINT

DETAIL IS INTENDED TO BE A GUIDE FOR AIR BARRIER INSTALLATION ONLY.

SUPERCEDES:

00/00/0000

DATE:

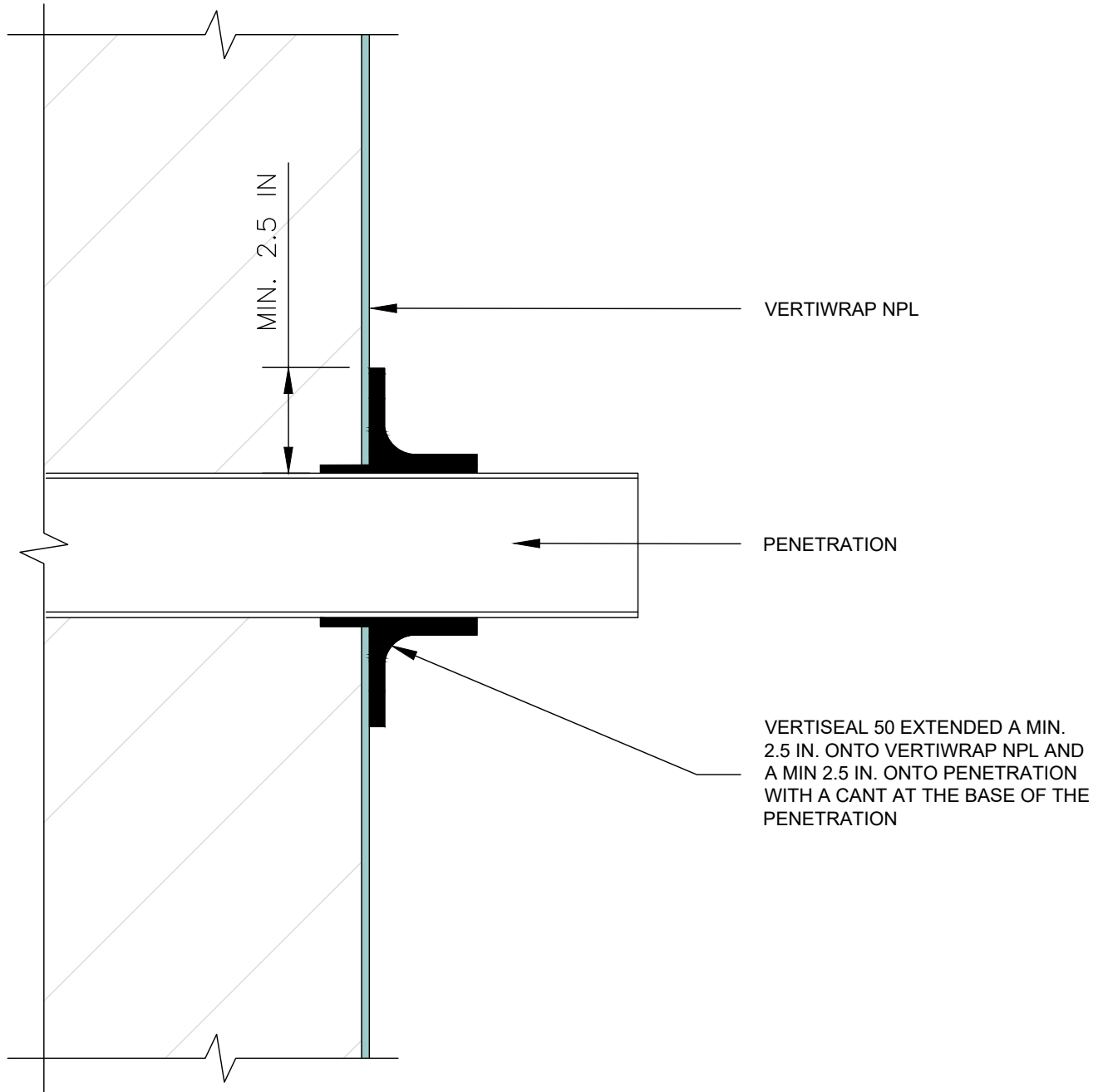
04/01/2023

SCALE:

NOT TO SCALE

DRAWING #:

VW-NPL-4D



NOTES:

1. THIS WALL ASSEMBLY MAY NOT BE SUITABLE FOR ALL CLIMATES/REGIONS. CONSULT A BUILDING SCIENCE PROFESSIONAL FOR ASSISTANCE WITH EXTERIOR WALL DESIGNS
2. INSTALL THE VERTIWRAP SYSTEM TO FORM A CONTINUOUS AIR AND WATER BARRIER
3. INSTALL PRODUCTS ACCORDING TO THEIR RESPECTIVE TECHNICAL DATA SHEETS AND APPLICATION INSTRUCTIONS

POLYGLASS



polyglass.us

1111 West Newport Center Drive
 Deerfield Beach, FL 33442
 Technical Service: (866) 794-9659
 technical@polyglass.com

VERTIWRAP NPL

PENETRATION

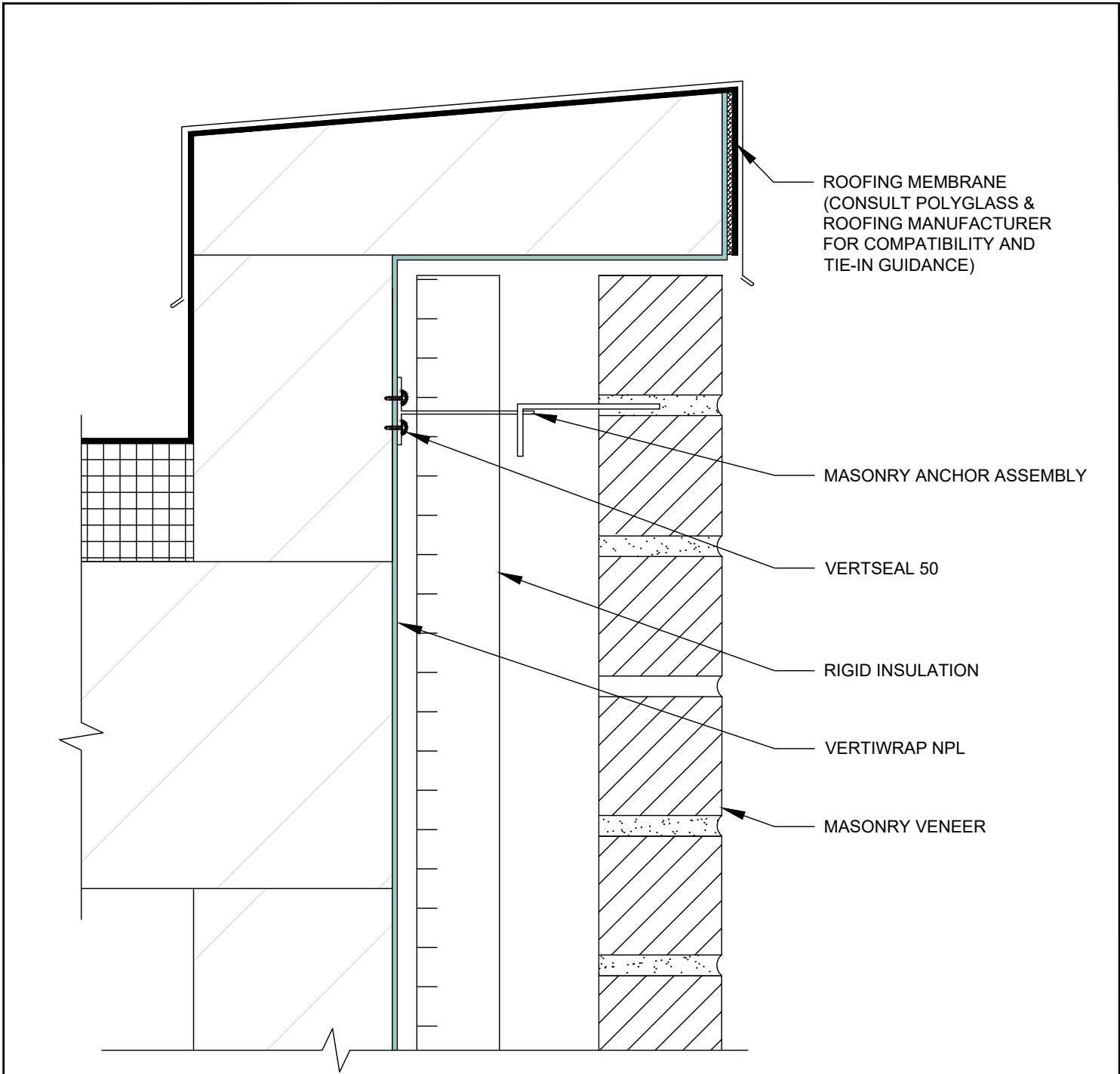
DETAIL IS INTENDED TO BE A GUIDE FOR AIR BARRIER INSTALLATION ONLY.

SUPERCEDES:
00/00/0000

DATE:
04/01/2023

SCALE:
NOT TO SCALE

DRAWING #:
VW-NPL-5A



NOTES:

1. THIS WALL ASSEMBLY MAY NOT BE SUITABLE FOR ALL CLIMATES/REGIONS. CONSULT A BUILDING SCIENCE PROFESSIONAL FOR ASSISTANCE WITH EXTERIOR WALL DESIGNS
2. INSTALL THE VERTIWRAP SYSTEM TO FORM A CONTINUOUS AIR AND WATER BARRIER
3. INSTALL PRODUCTS ACCORDING TO THEIR RESPECTIVE TECHNICAL DATA SHEETS AND APPLICATION INSTRUCTIONS

POLYGLASS

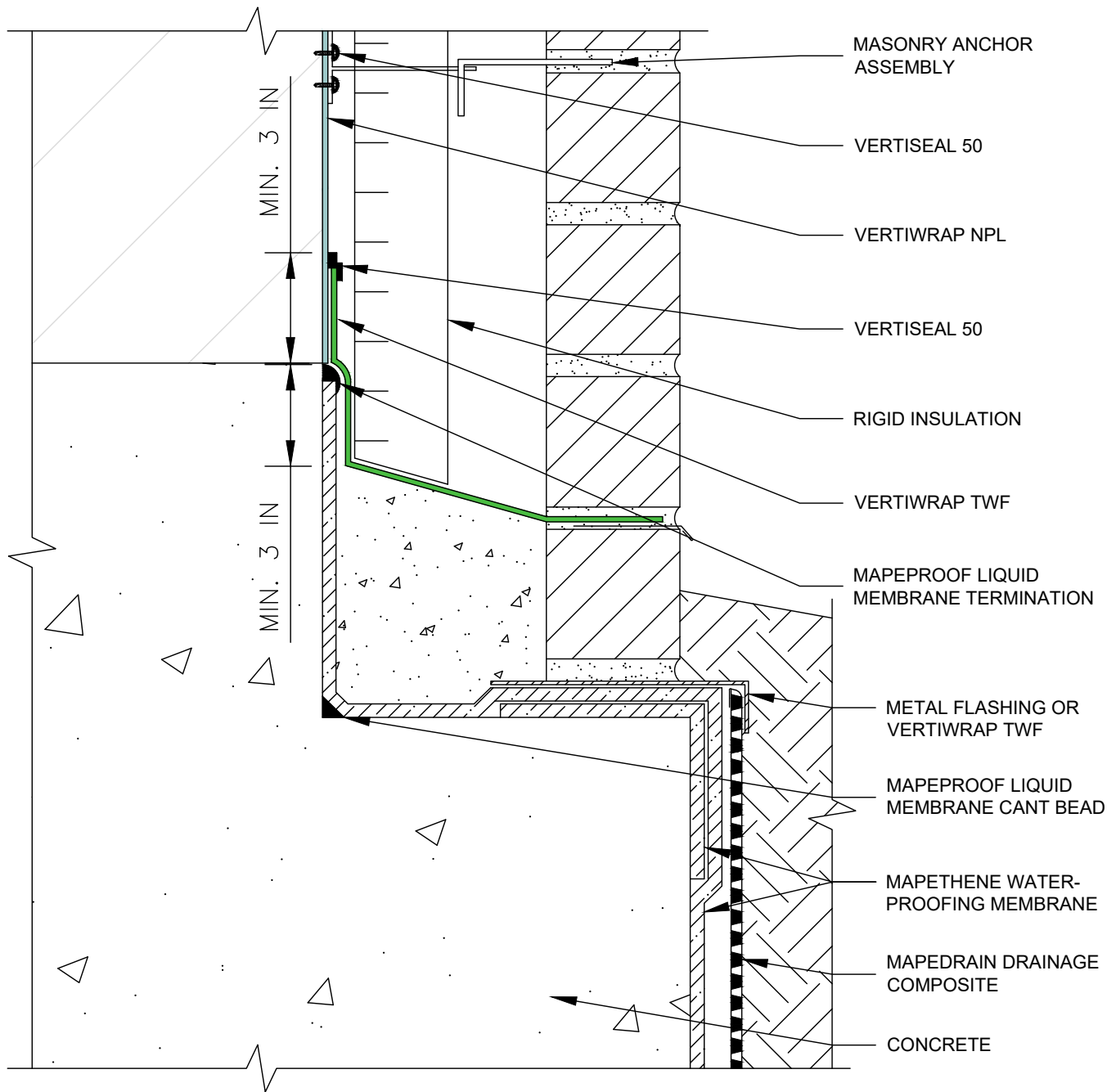
 polyglass.us
 1111 West Newport Center Drive
 Deerfield Beach, FL 33442
 Technical Service: (866) 794-9659
 technical@polyglass.com

VERTIWRAP NPL

PARAPET

DETAIL IS INTENDED TO BE A GUIDE FOR AIR BARRIER INSTALLATION ONLY.

SUPERCEDES:	00/00/0000
DATE:	04/01/2023
SCALE:	NOT TO SCALE
DRAWING #:	VW-NPL-6A



NOTES:

1. THIS WALL ASSEMBLY MAY NOT BE SUITABLE FOR ALL CLIMATES/REGIONS. CONSULT A BUILDING SCIENCE PROFESSIONAL FOR ASSISTANCE WITH EXTERIOR WALL DESIGNS
2. INSTALL THE VERTIWRAP SYSTEM TO FORM A CONTINUOUS AIR AND WATER BARRIER
3. INSTALL PRODUCTS ACCORDING TO THEIR RESPECTIVE TECHNICAL DATA SHEETS AND APPLICATION INSTRUCTIONS

POLYGLASS



polyglass.us

1111 West Newport Center Drive
Deerfield Beach, FL 33442
Technical Service: (866) 794-9659
technical@polyglass.com

VERTIWRAP NPL

**BASE OF WALL
TRANSITION TO MAPETHENE**

DETAIL IS INTENDED TO BE A GUIDE FOR AIR BARRIER INSTALLATION ONLY.

SUPERCEDES:

00/00/0000

DATE:

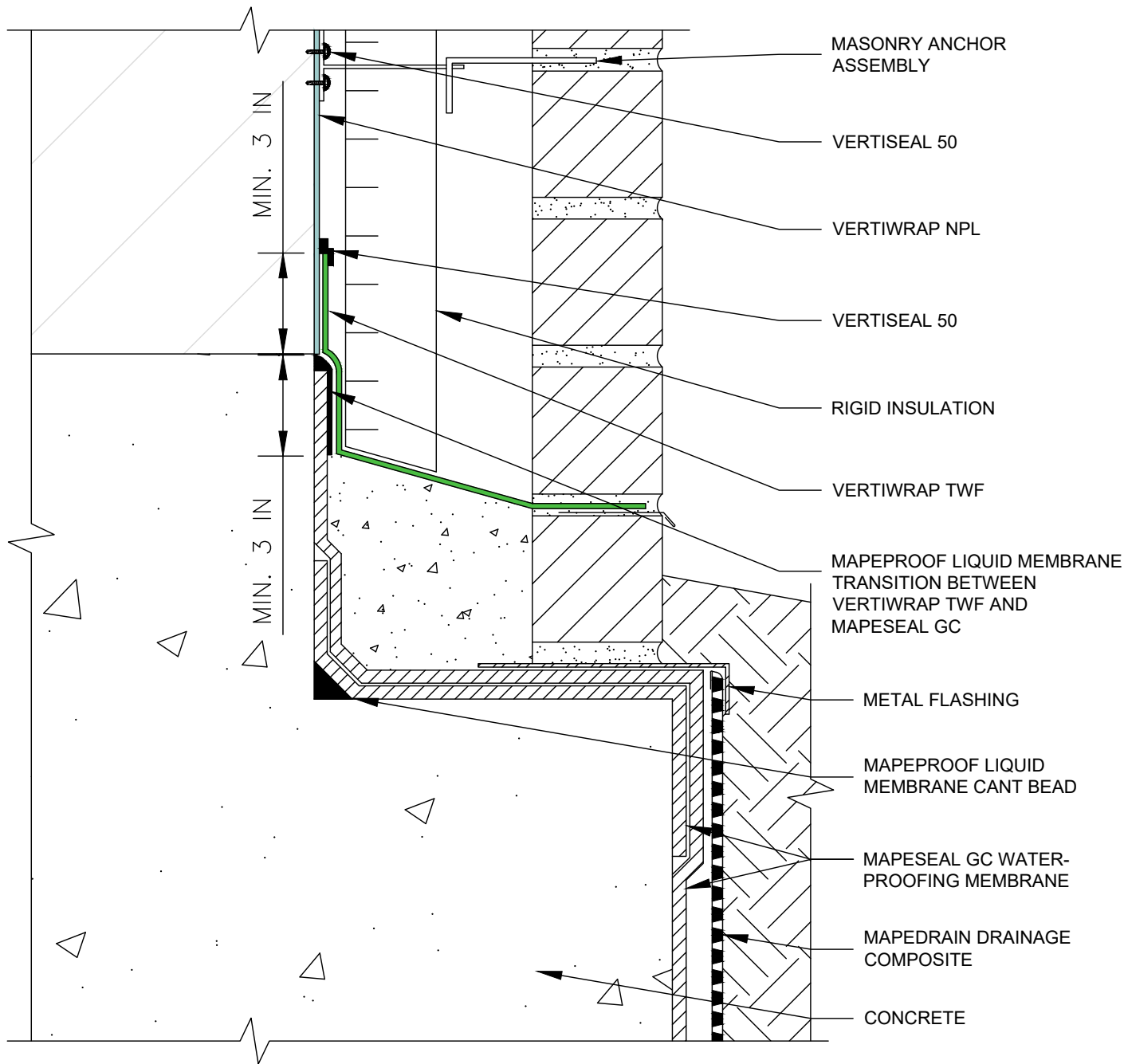
04/01/2023

SCALE:

NOT TO SCALE

DRAWING #:

VW-NPL-7A



NOTES:

1. THIS WALL ASSEMBLY MAY NOT BE SUITABLE FOR ALL CLIMATES/REGIONS. CONSULT A BUILDING SCIENCE PROFESSIONAL FOR ASSISTANCE WITH EXTERIOR WALL DESIGNS
2. INSTALL THE VERTIWRAP SYSTEM TO FORM A CONTINUOUS AIR AND WATER BARRIER
3. INSTALL PRODUCTS ACCORDING TO THEIR RESPECTIVE TECHNICAL DATA SHEETS AND APPLICATION INSTRUCTIONS

POLYGLASS



polyglass.us

1111 West Newport Center Drive
Deerfield Beach, FL 33442
Technical Service: (866) 794-9659
technical@polyglass.com

VERTIWRAP NPL

**BASE OF WALL
TRANSITION TO MAPESEAL GC**

DETAIL IS INTENDED TO BE A GUIDE FOR AIR BARRIER INSTALLATION ONLY.

SUPERCEDES:

04/01/2023

DATE:

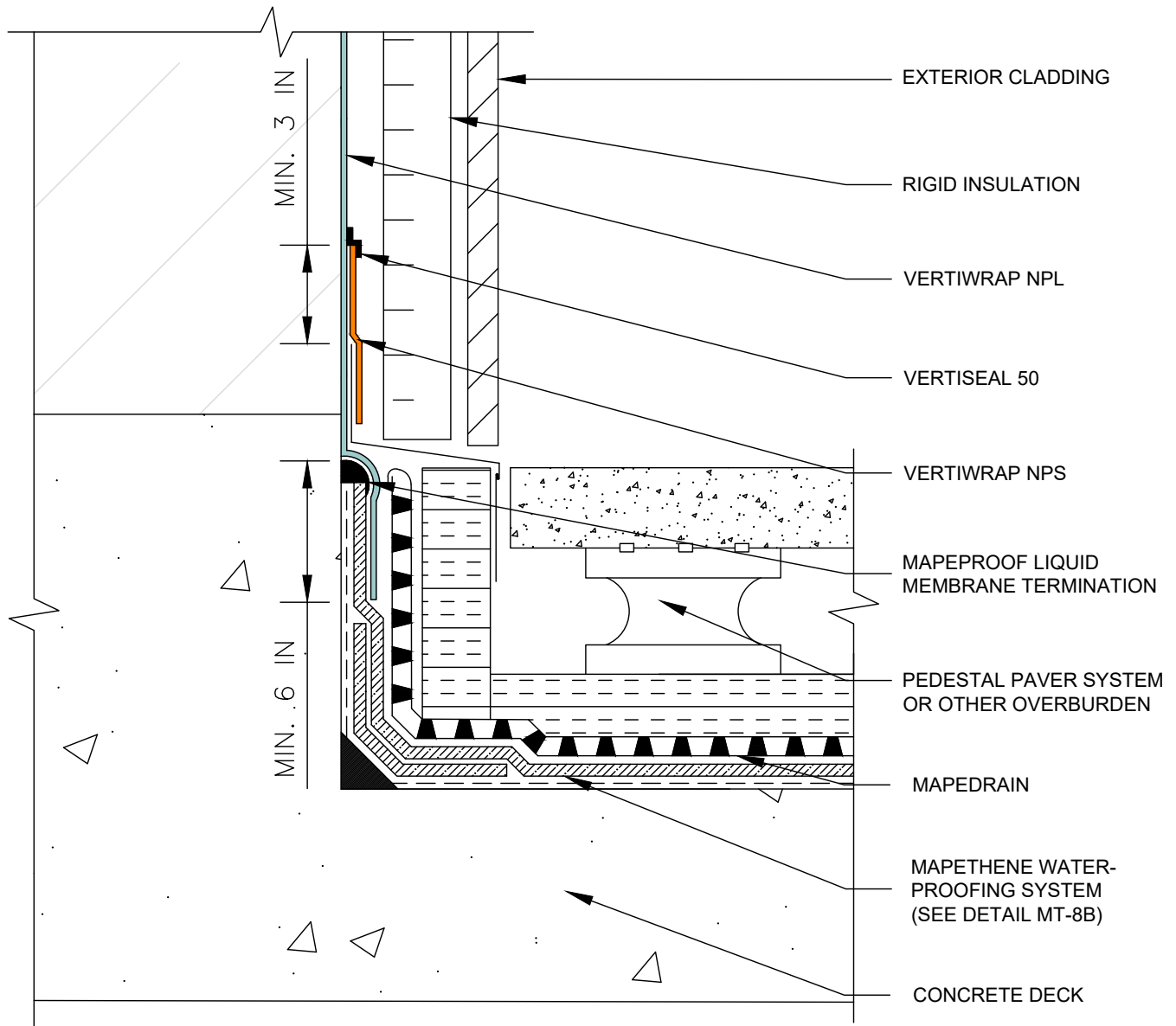
06/13/2023

SCALE:

NOT TO SCALE

DRAWING #:

VW-NPL-7B



NOTES:

1. THIS WALL ASSEMBLY MAY NOT BE SUITABLE FOR ALL CLIMATES/REGIONS. CONSULT A BUILDING SCIENCE PROFESSIONAL FOR ASSISTANCE WITH EXTERIOR WALL DESIGNS
2. INSTALL THE VERTIWRAP SYSTEM TO FORM A CONTINUOUS AIR AND WATER BARRIER
3. INSTALL PRODUCTS ACCORDING TO THEIR RESPECTIVE TECHNICAL DATA SHEETS AND APPLICATION INSTRUCTIONS

POLYGLASS



polyglass.us

1111 West Newport Center Drive
Deerfield Beach, FL 33442
Technical Service: (866) 794-9659
technical@polyglass.com

VERTIWRAP NPL

**DECK TO WALL
TRANSITION TO MAPETHENE**

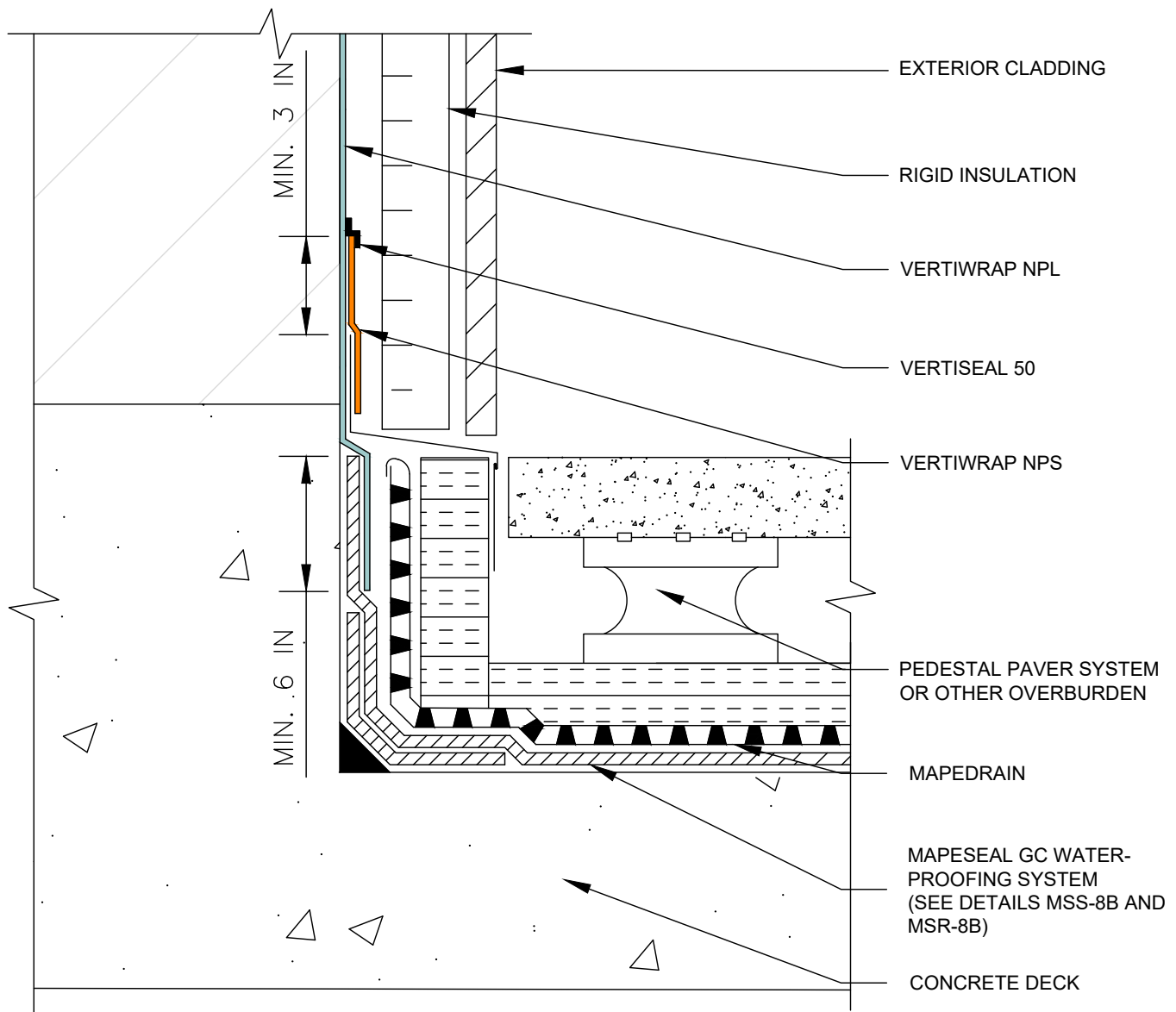
DETAIL IS INTENDED TO BE A GUIDE FOR AIR BARRIER INSTALLATION ONLY.

SUPERCEDES:
00/00/0000

DATE:
04/01/2023

SCALE:
NOT TO SCALE

DRAWING #:
VW-NPL-7C



NOTES:

1. THIS WALL ASSEMBLY MAY NOT BE SUITABLE FOR ALL CLIMATES/REGIONS. CONSULT A BUILDING SCIENCE PROFESSIONAL FOR ASSISTANCE WITH EXTERIOR WALL DESIGNS
2. INSTALL THE VERTIWRAP SYSTEM TO FORM A CONTINUOUS AIR AND WATER BARRIER
3. INSTALL PRODUCTS ACCORDING TO THEIR RESPECTIVE TECHNICAL DATA SHEETS AND APPLICATION INSTRUCTIONS

POLYGLASS



polyglass.us

1111 West Newport Center Drive
Deerfield Beach, FL 33442
Technical Service: (866) 794-9659
technical@polyglass.com

VERTIWRAP NPL

**DECK TO WALL
TRANSITION TO MAPESEAL GC**

DETAIL IS INTENDED TO BE A GUIDE FOR AIR BARRIER INSTALLATION ONLY.

SUPERCEDES:

04/01/2023

DATE:

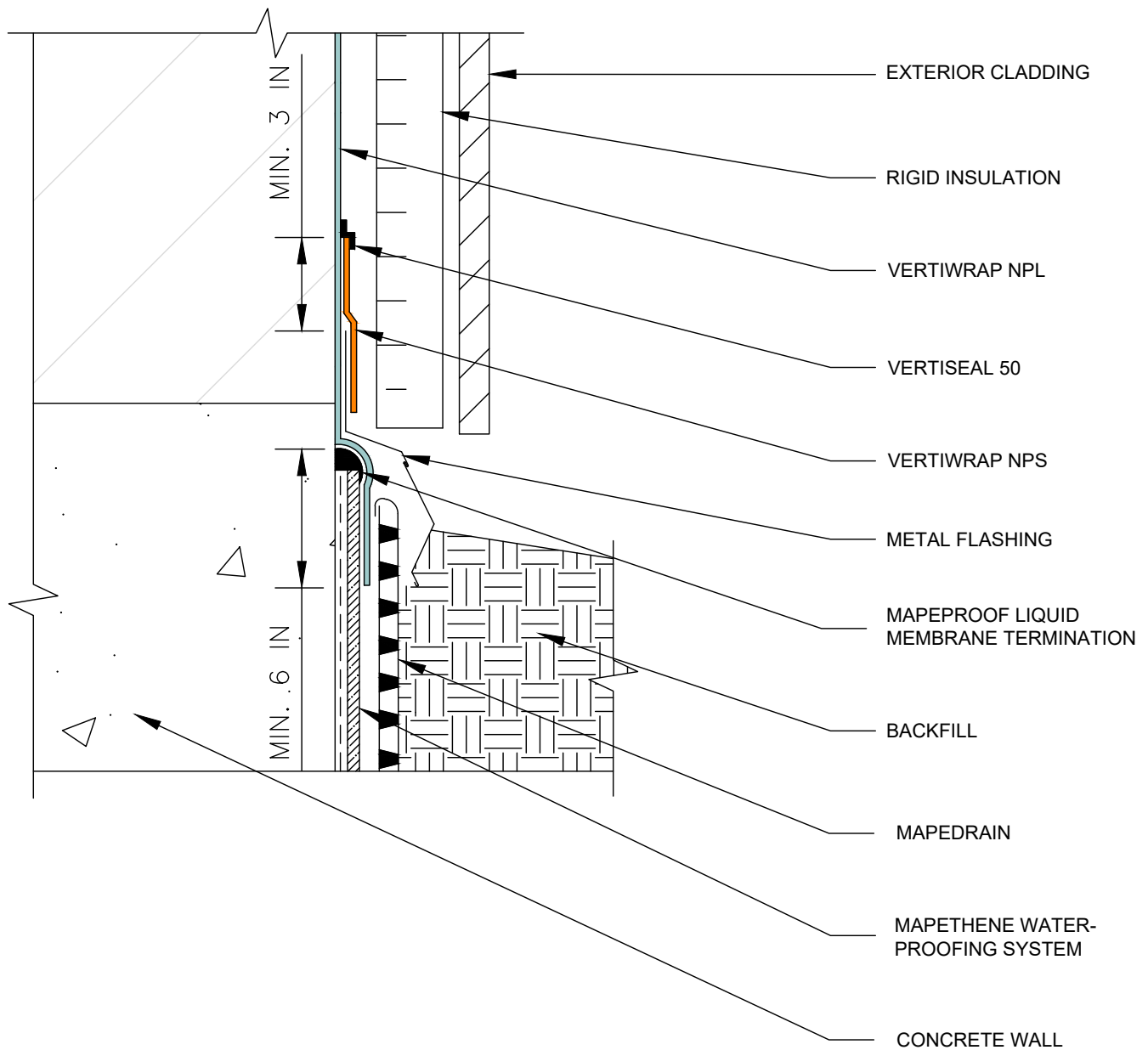
06/13/2023

SCALE:

NOT TO SCALE

DRAWING #:

VW-NPL-7D



NOTES:

1. THIS WALL ASSEMBLY MAY NOT BE SUITABLE FOR ALL CLIMATES/REGIONS. CONSULT A BUILDING SCIENCE PROFESSIONAL FOR ASSISTANCE WITH EXTERIOR WALL DESIGNS
2. INSTALL THE VERTIWRAP SYSTEM TO FORM A CONTINUOUS AIR AND WATER BARRIER
3. INSTALL PRODUCTS ACCORDING TO THEIR RESPECTIVE TECHNICAL DATA SHEETS AND APPLICATION INSTRUCTIONS

POLYGLASS



polyglass.us

1111 West Newport Center Drive
Deerfield Beach, FL 33442
Technical Service: (866) 794-9659
technical@polyglass.com

VERTIWRAP NPL

**AT GRADE
TRANSITION TO MAPETHENE**

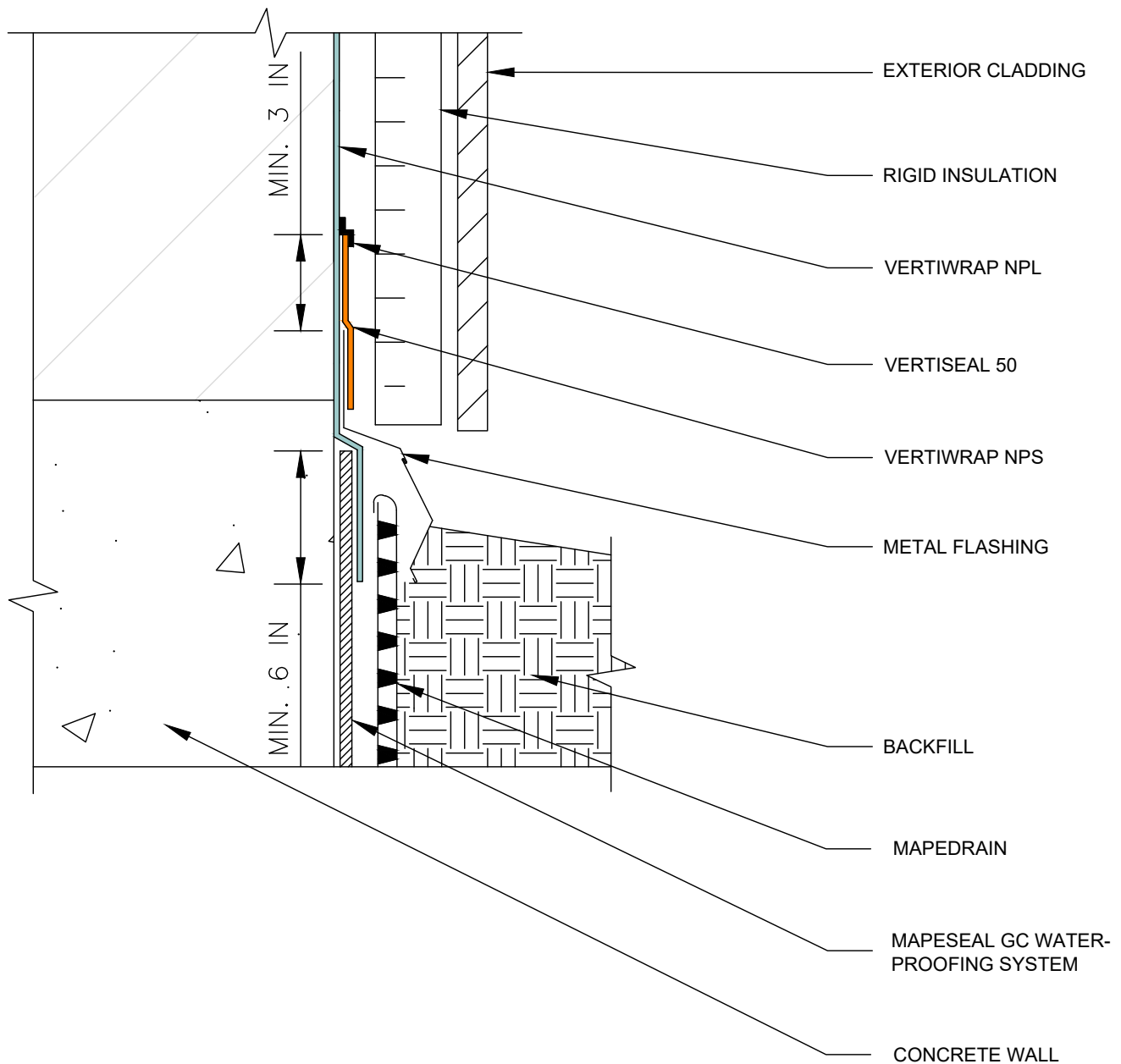
DETAIL IS INTENDED TO BE A GUIDE FOR AIR BARRIER INSTALLATION ONLY.

SUPERCEDES:
00/00/0000

DATE:
04/01/2023

SCALE:
NOT TO SCALE

DRAWING #:
VW-NPL-7E



NOTES:

1. THIS WALL ASSEMBLY MAY NOT BE SUITABLE FOR ALL CLIMATES/REGIONS. CONSULT A BUILDING SCIENCE PROFESSIONAL FOR ASSISTANCE WITH EXTERIOR WALL DESIGNS
2. INSTALL THE VERTIWRAP SYSTEM TO FORM A CONTINUOUS AIR AND WATER BARRIER
3. INSTALL PRODUCTS ACCORDING TO THEIR RESPECTIVE TECHNICAL DATA SHEETS AND APPLICATION INSTRUCTIONS

POLYGLASS



polyglass.us

1111 West Newport Center Drive
Deerfield Beach, FL 33442
Technical Service: (866) 794-9659
technical@polyglass.com

VERTIWRAP NPL

**AT GRADE
TRANSITION TO MAPESEAL GC**

DETAIL IS INTENDED TO BE A GUIDE FOR AIR BARRIER INSTALLATION ONLY.

SUPERCEDES:

04/01/2023

DATE:

06/13/2023

SCALE:

NOT TO SCALE

DRAWING #:

VW-NPL-7F