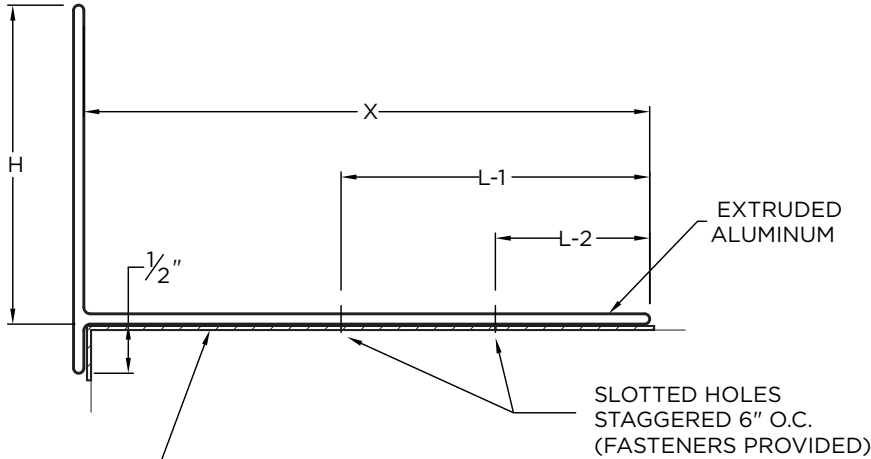




# POLYFORZA NAILER

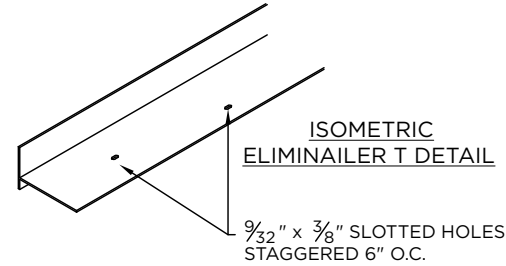
## WOOD NAILER ALTERNATIVE



MASONRY AND EXISTING WOOD NAILER ONLY:  
ISOLATION LAYER IS REQUIRED BETWEEN  
T-BAR AND SUBSTRATE (NOT REQUIRED FOR  
NON-TREATED LUMBER)

- 3" MIN. FOR 2.5" FLANGE
- 6" MIN. 4" AND 5.5" FLANGE

(SEE NOTES FOR ISOLATION EXAMPLES)



METAL DECK  
HEIGHT



### NOTES

**- Isolation Tape Required with Masonry and Existing Wood Nailer (Treated Wood):**

- Must use isolation layer between T-Bar and substrate when used with masonry or treated wood.
- Examples of isolation layers include rubber or plastic strips, peel and stick membrane or Manufacturer's isolation tape

**- Metal Deck (22 ga. or 20 ga. Only):**

- Must provide Metal Deck Height.
- Fasteners provided will be Metal Deck Height Plus 1" Min. Substrate must be 22 ga. or greater

**- Existing Wood Nailer:**

- 1.5" and 3" Face Heights: 2.5" flange recommended because of standard nailer size
- 5.2" Face Height: Due to slotted hole location a minimum of a 2x6 nailer must be used

- Product should be installed per provided installation instructions

- ANSI/SPRI/FM 4435/ES-1 Test Pressure up to 1200 psf.

### DIMENSIONS

PRODUCT ID. NO.	H DIM	X DIM	L-1 DIM	L-2 DIM	Bar Material
<input type="checkbox"/> ELI-T-1525	1.5"	2.5"	1.5"	0.75"	.080" Aluminum
<input type="checkbox"/> ELI-T-1555	1.5"	5.5"	3"	1.5"	.100" Aluminum
<input type="checkbox"/> ELI-T-3025	3"	2.5"	1.5"	0.75"	.080" Aluminum
<input type="checkbox"/> ELI-T-3055	3"	5.5"	3"	1.5"	.100" Aluminum
<input type="checkbox"/> ELI-T-5240	5.2"	4"	1.5"	0.75"	.125" Aluminum
<input type="checkbox"/> ELI-T-5255	5.2"	5.5"	3"	1.5"	.125" Aluminum

### SUBSTRATE / ADDITIONAL INFO

If substrate is not given, wood fasteners will be provided.

- Metal (\_\_\_\_\_ Metal Deck Height in Inches)
- Existing Wood Nailer
- Masonry
  - Concrete Wall (3000 PSI Concrete)
  - CMU Wall (1500 PSI)

### QUANTITIES

\_\_\_\_\_ Lineal Feet (12'-0" Lengths)

\_\_\_\_\_ Number of 3" Insulation Rolls (For 2.5" Flange) (180 FT Per Roll)

\_\_\_\_\_ Number of 6" Insulation Rolls (For 4" or 5.5" Flange) (180 FT Per Roll)

(Isolation Tape Not Needed for Metal Substrate or Non-Treated Lumber)

### APPROVALS



**ANSI/SPRI/FM 4435/ES-1**  
Test Pressures listed in notes

### PROJECT INFO

Project Name: \_\_\_\_\_

Architect: \_\_\_\_\_

Roofing Contractor: \_\_\_\_\_

**Project Type:**

By selecting this box you have verified and confirmed that dimensions, sizes, and quantities are correct. All products will be installed in strict accordance with printed instructions.

SHT# 1 of 1

DATE: 12/06/21

DRN BY: MM

CKD BY: MM

DWG #: 45018-37596

REV: A

Date: \_\_\_\_\_

**Polyglass USA, Inc.**  
1111 W. Newport Center Dr.  
Deerfield Beach, FL 33442  
Customer Service: 800-222-9782  
Technical Service: 866-794-9659