



POLYFORZA GUTTER OFFSET

NOTES

- Bottom sizes are provided in 1/2" increments
- Maximum downspout dimension not to exceed "B" minus 1-9/16"
- Roof flange is optional. If flange size is not provided, the gutter will not include a roof flange. If flange angle is not provided, the gutter will have a 90-degree flange.
- Pop rivets provided
- Unless otherwise noted, fabrication of miters and accessories are provided with a non-penetrating quicklock joint, then factory sealed watertight
- Welded accessories require minimum material thickness of .050 aluminum.
- For non-90 miters, see separate print approval
- Product should be installed per provided installation instructions
- ANSI/SPRI GT-1 Test Pressure up to 223 psf (Horizontal) and 136 psf (Vertical)

APPROVALS



ANSI/SPRI/GT-1
Test Pressures listed in notes

PROJECT INFO

Project Name:

Architect:

Roofing Contractor:

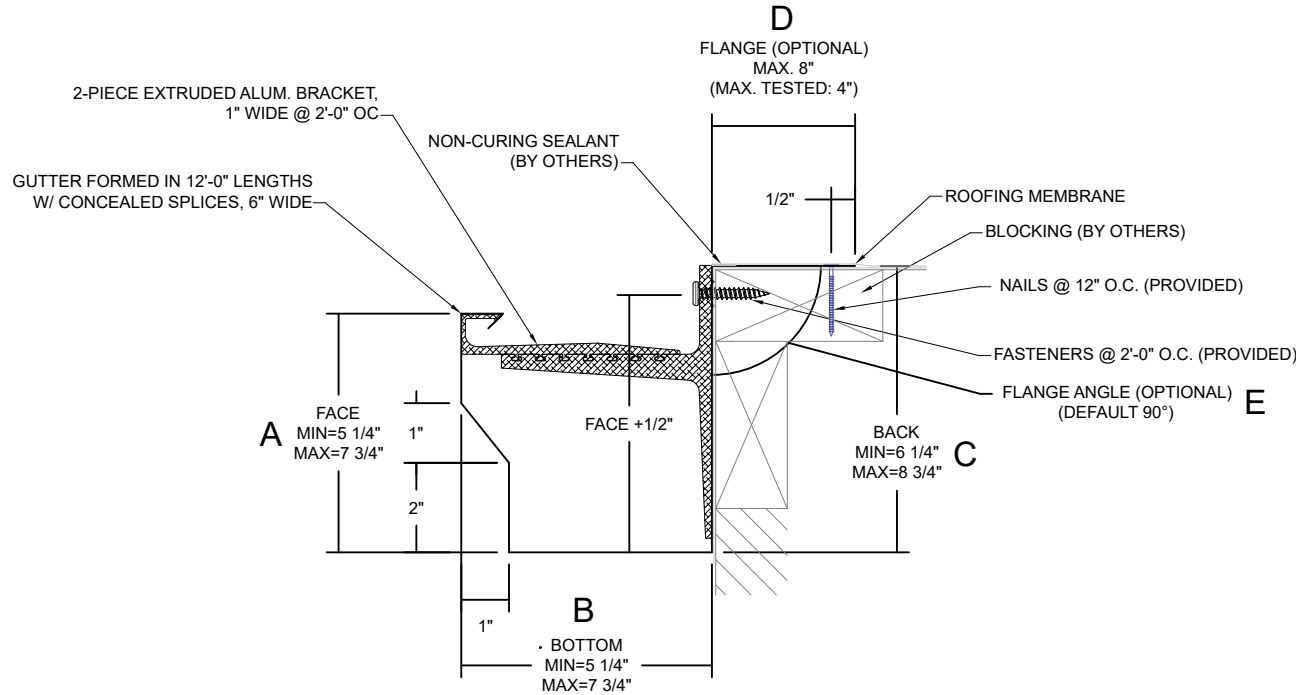
Project Type:

By selecting this box you have verified and confirmed that dimensions, sizes, and quantities are correct. All products will be installed in strict accordance with printed instructions.

Date:

Polyglass USA, Inc.
1111 W. Newport Center Dr.
Deerfield Beach, FL 33442
Customer Service: 800-222-9782
Technical Service: 866-794-9659

SHT# 1 of 2
DATE: 07/08/22
DRN BY: PL
CKD BY: KP
DWG #: 45012-39084
REV: A



DIMENSIONS

SELECT SIZE	A (FACE)	B (BOTTOM)	C (BACK)	FLANGE (OPTIONAL)
<input type="checkbox"/>	5 1/4"	5 1/4"	6 1/4"	<input type="checkbox"/>
<input type="checkbox"/>	5 3/4"	5 3/4"	6 3/4"	<input type="checkbox"/>
<input type="checkbox"/>	6 1/4"	6 1/4"	7 1/4"	<input type="checkbox"/>
<input type="checkbox"/>	6 3/4"	6 3/4"	7 3/4"	<input type="checkbox"/>
<input type="checkbox"/>	7 1/4"	7 1/4"	8 1/4"	<input type="checkbox"/>
<input type="checkbox"/>	7 3/4"	7 3/4"	8 3/4"	<input type="checkbox"/>

D (FLANGE SIZE)
(MAX 8"/MAX TESTED 4")
NOTE: IF SIZE IS NOT PROVIDED, GUTTER WILL NOT INCLUDE A ROOF FLANGE

E (FLANGE ANGLE)
NOTE: IF ANGLE IS NOT PROVIDED, FLANGE WILL BE 90°

MATERIAL

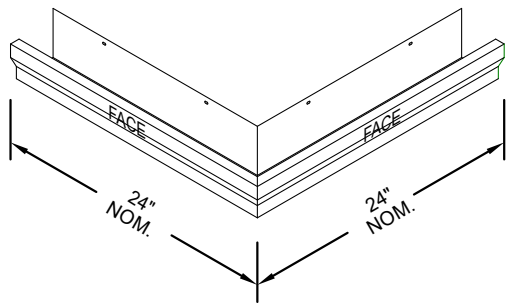
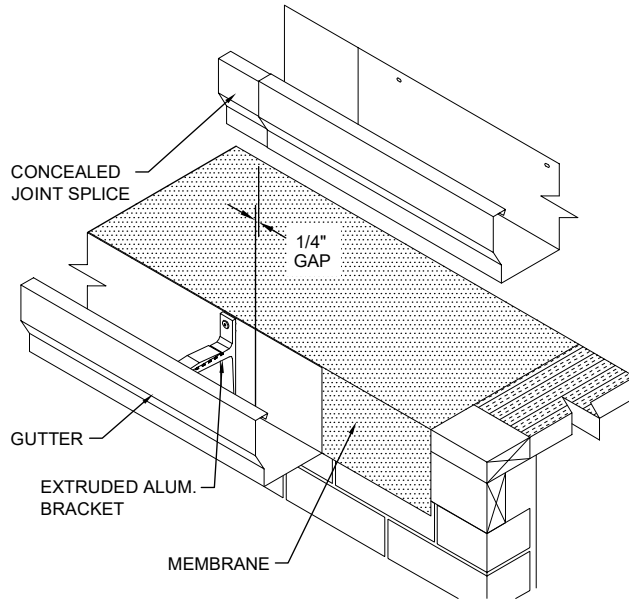
- 24 Ga. Galv. Steel
 - 22 Ga. Galv. Steel
 - .040" Aluminum
 - .050" Aluminum
 - .063" Aluminum
 - OTHER:
- Color:
- Finish:
- Substrate:
If substrate is not given, wood fasteners will be provided.
- Wood
 - Masonry
 - Metal

QUANTITIES

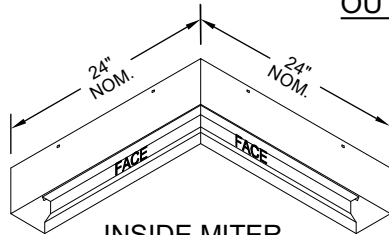
- Lineal Feet (12'-0" Lengths)
 - Outside Miter (90°)
 - Inside Miter (90°)
 - Right Endcaps
 - Left Endcaps
 - Expansion Joints (If Required)
- Accessory Type: Quicklock (Default) Welded (Surcharge)

POLYFORZA GUTTER

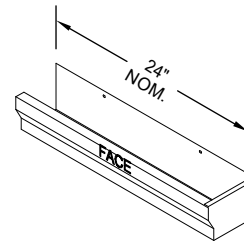
OFFSET STANDARD ACCESSORIES



OUTSIDE MITER

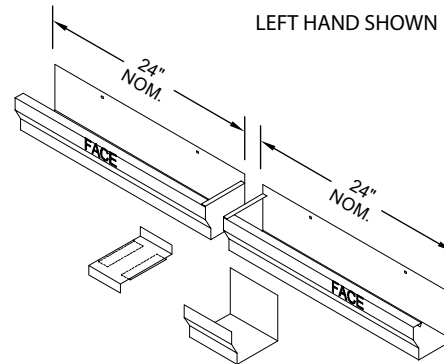


INSIDE MITER



END CAP

LEFT HAND SHOWN



EXPANSION JOINT
(IF REQUIRED)

Standard gutter miter leg lengths are 24" Nominal
 Standard gutter miter angle is 90°
 For special miter requirements, attach sketches or consult manufacturer for assistance.

SHT# 2 of 2

DATE: 07/08/22

DRN BY: PL

CKD BY: KP

DWG #: 45012-39084

REV: A

Polyglass USA, Inc.
 1111 W. Newport Center Dr.
 Deerfield Beach, FL 33442
 Customer Service: 800-222-9782
 Technical Service: 866-794-9659