

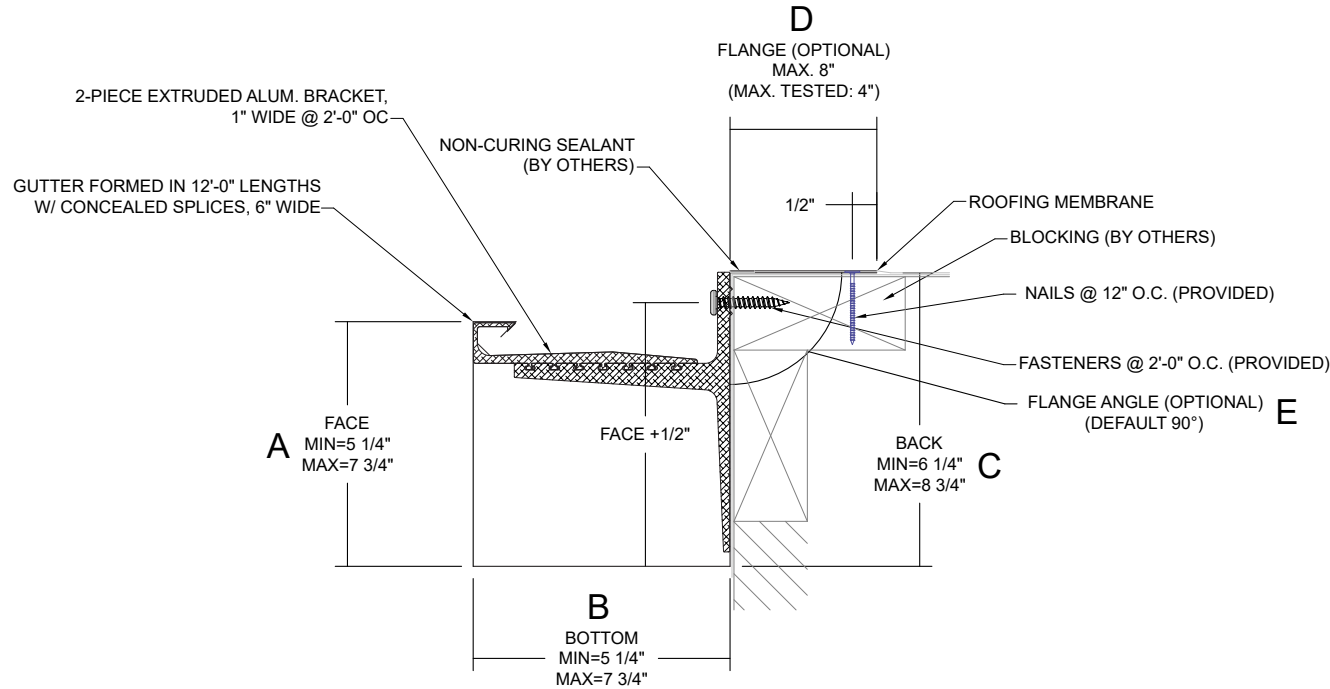


# POLYFORZA GUTTER

## BOX

### NOTES

- Bottom sizes are provided in 1/2" increments
- Maximum downspout dimension not to exceed "B" minus 9/16"
- Roof flange is optional. If flange size is not provided, the gutter will not include a roof flange. If flange angle is not provided, the gutter will have a 90-degree flange.
- Pop rivets provided
- Unless otherwise noted, fabrication of miters and accessories are provided with a non-penetrating quicklock joint, then factory sealed watertight
- Welded accessories require minimum material thickness of .050 aluminum.
- For non-90 miters, see separate print approval
- Product should be installed per provided installation instructions
- ANSI/SPRI GT-1 Test Pressure up to 223 psf (Horizontal) and 136 psf (Vertical)



### APPROVALS



**ANSI/SPRI/GT-1**  
Test Pressures listed in notes

### PROJECT INFO

Project Name:

Architect:

Roofing Contractor:

**Project Type:**

By selecting this box you have verified and confirmed that dimensions, sizes, and quantities are correct. All products will be installed in strict accordance with printed instructions.

Date:

SHT# 1 of 2

DATE: 07/08/22

DRN BY: PL

CKD BY: KP

DWG #: 45012-39083

REV: A

**Polyglass USA, Inc.**  
1111 W. Newport Center Dr.  
Deerfield Beach, FL 33442  
Customer Service: 800-222-9782  
Technical Service: 866-794-9659

### DIMENSIONS

SELECT SIZE	A (FACE)	B (BOTTOM)	C (BACK)	FLANGE (OPTIONAL)
<input type="checkbox"/>	5 1/4"	5 1/4"	6 1/4"	<input type="checkbox"/>
<input type="checkbox"/>	5 3/4"	5 3/4"	6 3/4"	<input type="checkbox"/>
<input type="checkbox"/>	6 1/4"	6 1/4"	7 1/4"	<input type="checkbox"/>
<input type="checkbox"/>	6 3/4"	6 3/4"	7 3/4"	<input type="checkbox"/>
<input type="checkbox"/>	7 1/4"	7 1/4"	8 1/4"	<input type="checkbox"/>
<input type="checkbox"/>	7 3/4"	7 3/4"	8 3/4"	<input type="checkbox"/>

**D (FLANGE SIZE)**  
(MAX 8"/MAX TESTED 4")  
*NOTE: IF SIZE IS NOT PROVIDED, GUTTER WILL NOT INCLUDE A ROOF FLANGE*

**E (FLANGE ANGLE)**  
*NOTE: IF ANGLE IS NOT PROVIDED, FLANGE WILL BE 90°*

### MATERIAL

- 24 Ga. Galv. Steel
  - 22 Ga. Galv. Steel
  - .040" Aluminum
  - .050" Aluminum
  - .063" Aluminum
  - OTHER:
- Color:
- Finish:
- Substrate:  
If substrate is not given, wood fasteners will be provided.
- Wood
  - Masonry
  - Metal

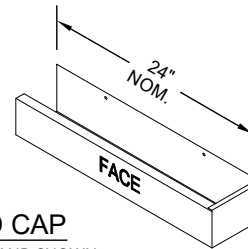
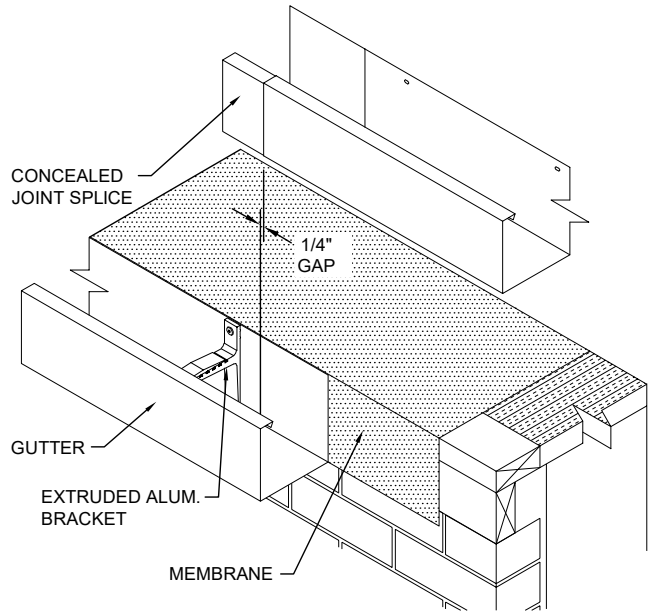
### QUANTITIES

- Lineal Feet ( 12'-0" Lengths)
- Outside Miter (90°)
- Inside Miter (90°)
- Right Endcaps
- Left Endcaps
- Expansion Joints (If Required)

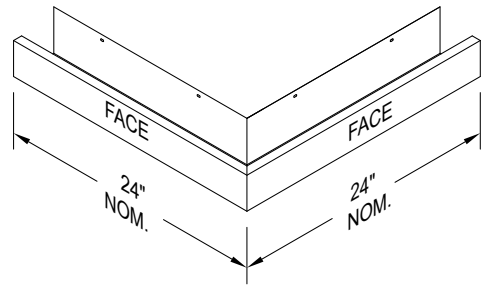
Accessory Type:  Quicklock (Default)  Welded (Surcharge)

# POLYFORZA GUTTER

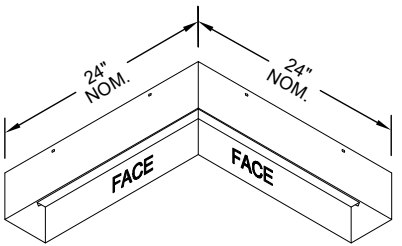
## BOX STANDARD ACCESSORIES



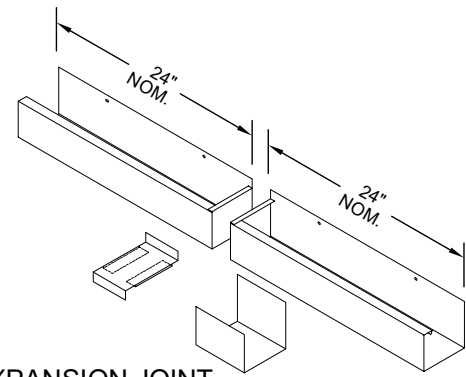
**END CAP**  
LEFT HAND SHOWN



**OUTSIDE MITER**



**INSIDE MITER**



**EXPANSION JOINT**  
(IF REQUIRED)

Standard gutter miter leg lengths are 24" Nominal  
 Standard gutter miter angle is 90°  
 For special miter requirements, attach sketches or consult manufacturer for assistance.

SHT#	<u>2</u>	of	<u>2</u>
DATE:	<u>07/08/22</u>		
DRN BY:	<u>PL</u>		
CKD BY:	<u>KP</u>		
DWG #:	<u>45012-39083</u>		
REV:	<u>A</u>		

**Polyglass USA, Inc.**  
 1111 W. Newport Center Dr.  
 Deerfield Beach, FL 33442  
 Customer Service: 800-222-9782  
 Technical Service: 866-794-9659