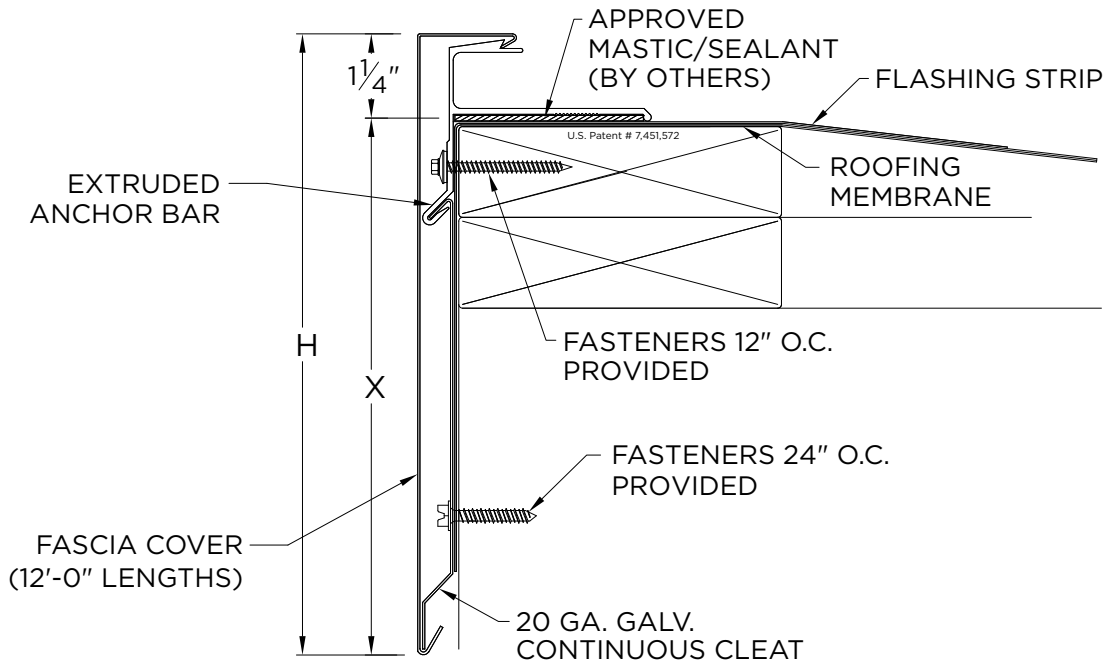


# POLYFORZA EXTENDED FASCIA

BUILT-UP OR MODIFIED VERSION



## NOTES

- Fascia cover provided with splice plates
- For non-90 miters, see separate print approval
- Product should be installed per provided installation instructions
- ANSI/SPRI/FM 4435/ES-1 Test Pressure up to 176 psf.

## APPROVALS



**ANSI/SPRI/FM 4435/ES-1**  
 Test Pressures listed in notes

## PROJECT INFO

Project Name: \_\_\_\_\_

Architect: \_\_\_\_\_

Roofing Contractor: \_\_\_\_\_

### Project Type:

By selecting this box you have verified and confirmed that dimensions, sizes, and quantities are correct. All products will be installed in strict accordance with printed instructions.

Date: \_\_\_\_\_

**Polyglass USA, Inc.**  
 1111 W. Newport Center Dr.  
 Deerfield Beach, FL 33442  
 Customer Service: 800-222-9782  
 Technical Service: 866-794-9659

SHT# 1 of 1

DATE: 02/01/22

DRN BY: JJC

CKD BY: MM

DWG #: 45010-17215

REV: B

## DIMENSIONS

PRODUCT ID. NO.	H DIM	X DIM	NAILER COVERAGE
<input type="checkbox"/> AEFM-85	8 1/2"	7 1/4"	4 NAILERS
<input type="checkbox"/> AEFM-100	10"	8 3/4"	5 NAILERS
<input type="checkbox"/> AEFM-115	11 1/2"	10 1/4"	6 NAILERS
<input type="checkbox"/> AEFM-130	13"	11 3/4"	7 NAILERS

## MATERIAL

- 22 Ga. Galv. Steel  
 .050" Aluminum  
 .063" Aluminum  
 OTHER: \_\_\_\_\_

Color: \_\_\_\_\_

Finish: \_\_\_\_\_

**Substrate:**  Wood

Metal  
If substrate is not given, wood fasteners will be provided.

## QUANTITIES

\_\_\_\_\_ Lineal Feet (12'-0" Lengths)

\_\_\_\_\_ Outside Miter (90°)

\_\_\_\_\_ Inside Miter (90°)

\_\_\_\_\_ Right Endcaps

\_\_\_\_\_ Left Endcaps

\_\_\_\_\_ Right Endwall Flashing

\_\_\_\_\_ Left Endwall Flashing

\_\_\_\_\_ Overflow Scupper

Style A

Style B

\_\_\_\_\_ Spillout Scupper

Style A

Style B

\_\_\_\_\_ Downspout Scupper

Style A  Style B

Size \_\_\_\_\_x\_\_\_\_\_

Style A=Tapered 1.5" Drop | Style B=Flat