



# POLYFORZA DRIP EDGE

## BUILT-UP OR MODIFIED VERSION

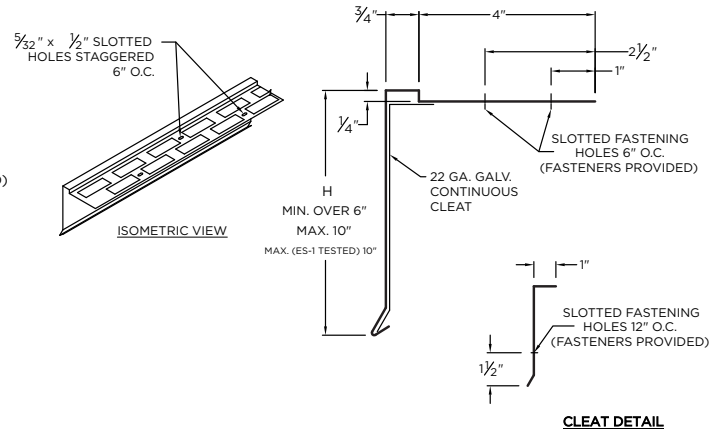
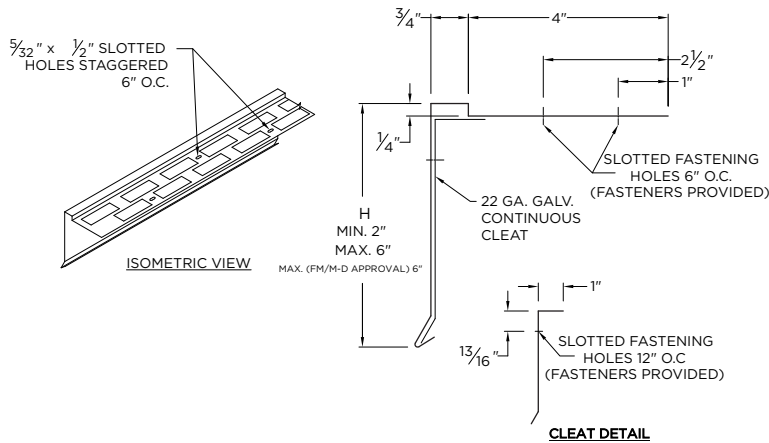
### NOTES

- Includes concealed splice plates that must be field caulked to prevent water entry
- Unless otherwise noted, fabrication of miters and accessories are provided with a non-penetrating quicklock joint, then factory sealed watertight
- Welded accessories require minimum material thickness of .050"
- For non-90 miters, see separate print approval
- Product should be installed per provided installation instructions
- ANSI/SPRI/FM 4435/ES-1 Test Pressure up to 276 psf
- FM and Miami-Dade Approval (Max 6" Face)

### FACE HEIGHT 6" OR LESS

### FACE HEIGHT OVER 6"

(NO FM or MIAMI-DADE APPROVAL)



### APPROVALS



ANSI/SPRI/FM 4435/ES-1  
Test Pressures listed in notes

### PROJECT INFO

Project Name:

Architect:

Roofing Contractor:

**Project Type:**

By selecting this box you have verified and confirmed that dimensions, sizes, and quantities are correct. All products will be installed in strict accordance with printed instructions.

Date:

**Polyglass USA, Inc.**  
1111 W. Newport Center Dr.  
Deerfield Beach, FL 33442  
Customer Service: 800-222-9782  
Technical Service: 866-794-9659

SHT# 1 of 1  
DATE: 02/03/22  
DRN BY: JJC  
CKD BY: MM  
DWG #: 45010-37595  
REV: A

### DIMENSIONS

(H) Face Height (inches-Max 10")

### MATERIAL

- 24 Ga. Galv. Steel      Color:
- 22 Ga. Galv. Steel      Finish:
- .040" Aluminum
- .050" Aluminum
- .063" Aluminum
- OTHER:
- Substrate:**  Wood  
If substrate is not given, wood fasteners will be provided.  Masonry  
 Metal

### QUANTITIES

Lineal Feet (12'-0" Lengths)

Outside Miter (90°)

Inside Miter (90°)

Accessory Type:

Quicklock (Default)

Welded (Surcharge)