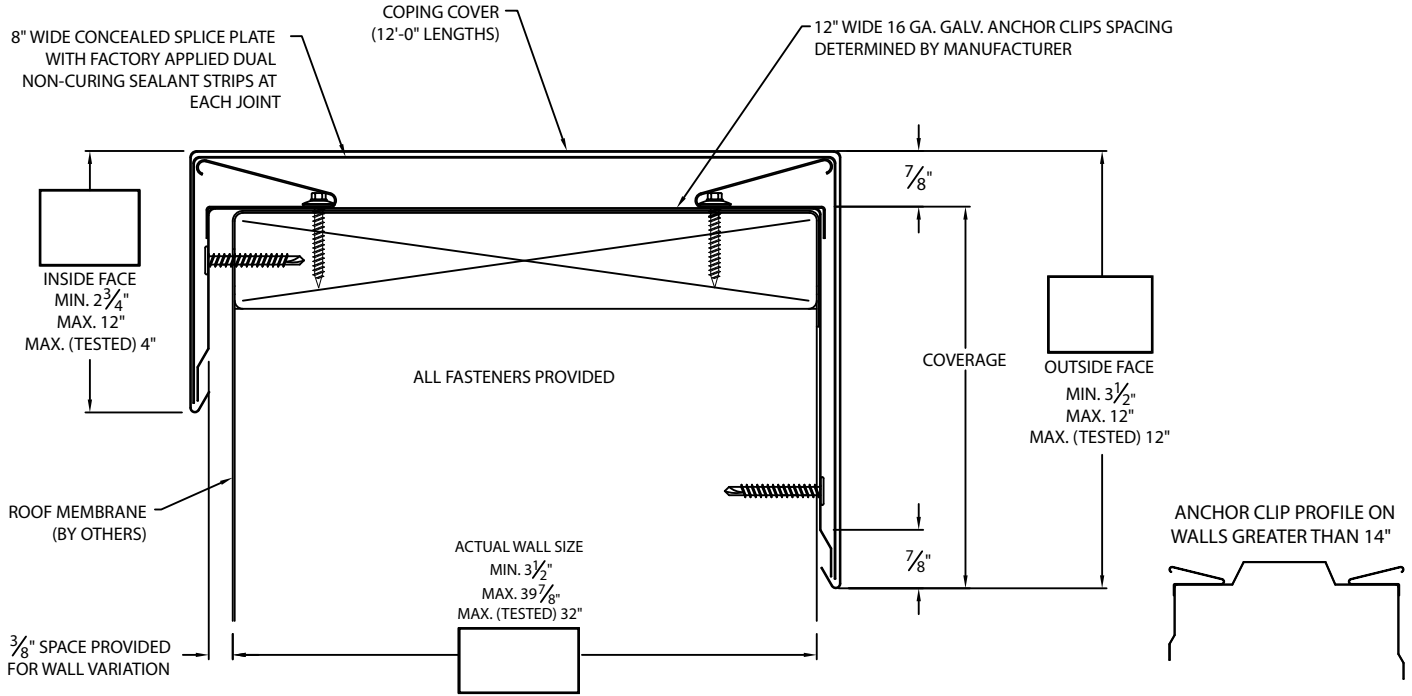




POLYFORZA GOLD COPING FLAT



* NOTES

- Oil canning can occur on larger face heights and wall widths; recommend 22 Ga., .050" or .063" Aluminum for face height over 8" or wall width over 12".

- 24 ga. Galv and .040" Aluminum coping covers available for wall sizes of 3.5" to 24" ONLY

- Unless otherwise noted, fabrication of miters and accessories are furnished standard utilizing a non-penetrating quicklock joint, then factory sealed watertight.

- Welded accessories require a minimum material thickness of .050" Aluminum

- For non-90 miters, see separate print approval

- Product should be installed per provided installation instructions

- ANSI/SPRI/FM 4435/ES-1 test pressures up to 297 psf (Horizontal) and 513 psf (Vertical)

PROJECT INFO

Project Name:

Architect:

Roofing Contractor:

Project Type:

By selecting this box you have verified and confirmed that dimensions, sizes, and quantities are correct. All products will be installed in strict accordance with printed instructions.

Date:

Polyglass USA, Inc.

1111 W. Newport Center Dr.
Deerfield Beach, FL 33442
Customer Service: 800-222-9782
Technical Service: 866-794-9659

SHT# 1 of 2

DATE: 06/06/22

DRN BY: MM

CKD BY: MM

DWG #: 45011-37593

REV: A

APPROVALS*

ANSI/SPRI/FM 4435/ES-1
Test Pressures listed in notes



MATERIAL*

- | | |
|--|---|
| <input type="checkbox"/> 24 Ga. Galv. Steel | Color: <input type="text"/> |
| <input type="checkbox"/> 22 Ga. Galv. Steel | Finish: <input type="text"/> |
| <input type="checkbox"/> .040" Aluminum | Substrate: (For Top Fasteners) |
| <input type="checkbox"/> .050" Aluminum | |
| <input type="checkbox"/> .063" Aluminum | if substrate is not given, wood fasteners will be provided. |
| <input type="checkbox"/> OTHER: <input type="text"/> | <input type="checkbox"/> Wood |
| | <input type="checkbox"/> Masonry |
| | <input type="checkbox"/> Metal |

QUANTITIES

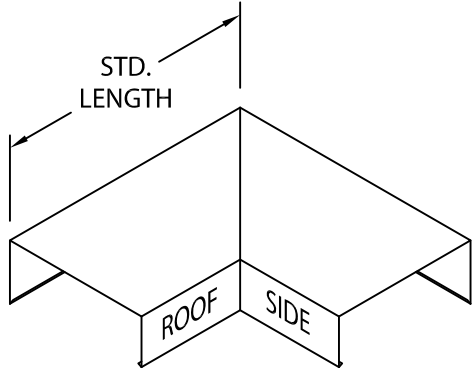
- Lineal Feet (12'-0" Lengths)
- Outside Miter (90°)
- Inside Miter (90°)
- Right Endcaps
- Left Endcaps

Accessory Type* : Quicklock (Default) Welded (Surcharge)

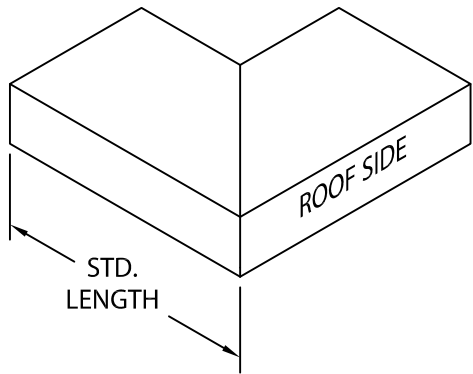
- Right Endwall Flashing (Coping Version)
- Left Endwall Flashing (Coping Version)
- Right Endwall Flashing (Splice Plate Version)
- Left Endwall Flashing (Splice Plate Version)

POLYFORZA GOLD COPING

STANDARD ACCESSORIES

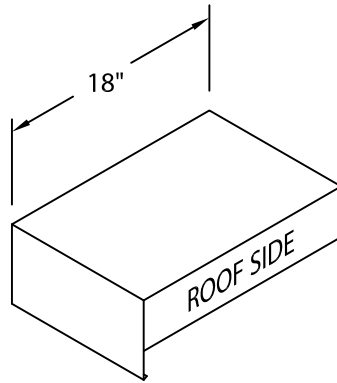


OUTSIDE MITER

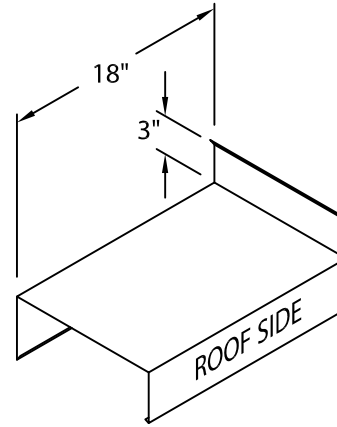


INSIDE MITER

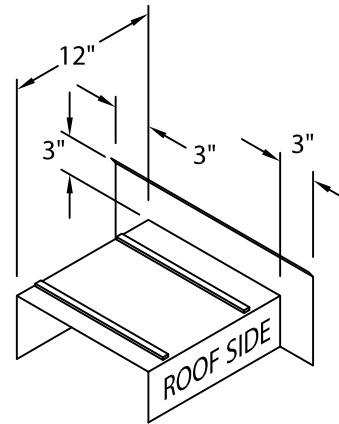
MITER STANDARD LEG LENGTH:
 $WALL\ SIZE + 9\frac{5}{8}'' = LENGTH$



ENDCAP
 (LEFT HAND SHOWN)



ENDWALL FLASHING
 COPING VERSION
 (RIGHT HAND SHOWN)



ENDWALL FLASHING
 SPLICE PLATE VERSION
 (RIGHT HAND SHOWN)
 (AVAILABLE ONLY IN
 .040" WELDED, PAINTED
 TO MATCH COPING)

NOTES

Additional accessories are available including:

- Transition Miters
- Straight Transition Miters
- "T" Miters
- "Z" Miters
- Step-up Miters
- Peak / Valley Miters
- Pilaster Caps
- Radius Coping
- Arched Coping

For additional accessory requirements, attach sketches or call manufacturer for assistance.

SHT# 2 of 2

DATE: 06/06/22

DRN BY: JJC

CKD BY: MM

DWG #: 45011-37593

REV: A

Polyglass USA, Inc.
 1111 W. Newport Center Dr.
 Deerfield Beach, FL 33442
 Customer Service: 800-222-9782
 Technical Service: 866-794-9659