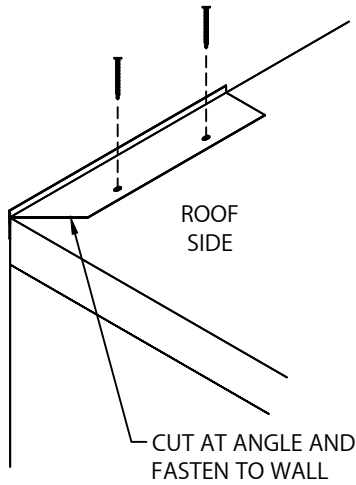




# POLYFORZA NAILER

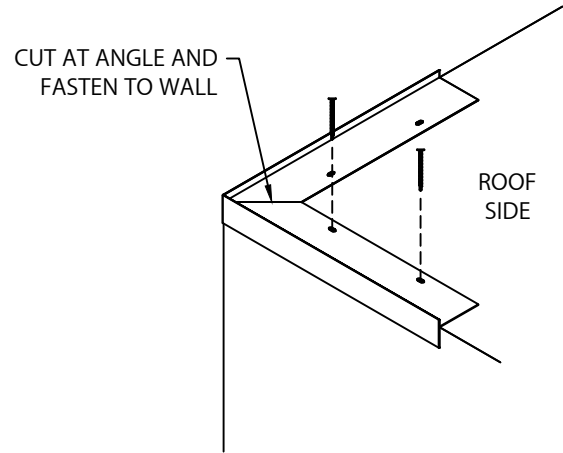
FLUTE FILL METAL ROOF VERSION

INSTALLATION INSTRUCTIONS



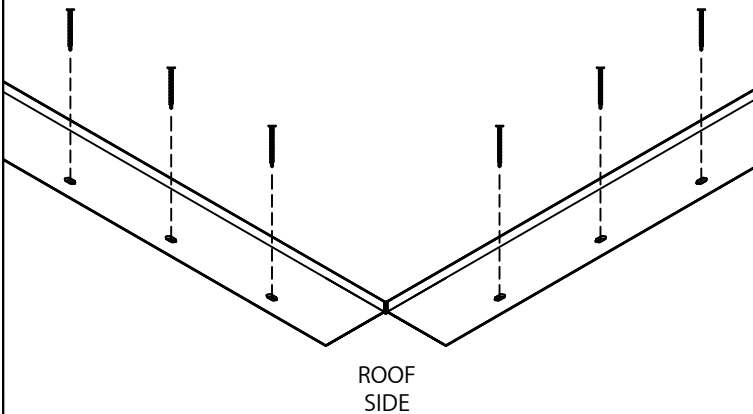
### 1. OUTSIDE MITER FABRICATION

CUT A PIECE OF ELIMINAILER T (ANY LENGTH) ON AN ANGLE. FASTEN TO WALL 6" O.C. AT CORNER WITH PROVIDED FASTENERS.



### 2. OUTSIDE MITER FABRICATION

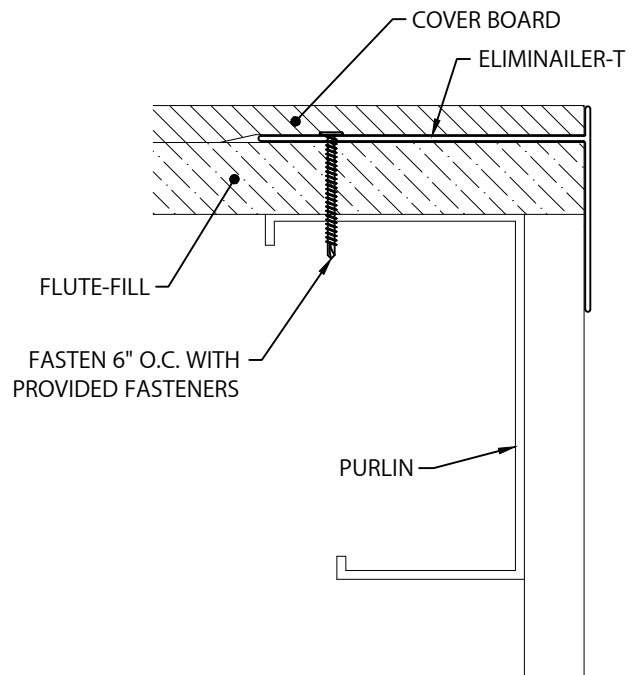
CUT A SECOND PIECE OF ELIMINAILER T (ANY LENGTH) ON AN ANGLE TO FORM A COMPLETE MITER. FASTEN TO WALL AT CORNER WITH PROVIDED FASTENERS 6" O.C.



### 3. INSIDE MITERS

NO BAR CUTTING IS NEEDED FOR INSIDE MITERS. SIMPLY BUTT FULL SIZE BARS TIGHT INTO CORNER AND FASTEN TO WALL 6" O.C. WITH PROVIDED FASTENERS.

### TYPICAL INSTALLATION



polyglass.us  
1111 West Newport Center Drive  
Deerfield Beach, FL 33442  
Technical Service: (866) 794-9659  
technical@polyglass.com

DATE: 03/02/22

DRN BY: MLM

CKD BY: MM

SHT.# 1 OF 2

DWG# 45118-37602

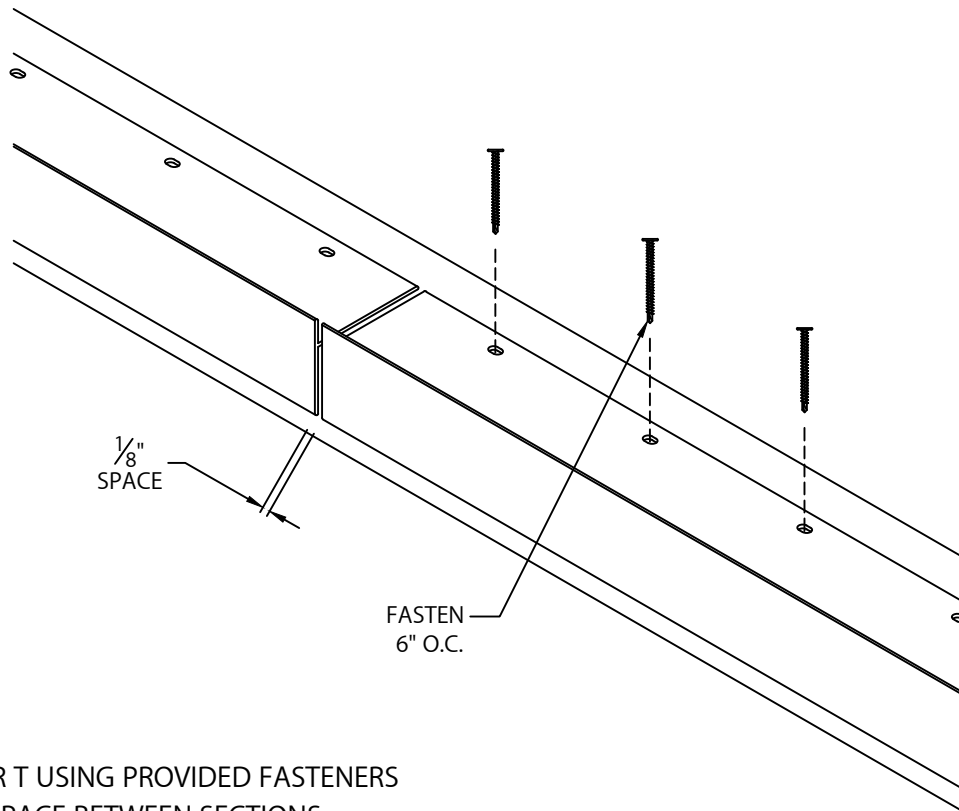
A



# POLYFORZA NAILER

FLUTE FILL METAL ROOF VERSION

INSTALLATION INSTRUCTIONS



#### 4. ELIMINAILER T

FASTEN ELIMINAILER T USING PROVIDED FASTENERS  
6" O.C. LEAVE A  $\frac{1}{8}$ " SPACE BETWEEN SECTIONS.



polyglass.us  
1111 West Newport Center Drive  
Deerfield Beach, FL 33442  
Technical Service: (866) 794-9659  
technical@polyglass.com

DATE: 03/02/22

DRN BY: MLM

CKD BY: MM

SHT.# 2 OF 2

DWG# 45118-37602

**A**