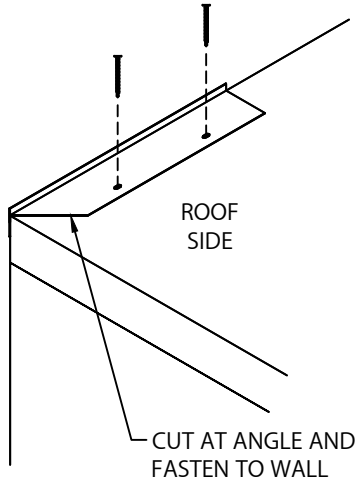




POLYFORZA NAILER

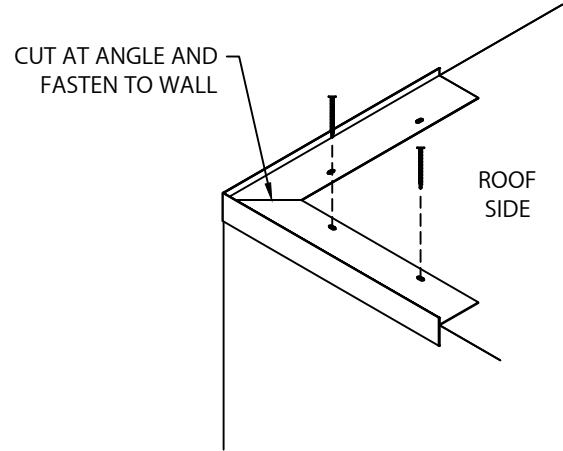
FLUTE FILL METAL ROOF VERSION

INSTALLATION INSTRUCTIONS



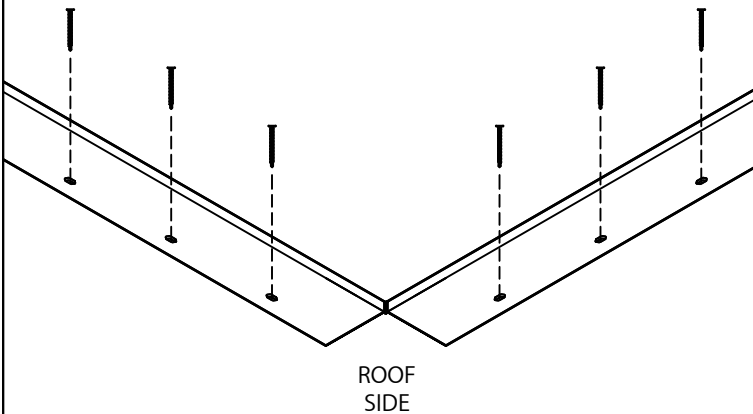
1. OUTSIDE MITER FABRICATION

CUT A PIECE OF ELIMINAILER T (ANY LENGTH) ON AN ANGLE. FASTEN TO WALL 6" O.C. AT CORNER WITH PROVIDED FASTENERS.



2. OUTSIDE MITER FABRICATION

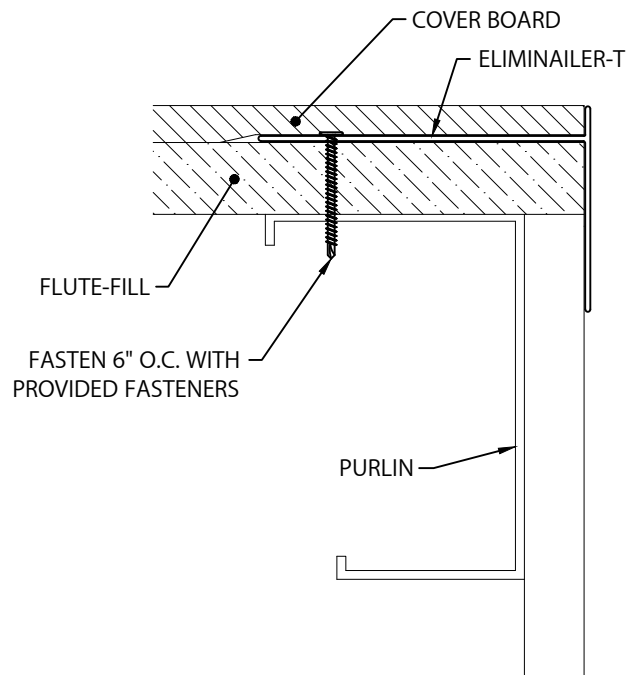
CUT A SECOND PIECE OF ELIMINAILER T (ANY LENGTH) ON AN ANGLE TO FORM A COMPLETE MITER. FASTEN TO WALL AT CORNER WITH PROVIDED FASTENERS 6" O.C.



3. INSIDE MITERS

NO BAR CUTTING IS NEEDED FOR INSIDE MITERS. SIMPLY BUTT FULL SIZE BARS TIGHT INTO CORNER AND FASTEN TO WALL 6" O.C. WITH PROVIDED FASTENERS.

TYPICAL INSTALLATION



polyglass.us
1111 West Newport Center Drive
Deerfield Beach, FL 33442
Technical Service: (866) 794-9659
technical@polyglass.com

DATE: 03/02/22

DRN BY: MLM

CKD BY: MM

SHT.# 1 OF 2

DWG# 45118-37602

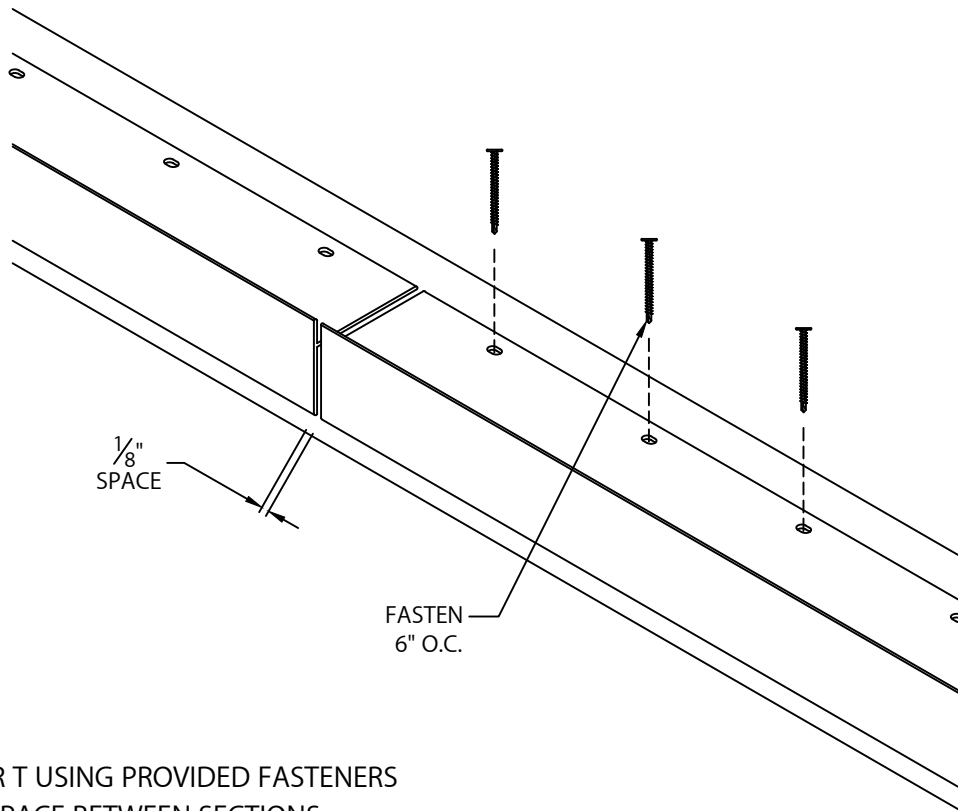
A



POLYFORZA NAILER

FLUTE FILL METAL ROOF VERSION

INSTALLATION INSTRUCTIONS



4. ELIMINAILER T

FASTEN ELIMINAILER T USING PROVIDED FASTENERS
6" O.C. LEAVE A $\frac{1}{8}$ " SPACE BETWEEN SECTIONS.



polyglass.us
1111 West Newport Center Drive
Deerfield Beach, FL 33442
Technical Service: (866) 794-9659
technical@polyglass.com

DATE: 03/02/22

DRN BY: MLM

CKD BY: MM

SHT.# 2 OF 2

DWG# 45118-37602

A