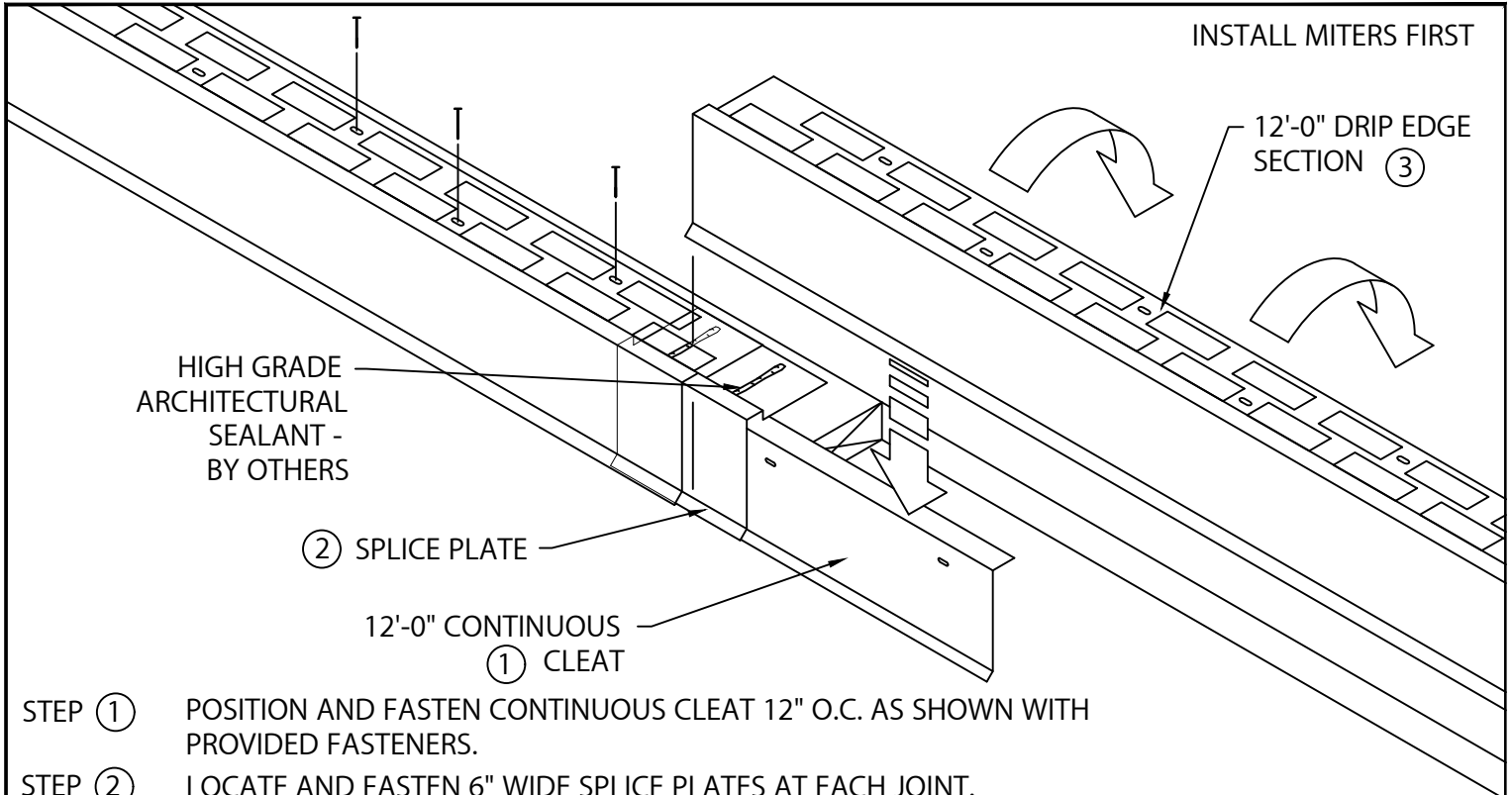




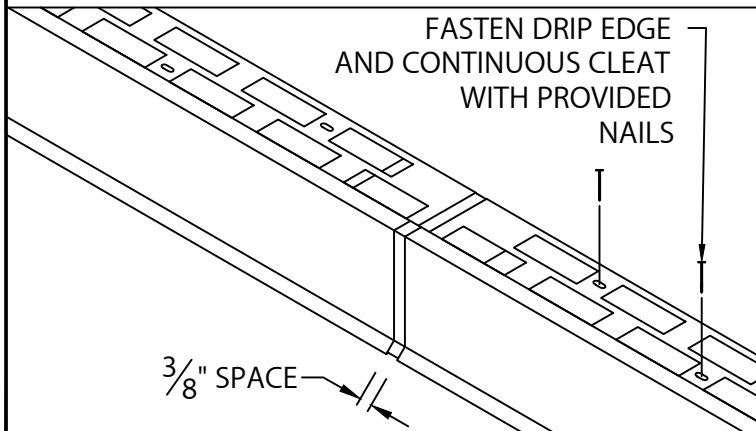
# POLYFORZA DRIP EDGE

BUILT-UP OR MODIFIED VERSION

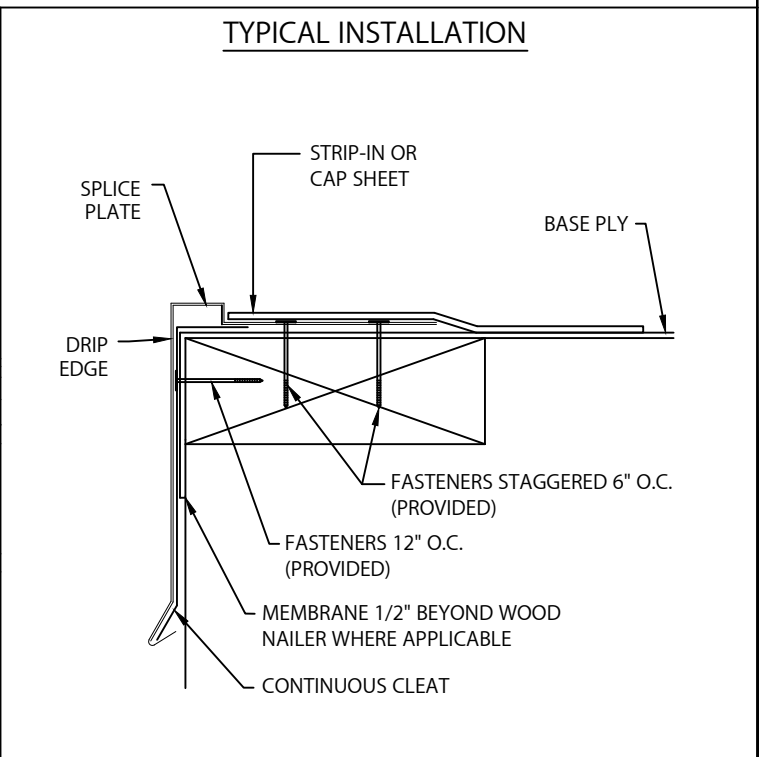
INSTALLATION INSTRUCTIONS



- STEP ① POSITION AND FASTEN CONTINUOUS CLEAT 12" O.C. AS SHOWN WITH PROVIDED FASTENERS.
- STEP ② LOCATE AND FASTEN 6" WIDE SPLICE PLATES AT EACH JOINT. SEALANT (BY OTHERS) TO BE FIELD APPLIED TO TOP OF EACH SPLICE PLATE AS SHOWN.
- STEP ③ HOOK DRIP EDGE OF EACH DRIP EDGE SECTION ONTO CONTINUOUS CLEAT, ROTATE INTO PLACE, AND FASTEN WITH PROVIDED FASTENERS.



- STEP ④ CONTINUE BY INSTALLING DRIP EDGE SECTIONS ALLOWING A 3/8" SPACE BETWEEN SECTIONS AS SHOWN. FIELD CUT AS NECESSARY. REMOVE PROTECTIVE FILM IMMEDIATELY AFTER INSTALLATION. INSTALLERS SHALL WEAR PROTECTIVE EYEWEAR TO PREVENT INJURY.



polyglass.us  
 1111 West Newport Center Drive  
 Deerfield Beach, FL 33442  
 Technical Service: (866) 794-9659  
 technical@polyglass.com

DATE: 03/02/22  
 DRN BY: MLM  
 CKD BY: MM

SHT.# \_\_\_ OF \_\_\_  
 DWG# 45110-37600 **A**