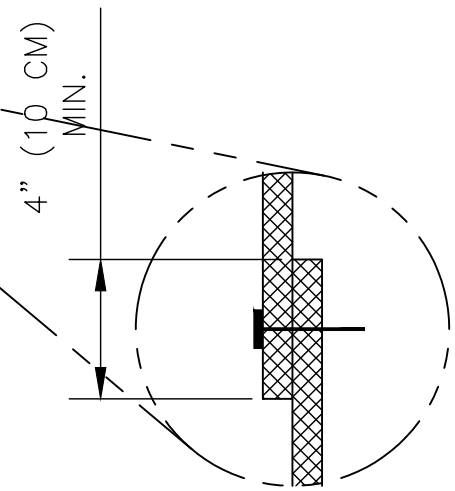


**NOTES:**

1. INSTALL FIRST ROLL OF MAPEPROOF HW/SW AT BASE OF WALL IN A HORIZONTAL MANNER. AFTER THE BOTTOM HORIZONTAL COURSE, MAPEPROOF HW/SW ROLLS CAN BE INSTALLED EITHER VERTICALLY OR HORIZONTALLY ORIENTED.
2. FASTEN MAPEPROOF HW/SW ONTO APPROVED SUBSTRATE WITH THE BLACK WOVEN SIDE FACING THE SUBSTRATE AND THE WHITE NON-WOVEN SIDE FACING OUT/TOWARD INSTALLER USING FASTENERS COMPATIBLE WITH THE SUBSTRATE AND 1 IN (2.5 CM) WASHERS.
3. LAP SIDE AND END SPLICES A MIN. OF 4 IN (10 CM).
4. STAGGER END SPLICES A MIN. OF 12 IN (30 CM).
5. USE ENOUGH FASTENERS IN THE FIELD TO PREVENT BLOUSING OF THE MEMBRANE.



**WALL ELEVATION**



**polyglass.us**  
 1111 West Newport Center Drive  
 Deerfield Beach, FL 33442  
 Technical Service: (866) 794-9659  
 technical@polyglass.com

**VERTICAL (WALL) INSTALLATION**

DETAIL IS INTENDED TO BE A GUIDE FOR WATERPROOFING INSTALLATION ONLY.

<b>SUPERCEDES:</b>	00/00/0000
<b>DATE:</b>	02/01/2022
<b>SCALE:</b>	NOT TO SCALE
<b>DRAWING #:</b>	<b>MP-1A</b>