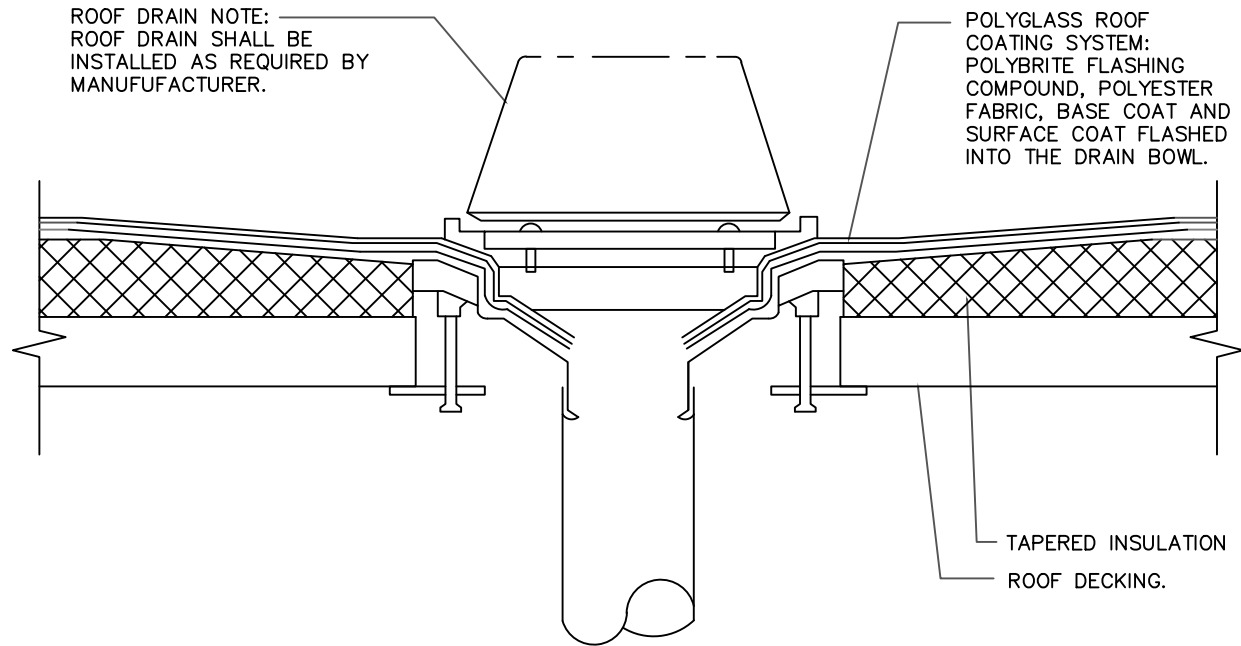


POLYGLASS ROOFING SYSTEM DETAIL



DETAIL KEYNOTES

- SURFACE COAT POLYGLASS ELASTOMERIC ROOF COATINGS.
- BASE COAT POLYGLASS ELASTOMERIC ROOF COATINGS.
- FLASHING COMPOUND POLYBRITE FLASHING COMPOUND WHERE REQUIRED. APPLY AT 1/8" THICK AND USE WITH POLYESTER REINFORCEMENT.
- POLYESTER POLYBRITE REINFORCING POLYESTER.
- SURFACE PREPARATION ALL SURFACES SHALL BE CLEAN, DRY, AND FREE OF ANY DIRT, DUST, GRAVEL, OIL, SURFACE CHEMICALS OR OTHER CONTAMINANTS THAT MAY INTERFERE WITH OPTIMUM ADHESION. POLYGLASS RECOMMENDS AN ADHESION TEST PRIOR TO COATING APPLICATION. IF ADHESION TEST FAILS, ADDITIONAL CLEANING AND/OR PRIMING MAY BE REQUIRED

STANDARD ROOF
DRAIN DETAIL

NUMBER:
PG-SRD-004_PB
DATE:
NOVEMBER 2016



www.polyglass.com